

GEMSTONE

Solid Surface Sinks & Shower Pans



Gemstone 1812-VO



Gemstone 2213-VO



Gemstone 1507-ES & 1524-ES



Gemstone 2916-UD

ARCHITECTURAL SPECIFICATION GUIDE 2022

Gemstone's website is now mobile friendly!

www.GemstoneSS.com



Universal
Design
Models

2040 Industrial Pkwy Elkhart, IN 46516 • 574-294-8899 or 877-233-7893
sales@gemstoness.com • www.gemstoness.com

GSTECH210720

NEW MODELS 2021-2022



N3636LST
Shower Pan
36" x 36"

2 1/2" Threshold Height



4836LST
Shower Pan
48" x 36"

2 1/2" Threshold Height



6032LST-L(R)
Shower Pan
36" x 36"

2 1/2" Threshold Height



6237TD

Shower Pan

62 3/8" x 36 3/4"

1 9/16" Threshold Height



3838ETR

Shower Pan

38 1/2" x 36 3/4"

0" Threshold Height



6237ETR

Shower Pan

62 1/2" x 36 3/4"

4 1/4" Threshold Height



3660ECS

Shower Pan

36" x 60"

4 1/4" Threshold Height



3636ECS

Shower Pan

36" x 36"

4 1/4" Threshold Height



6237ECR

Shower Pan

62 1/2" x 36 3/4"

4 1/4" Threshold Height



Sink can be installed in accordance with ADAAG

NEW MODELS 2021-2022



1014-V(VO)
Vanity Bowl
14 1/4" x 10"
4 1/2" Deep



OCT1215-V(VO)
Vanity Bowl
16 1/4" x 11 7/8"
5 1/8" Deep



1215-V(VO)
Vanity Bowl
16 1/4" x 11 7/8"
5 1/8" Deep



C 1316-V
Vanity Bowl
15" x 12 1/2"
5 3/4" Deep



1514-VR(VOR)
Vanity Bowl
15 1/4" x 13 7/8"
5 1/4" Deep



2112-V(VO)
Vanity Bowl
12 5/8" x 21 5/8"
5 1/8" Deep



1616-V(VO)
Vanity Bowl
15 3/4" Diameter
5" Deep



1812-HV(HVO)
Healthcare Vanity Bowl
18" x 12 3/4"
4 1/2" Deep



1613-HV(HVO)
Healthcare Vanity Bowl
16 3/8" x 13"
5" Deep



Sink can be installed in accordance with ADAAG

Offset Vanity Drain Options



With the increased demand in the healthcare industry for offset drains in order combat infection control, Gemstone has answered the call with the most contemporary options. All of the options below are offered without an overflow model with the 1812-HVO, 1613-HVO, and 1514-VO also available with on overflow option. Gemstone is the leader in solid surface healthcare sink models.



1812-HVO (with Overflow)
1812-HV (w/o Overflow)



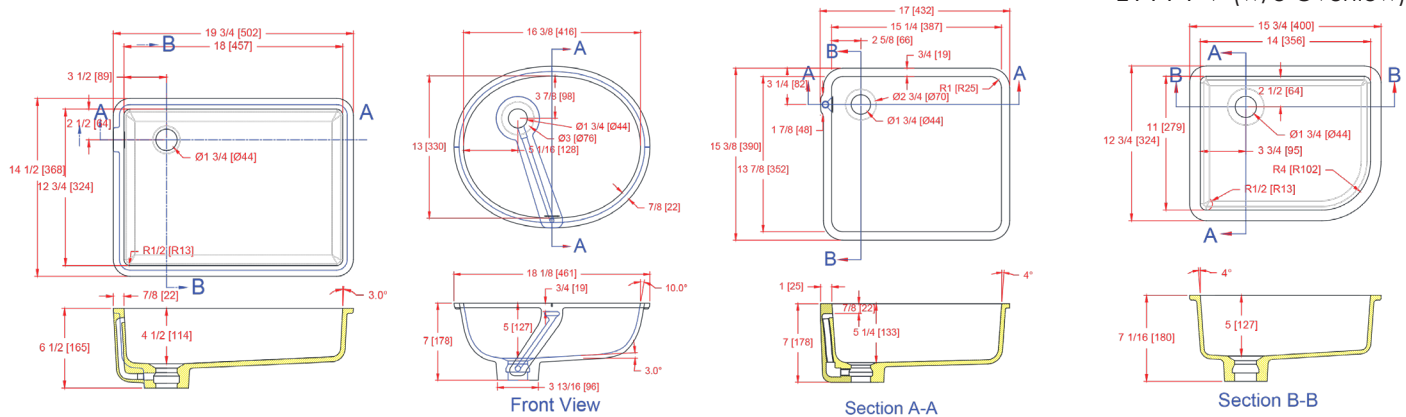
1613-HVO (with Overflow)
1613-HV (w/o Overflow)



1514-VO (with Overflow)
1514-V (w/o Overflow)



R1114-VO (with Overflow)
Shown Above
L1114-V (w/o Overflow)



Why Specify a Gemstone Vantiy with an Offset Drain?

BACKGROUND:

Pseudomonas aeruginosa has been increasingly recognized for its ability to cause significant hospital-associated outbreaks, particularly since the emergence of multidrug-resistant strains. Biofilm formation allows the pathogen to persist in environmental reservoirs. Thus, multiple hospital room design elements, including sink placement and design, can impact nosocomial transmission of *P. aeruginosa* and other pathogens.

METHODS:

From December 2004 through March 2006, 36 patients exposed to the intensive care unit or transplant units of a tertiary care hospital were infected with a multidrug-resistant strain of *P. aeruginosa*. All phenotypically similar isolates were examined for genetic relatedness by means of pulsed-field gel electrophoresis. Clinical characteristics of the affected patients were collected, and a detailed epidemiological and environmental investigation of potential sources was carried out.

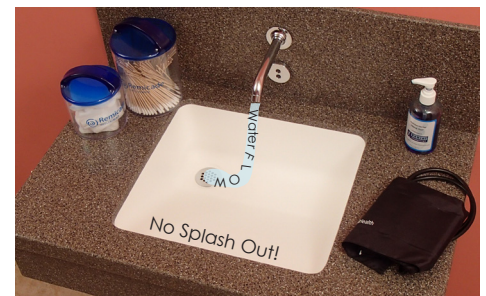
RESULTS:

Seventeen of the infected patients died within 3 months; for 12 (71%) of these patients, infection with the outbreak organism contributed to or directly caused death. The source of the outbreak was traced to hand hygiene sink drains, where biofilms containing viable organisms were found. Testing by use of a commercial fluorescent marker demonstrated that when the sink was used for handwashing, drain contents splashed at least 1 meter from the sink. Various attempts were made to disinfect the drains, but it was only when the sinks were renovated to prevent splashing onto surrounding areas that the outbreak was terminated.

CONCLUSION:

This report highlights the importance of biofilms and of sink and patient room design in the propagation of an outbreak and suggests some strategies to reduce the risks associated with hospital sinks¹

¹Hota S, Hirji Z, Stockton K, Lemieux C, Dedier H, Wolfaardt G, Gardam MA (2009, January 30) Outbreak of multidrug-resistant *Pseudomonas aeruginosa* colonization and infection secondary to imperfect intensive care unit room design. Retrieved from www.ncbi.nlm.nih.gov/pubmed/19046054



ARCHITECTURAL SPECIFICATION GUIDE 2022

Introduction: Gemstone & Product Information

Tab One: Vanity Bowls
(ADA, Universal Design, Rectangle, Round, Oval)

Tab Two: Single Bowl Kitchen Sinks
(ADA Universal Design, Standard, ES)

Tab Three: Double Bowl Kitchen Sinks
(ADA Universal Design, Standard)

Tab Four: Specialty Sinks & Bowls
(Baby Bath, Dental Bowl, Farm Sink, RV Drain Style Vanities)

Tab Five: Shower Pans
(Trench Drain, Low Standard Threshold, Roll-in Transfer Pan)

Tab Six: Technical
(Gemstone Specification, Recommended Router Bits, Care & Cleaning, Warranty)

Contact Information

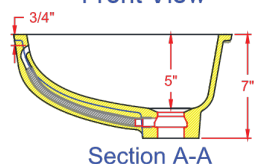
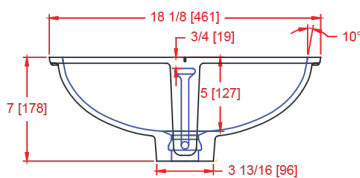
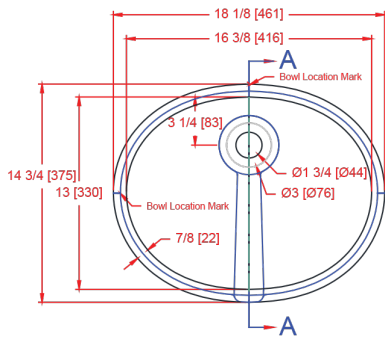
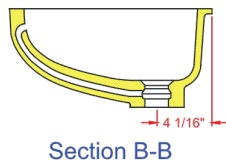
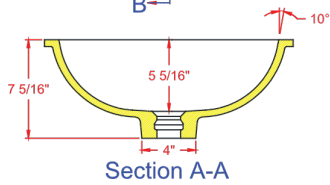
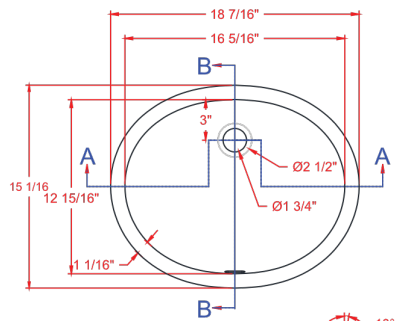
Customer Service Inside Sales: Joann Fritz

jfritz@gemstoness.com
Office: 574-294-8899

Sales Manager: Jeffrey Smith

jsmith@gemstoness.com
Cell: 520-954-1700

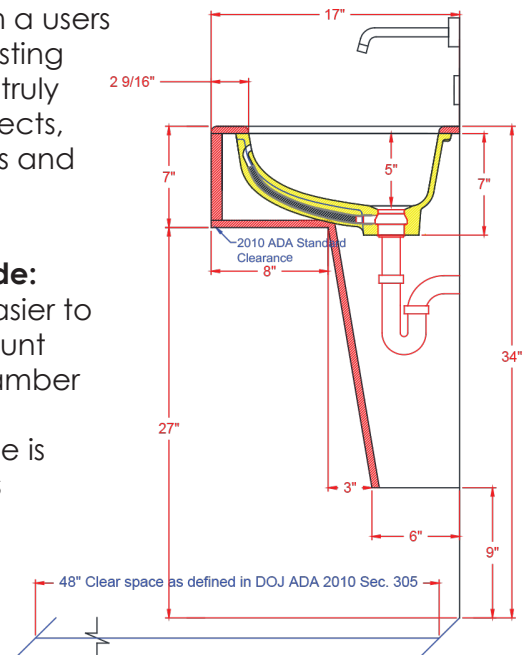




For router bit recommendations visit:
www.Gemstoness.com/Tech

Introducing the industry's first universally designed oval solid surface lavatory bowl. Over the course of time, it becomes necessary to update tooling and models to meet the needs of designers, fabricators and users. For this reason, Gemstone is taking the opportunity to improve its most popular sink model and bring it up-to-date with Universal Design in mind. While the former model will continue to offer lasting good looks and performance, the subtle changes to this updated model will simplify ADA location and fabrication issues of the past. The 5" ID (only 5/16" difference from the former model, & 1/2" different from other popular models) will allow the vanity bowl to be installed in smaller vanity tops and still easily conform to ADA standards and even allow for easy bottom-of-the-bowl cover-up! Say goodbye to headaches of the past and hello to installation ease. In addition, consistency with draft angles (10°) will allow for faster fabrication and sanding. The sink is a little lighter for easier shipping and handling, yet the overall look will remain almost identical from a users standpoint to the existing model. This sink was truly designed with architects, designers, fabricators and users in mind!

Other Features include:
 Narrower flange is easier to locate, glue and mount
 Narrow overflow chamber is sleeker & lighter
 Smooth overflow tube is preferred in hospitals



Benefits of an Integrated Overflow

Gemstone overflows:

All Gemstone vanity sink overflows are smooth and integrated, providing protection from leaks.

Often, the overflow is overlooked by specifiers and architects when selecting a vanity bowl. Make it a point to know what type of overflow is attached to the selected vanity bowl. The overflow should be smooth and integrated.

The overflow can be the source of leaks and collection point of germs and bacteria. Gemstone sinks have been designed to confront both of these potential issues with a smooth and integrated overflow system. Gemstone vanity sinks are a smart choice to protect from leaks and crud build up, and are plumber friendly!

Loose overflows:

Must be assembled in the field and are sometimes lost, or forgotten in the shop.

Are sometimes not hooked up properly creating leaks and causing call backs.

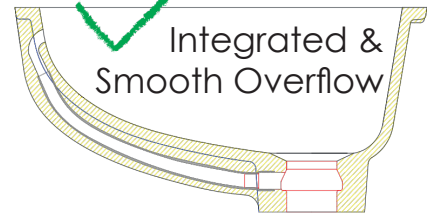
Act as handles and are often pulled on by vandals, kids, or just by accident.

Can be pulled loose from the vanity or delaminate and fall off over time creating leaks.

Corrugated overflows:

Can trap and harbor bacteria and germs in the overflow ridges which do not completely drain.

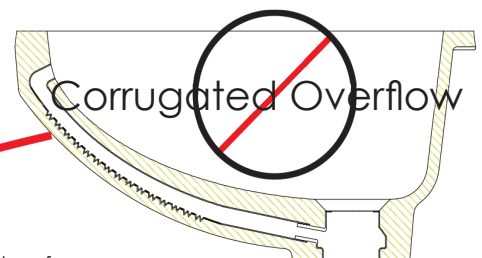
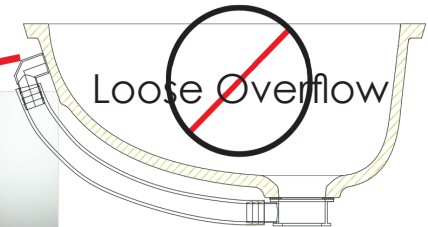
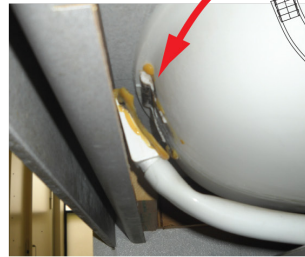
Gemstone Vanities



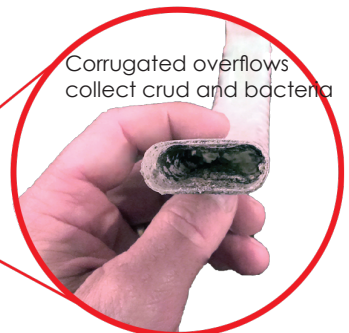
Gemstone Integrated and smooth overflows are a smart choice to protect from leaks and crud build up

Other Brands

Loose Overflows can be pulled off creating leaks



Corrugated overflows collect crud and bacteria



Why Gemstone?

Assurance. Sinks and other shaped products are often overlooked by designers and specifiers when picking surfacing materials for the countertops. However, the sinks and bowls are the focal point of the kitchen, bathroom, or laboratory area because so much of the work in the space happens there! When picking a sink, design, shape, style, function, responsible manufacturing, performance, and quality should be what drives this important decision. This is why Gemstone should be at the top of the list.

Design and Shape—Gemstone has nearly 50 models to choose from and more coming each year! Please contact Gemstone at sales@gemstoness.com for special design needs or requirements.

Style—Gemstone Solid Surface sinks are offered in a variety of colors and patterns to coordinate with any solid surface and are designed for ease of fabrication & installation as well as function.

Universal Designs—Gemstone has several Universal Designs for today's increased needs in commercial and residential environments.

Responsible Manufacturing—Gemstone supports conservation and green building practices by packaging all products in 100% recyclable packaging using boxes made primarily of recycled paper.

Performance & Certifications—Gemstone is dual listed by Home Innovation labs in the US and UL in the US and Canada (HUD UM Bulletin No. 73a & B45.5/IAPMO Z124 Z124.6). Gemstone makes the premium sink in the industry and warrants its product when used with any brand of solid surface.

Quality—Gemstone tests and maintains industry leading quality standards. Gemstone will stand behind your Gemstone purchase!

Made in America—Support America & Buy American! Gemstone sinks are made in Elkhart, IN. Visit Gemstone on-line at www.GemstoneSS.com for more technical information, specification guide, and sink design ideas.



Gemstone 1416-V

1416-V Vanity-Winter White & Kohler K-T11841-CP Purist touchless faucet with integral backplash



Gemstone 2916-UD

2916-UD Universal Design & ADA Kitchen Sink-Fashion White with K-72218-CP Sensate touchless pull down faucet & Federal Brace Arrowwood Countertop Bracket



Gemstone 2213-VO

2213-VO Baby Bath-Winter White with Kohler K72218-CP Sensate pull down touchless faucet



Gemstone Sink and Order Information

Buy American Act—Gemstone qualifies for the Buy American act because it is made in the USA.



Find a Distributor—Visit www.GemstoneSS.com and choose from one of our many distributors who is local to you or call or email Gemstone for assistance.

Lead Times—Gemstone is a manufacturer and makes sinks to order. Orders are generally made and shipped within two weeks. For rush orders, call for availability, and often, small orders can ship in one to three days upon request and need based upon color and current plant backlog.

Colors—Gemstone makes a wide range of colors. While the majority of colors chosen are “white” or “off-white,” Gemstone has the ability to match most major manufacturer’s solid colors and small particulate colors. Call your local distributor or e-mail sales@gemstone.com for Gemstone’s most popular color samples.

Drains—Kitchens Sinks: Gemstone sinks use standard 3 1/2” kitchen strainers.

Lavatory Bowls: Gemstone offers two types of drains for lavatory bowls. The most common drain (1 3/4” diameter) accepts the standard lavatory Pop-Up drain assembly. Gemstone also offers an “RV” version which has a shallow throat and requires a special “non-popup” assembly.

Note: The Gemstone 1311-S has a 2” drain and requires a bar sink drain assembly.

Overflows—Specify whether an overflow is needed or not. Gemstone offers Lavatory Bowls with, or without overflows. Part numbers that end in “VO” offer the overflow. If the part number ends in “V” only, then there is no overflow. Overflows are offered with lavatories only. Most Gemstone vanity bowl models come with an integrated overflow. Integrated overflows are preferable since they can not be pulled from the vanity bowl or be the cause of leaks.

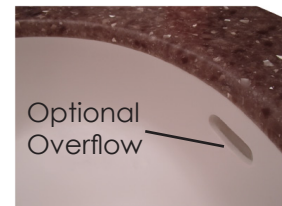
Note: Once manufactured, an overflow cannot be added or drilled out for most models.

Custom Sinks—Gemstone has the ability to help you design, engineer, manufacture and have certified custom sink designs. If you have a custom sink design, please contact Gemstone at sales@GemstoneSS.com or **877-233-7893** or your local distributor’s sales person. We will walk you through the simple process. Minimum orders, depending upon type, lead time and color range around 100 pcs. +/-.

Packaging—Gemstone packages in brown boxes made with 65%+ post consumer recycled fibers. All packaging from Gemstone is 100% recyclable including the Low density polyethylene foam pad which is comprised of 100% post-consumer waste. Four-Pack packaging is available for oval lavatory bowls.



“RV” models only
Shallow drain neck requires special drain fitting
Overflow not available on RV models



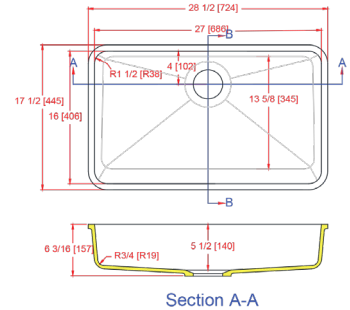
Sinks Designed with projects in mind



CUSTOM SINK PROCESS

DEVELOPMENT & DESIGN

Staff from Gemstone will work with you to determine what your sink or bowl needs are. This is the first step in the design process from which initial drawings will take place. Factors for design are: function, shape, size, depth, location, drain type, standards required, and number of units needed.



DRAWINGS

Gemstone will provide CAD drawings and layout of the requested sink or bowl design.

REVIEW & REVISE

The drawing will then be reviewed by the appropriate person (customer, architect, engineering, designer, decision maker, etc.). Appropriate changes are then made and returned.



Pre-production computer 3D rendition of 2716-US ADA kitchen sink

PRICING & COMMITMENT

Once the review is complete, pricing is settled, and a commitment can be made. Custom sink designs generally require a mandatory deposit to start mold production.

FINAL DRAWINGS & REVIEW

Upon receipt of deposit, a 3D image will be created in a Solidworks drawing. Once this is complete, accurate rendition of the shape can be thoroughly screened and analyzed with weights and all critical aspects viewed and predetermined. These drawings are reviewed and revised as required for the final time before the first mold is made.



Actual Photo of 2716-US ADA kitchen sink

MASTER MOLD PRODUCTION

Once the final review is complete, the SolidWorks Drawing is loaded into a CNC and the model piece is cut out. From the model piece, the master mold is created and a first piece is made.

FIRST PIECE REVIEW

The first piece will be reviewed by engineering to determine that all agreed upon measurements are correct and the shape was made correctly. This first piece can also be reviewed by the customer for validation.



100% Recycleable Packaging

PRODUCTION & DELIVERY

Once the first piece is reviewed and approved, production molds are made, approved, and the order is produced and delivered to agreed upon times.

Understanding ADA Requirements

Decoding the ADA laws are a bit tricky. Most people go right to section 606 of the 2010 ADA Standards for Accessible Design, look at the diagram and read the section (below). However, careful reading will reveal additional important information that much be met. The diagram is a quick reference for some important dimensions, so do not forget to reference Sections 305 (clear floor), Section 306 (knee clearance), Section 308 (reach), and Section 309 (height).

606 Lavatories and Sinks

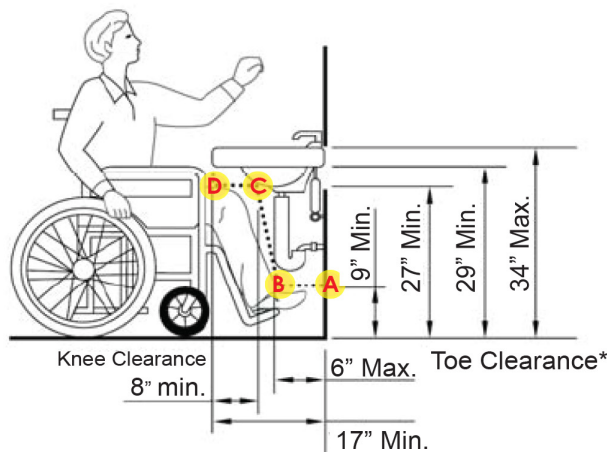
606.1 General. Lavatories and sinks shall comply with 606.

Advisory 606.1 General. If soap and towel dispensers are provided, they must be located within the reach ranges specified in 308. Locate soap and towel dispensers so that they are conveniently usable by a person at the accessible lavatory.

606.2 Clear Floor Space. A clear floor space complying with 305, positioned for a forward approach, and knee and toe clearance complying with 306 shall be provided.

EXCEPTIONS: 1. The dip of the overflow shall not be considered in determining knee and toe clearances.

606.3 Height. Lavatories and sinks shall be installed with the front of the higher of the rim or counter surface 34 inches (865 mm) maximum above the finish floor.



Note:

While the minimum counter is 17", the maximum usable countertop for ADA is 25". This does not mean that a larger top cannot be made ADA compliant. It means that anything required for accessibility, (soap dispenser, faucet, towel rack) must be located in that range and must also conform to Section 308 reach.

Determining sink and vanity location should be done in this step order:

1. Identify the 48" clear floor space that must reach under the accessible counter. This space must reach in a minimum 17" and a maximum 25" under the counter. Again, the counter can be bigger than these dimensions, but all accessible items must then fall into that "reach zone."
2. From the back of the countertop, where the clear floor space reaches under the counter top, the reach zone and toe clearance are now defined. From that point, there must be minimum 9" clearance **A** and a maximum 6" **B** clearance from the wall or line defined by the clearfloor space (which is not necessarily the wall, but often is.)
3. From point **B**, a point should be plotted with a 3" x 18" slope to point **C**. This is a set slope. A common mistake is not understanding step 1 and step 2 and just using the 8" minimum and and running that point to **B**. This actually cuts into the knee clearance and is wrong. The 3" x 18" slope must be observed and the remaining space to point **D** is now a set dimension. The points must be plotted in order, **A** to **B** to **C** to **D**. **8" is the minimum and only seen on a 17" accessible top (17" minus 6" (toe space) minus 3" (slope for knee clearance) = 8"). If the accessible space is 18", then 9" would become the minimum for that top if the 48" clearance reached to the wall (18" - 6" - 3" = 9").**

Understanding ADA Requirements

How does this relate specifically to sinks? It is important to realize that sinks are not ADA certified. It is the responsibility of the fabricator and installer to use compliant products specified by the architect, and fabricate and install them correctly. Understanding these steps will help to ensure compliance.

Below is a review of the important sections to know as written in the guidelines.

Section 305 -Clear Floor
Section 308 -Reach

Section 306 -Knee Clearance
Section 309 -Height

305 Clear Floor or Ground Space

305.3 Size. The clear floor or ground space shall be 30 inches (760 mm) minimum by 48 inches (1220 mm) minimum.

Figure 305.3 Clear Floor or Ground Space

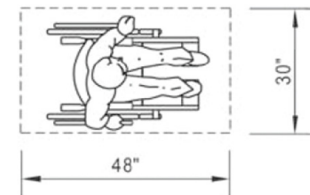


Figure 305.3 Clear Floor or Ground Space

305.4 Knee and Toe Clearance. Unless otherwise specified, clear floor or ground space shall be permitted to include knee and toe clearance complying with 306.

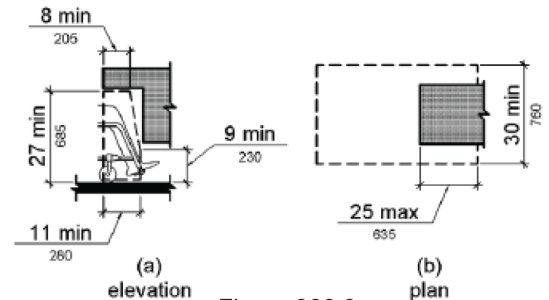


Figure 306.3
Knee Clearance

306.3 Knee Clearance.

306.3.1 General. Space under an element between 9 inches (230 mm) and 27 inches (685 mm) above the finish floor or ground shall be considered knee clearance and shall comply with 306.3.

306.3.2 Maximum Depth. Knee clearance shall extend 25 inches (635 mm) maximum under an element at 9 inches (230 mm) above the finish floor or ground.

306.3.3 Minimum Required Depth. Where knee clearance is required under an element as part of a clear floor space, the knee clearance shall be 11 inches (280 mm) deep minimum at 9 inches (230 mm) above the finish floor or ground, and 8 inches (205 mm) deep minimum at 27 inches (685 mm) above the finish floor or ground.

306.3.4 Clearance Reduction. Between 9 inches (230 mm) and 27 inches (685 mm) above the finish floor or ground, the knee clearance shall be permitted to reduce at a rate of 1 inch (25 mm) in depth for each 6 inches (150 mm) in height.

306.3.5 Width. Knee clearance shall be 30 inches (760 mm) wide minimum.

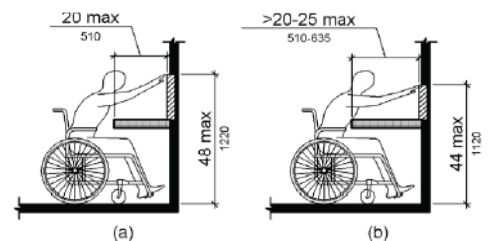


Figure 308.2.2 Obstructed High Forward Reach

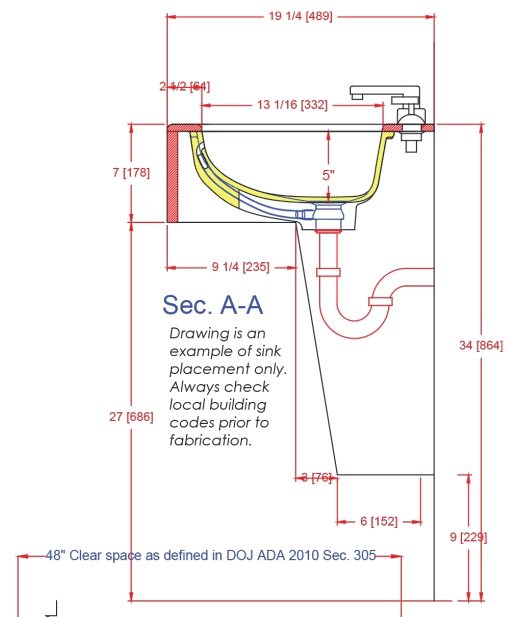
308.2 Forward Reach.

308.2.2 Obstructed High Reach. Where a high forward reach is over an obstruction, the clear floor space shall extend beneath the element for a distance not less than the required reach depth over the obstruction. The high forward reach shall be 48 inches (1220 mm) maximum where the reach depth is 20 inches (510 mm) maximum. Where the reach depth exceeds 20 inches (510 mm), the high forward reach shall be 44 inches (1120 mm) maximum and the reach depth shall be 25 inches (635 mm) maximum.

309.3 Height. Operable parts shall be placed within one or more of the reach ranges specified in 308.

606.4 Faucets. Controls for faucets shall comply with 309. Hand-operated metering faucets shall remain open for 10 seconds minimum.

For further information or questions, access the 2010 ADA Standards for Accessible Design at www.ada.gov, or contact: Gemstone at 877-233-7893 or 520-954-1700



New 1613-HVO Vanity placement example

Compact Design



1014-V (VO)

I.D.: 14 1/4" x 10" (362 x 254)
Depth 4 1/2"* (114)
(Specify Overflow)

OCT 1215-V (VO)

I.D.: 16 1/4" x 11 7/8" (413 x 302)
Depth 5 1/8"* (131)
(Specify Overflow)

1215-V (VO)

I.D.: 16 1/4" x 11 7/8" (413 x 302)
Depth 5 1/8"* (131)
(Specify Overflow)

C 1316-V

I.D.: 15" x 12 1/2" (352 x 318)
Depth 5 3/4"* (146)
(No Overflow Design Only)

Universal Design



1313-V (VO)

I.D.: 13" Diameter (324)
Depth 5"* (127)
(Specify Overflow)

1414-UV (UVO)

I.D.: 14 3/16" Diameter (360)
Depth 3 3/8"* (85)
(Specify Overflow)

1616-V (VO)

I.D.: 15 3/4" Diameter (400)
Depth 5"* (127)
(Specify Overflow)

1812-UV (UVO)

I.D.: 18" x 12 3/4" (457 x 323)
Depth 5"* (127)
(Specify Overflow)

1812-HVO

I.D.: 18" x 12 3/4" (457 x 323)
Depth 4 1/2"* (114)
(Specify Overflow)

Healthcare Designs



1711-UV (UVO)

I.D.: 17 3/4" x 10 13/16" (451 x 274)
Depth 5"* (127)
(Specify Overflow)

1512-V (VO-ADA)

I.D.: 15 1/2" x 12 5/8" (394 x 321)
Depth 4 1/4"* (108)
(Side Overflow)

1613-UV (UVO)

I.D.: 16 5/16" x 13" (416 x 330)
Depth 5"* (127)
(Specify Overflow)

1613-HVO

I.D.: 16 3/8" x 13" (416 x 330)
Depth 5"* (127)
(Specify Overflow)

Rectangle Designs



1514-VR(VOR)

I.D.: 15 1/4" x 13 7/8" (387 x 352)
Depth 5 1/4"* (133)
(Specify Overflow)

1514-VO-ADA

I.D.: 15 1/4" x 13 7/8" (387 x 352)
Depth 5 1/4"* (133)
(Side Overflow)

1514-V-ADA

I.D.: 15 1/4" x 13 7/8" (387 x 352)
Depth 5 1/4"* (133)
(No Overflow)

1416-V

I.D.: 14" x 16" (405 x 356)
Depth 5 1/4"* (133)
(No Overflow Design Only)

Rectangle Designs



1513-V (VO)

I.D.: 15" x 13" (381 x 330)
Depth 5** (127)
(Specify Overflow)



1518-V

I.D.: 15" x 18" (457 x 381)
Depth 5 1/4** (133)
(No Overflow Design Only)



1814-EV (EVO)

I.D.: 17 3/4" x 14" (450 x 355)
Depth 3 1/8** (79)
(Side Overflow)



1814-V (VO)

I.D.: 17 3/4" x 14" (450 x 355)
Depth 5** (124)
(Specify Overflow)

Oval Designs



1410-V (VO)

I.D.: 14 1/4" x 10 5/16" (362 x 262)
Depth 5** (127)
(Specify Overflow)



1612-V (VO)

I.D.: 15 13/16" x 11 13/16" (402 x 300)
Depth 5** (127)
(Specify Overflow)



1613-VSO

I.D.: 16 5/16" x 13" (418 x 331)
Depth 5 5/16** (137)
(Side Overflow)



1914-V (VO)

I.D.: 18 7/8" x 13 5/8" (479 x 346)
Depth 6** (152)
(Specify Overflow)

Healthcare Designs



1217-V (VO)

I.D.: 17 7/8" x 11 15/16" (454 x 303)
Depth 5 11/16** (145)
(Specify Overflow)



1712-V (VO)

I.D.: 17 7/8" x 11 15/16" (454 x 303)
Depth 5 11/16** (145)
(Specify Overflow)



2112-V (VO)

I.D.: 12 5/8" x 21 5/8" (320 x 550)
Depth 5 1/8** (131)
(Specify Overflow)

Healthcare Designs



L1114-V

I.D.: 14" x 11" (356 x 279)
Depth 5** (127)
(No Overflow)



R1114-V

I.D.: 14" x 11" (356 x 279)
Depth 5** (127)
(No Overflow)



RT1710-V (VO)

I.D.: 15 3/4" x 9 7/8" (400 x 251)
Depth 4 1/2** (114)
(Specify Overflow)

1014-VO Vanity Sink

(Overflow Model)

I.D.: 14 1/4" x 10" (362 mm x 254 mm)

Depth: 4 1/2"* (114 mm)

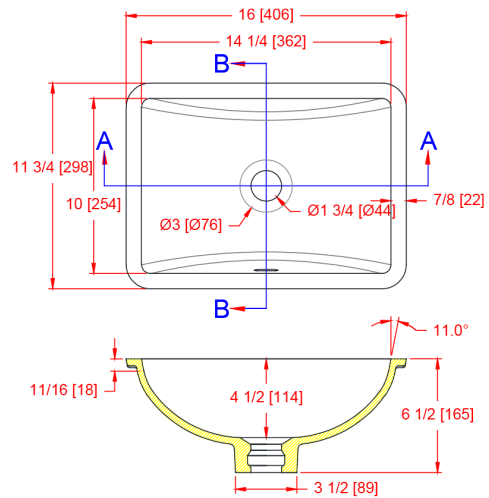
*Depth does not include counter top thickness



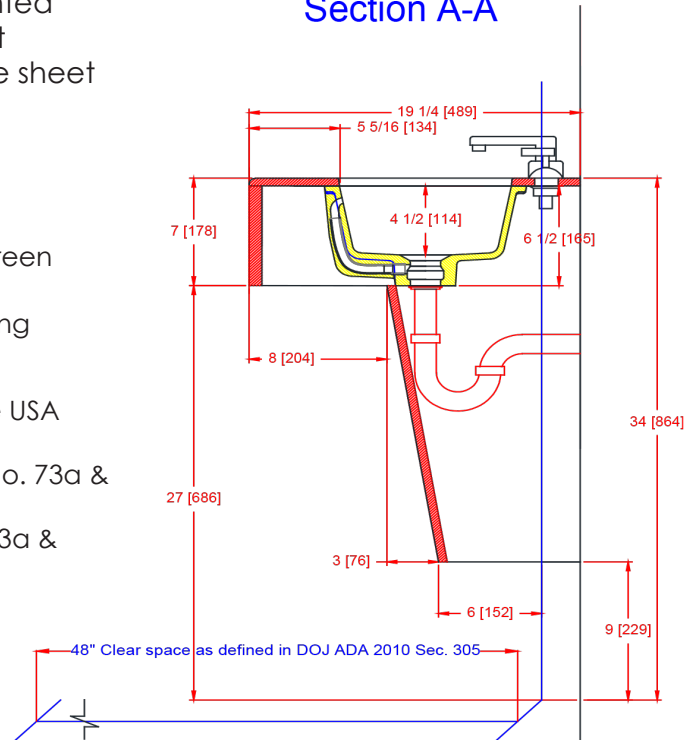
The Gemstone 1014-VO lavatory bowl is part of Gemstone's commitment to design that is appealing to all. Design, function, performance are critical for today's architects, designers and homeowners. The

1014-VO is ideal for all applications, residential, clinical, commercial, restaurants and laboratories but was specifically designed for narrow vanity cabinets or applications where space is a premium. The 1014-VO has a smooth overflow tube which maximizes infection control in hospital applications in a bowl requiring an overflow.

Gemstone Sinks are compatible and warranted when used with all major solid surface sheet brands (acrylic and polyester) with the same sheet warranties.



Section A-A



Gemstone supports conservation and green building practices. Gemstone Packages all products in 100% recyclable packaging using boxes made primarily of recycled paper.



Gemstone sinks are proudly made in the USA and certified by:

Home Innovation Lab (NAHB): HUD UM Bulletin No. 73a & (B45.5/IAPMO Z124 Z124.6)

UL in the US and Canada: HUD UM Bulletin No. 73a & (B45.5/IAPMO Z124 Z124.6)



For router bit recommendations visit:

www.Gemstoness.com/tech

1014-V Vanity Sink

(No Overflow Model)

I.D.: 14 1/4" x 10" (362 mm x 254 mm)

Depth: 4 1/2"* (114 mm)

*Depth does not include counter top thickness



The Gemstone 1014-V lavatory bowl is part of Gemstone's commitment to design that is appealing to all. Design, function, performance are critical for today's architects, designers and homeowners.

The 1014-V is ideal for all applications, residential, clinical, commercial, restaurants and laboratories but was specifically designed for narrow vanity cabinets or applications where space is a premium. The 1014-VO is also available and has a smooth overflow tube which maximizes infection control in hospital applications in a bowl requiring an overflow.

Gemstone Sinks are compatible and warranted when used with all major solid surface sheet brands (acrylic and polyester) with the same sheet warranties.

Gemstone supports conservation and green building practices. Gemstone Packages all products in 100% recyclable packaging using boxes made primarily of recycled paper.

Gemstone sinks are proudly made in the USA and certified by:

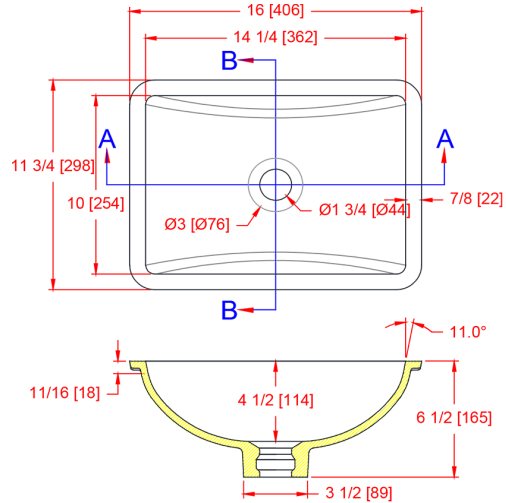
Home Innovation Lab (NAHB): HUD UM Bulletin No. 73a & (B45.5/IAPMO Z124 Z124.6)

UL in the US and Canada: HUD UM Bulletin No. 73a & (B45.5/IAPMO Z124 Z124.6)

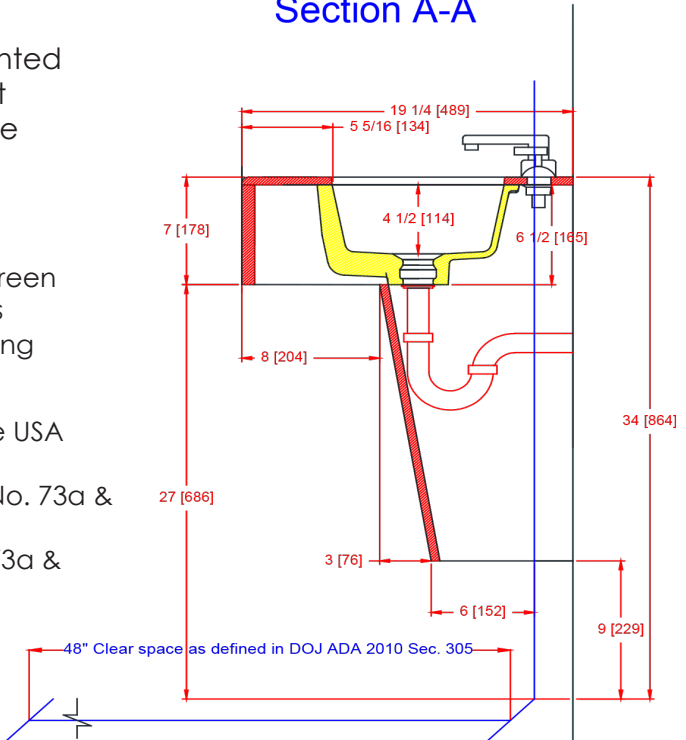


For router bit recommendations visit:

www.Gemstoness.com/tech




Section A-A



OCT 1215-VO Vanity Sink

(Overflow Model)

I.D.: 16 1/4" x 11 7/8" (413 mm x 302 mm)	 ADA Compliant
Depth: 5 1/8"* (131 mm)	
*Depth does not include counter top thickness	



The Gemstone OCT1215-VO Octagon lavatory bowl is part of Gemstone's commitment to design that is appealing to all. Design, function, performance are critical for today's architects, designers and homeowners. The OCT1215-VO is ideal for all

applications, residential, clinical, commercial, restaurants and laboratories but was specifically designed for corner vanity application or for narrow or space limited applications where the faucet needs to be turned due to lack of space behind the vanity bowl. The depth of the bowl allows for ADA applications all the way to 17" depths, something most bowls can not do. The OCT1512-VO has a smooth overflow tube which maximizes infection control in hospital applications in a bowl requiring an overflow.

Gemstone Sinks are compatible and warranted when used with all major solid surface sheet brands (acrylic and polyester) with the same sheet warranties.



Gemstone supports conservation and green building practices. Gemstone Packages all products in 100% recyclable packaging using boxes made primarily of recycled paper.



Gemstone sinks are proudly made in the USA and certified by:

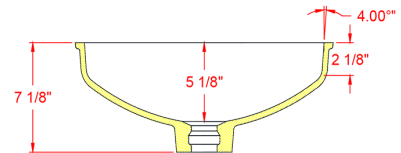
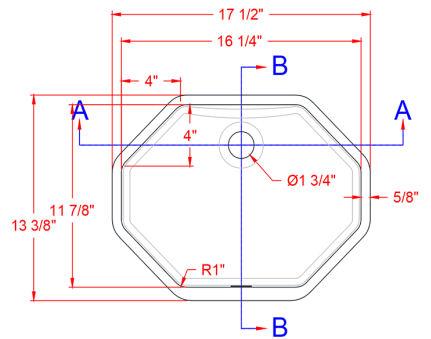
Home Innovation Lab (NAHB): HUD UM Bulletin No. 73a & (B45.5/IAPMO Z124 Z124.6)

UL in the US and Canada: HUD UM Bulletin No. 73a & (B45.5/IAPMO Z124 Z124.6)

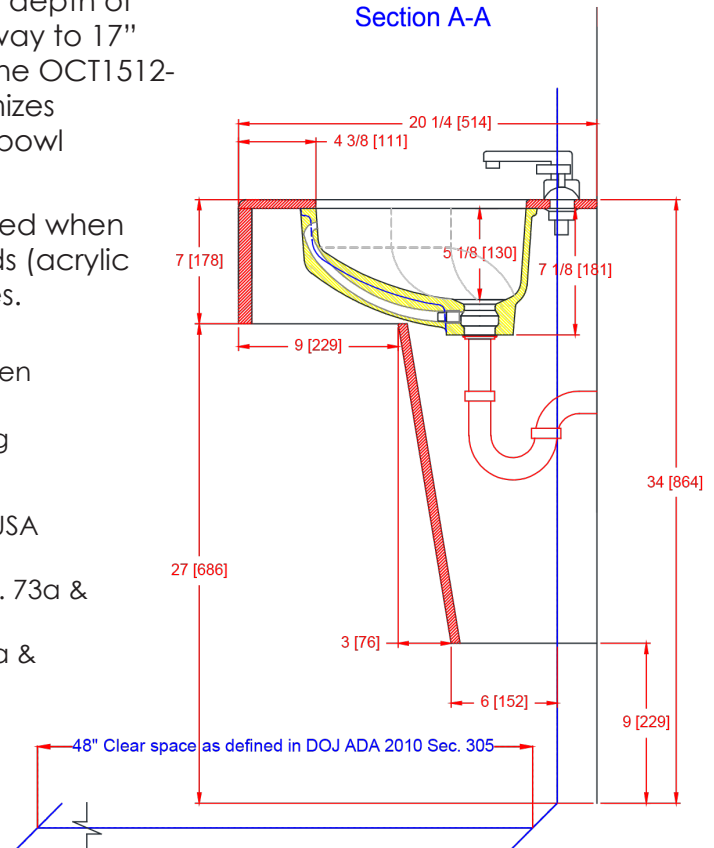


For router bit recommendations visit:

www.Gemstoness.com/tech




Section A-A



OCT 1215-V Vanity Sink

(No Overflow Model)


I.D.: 16 1/4" x 11 7/8" (413 mm x 302 mm)	 ADA Compliant
Depth: 5 1/8"* (131 mm)	
*Depth does not include counter top thickness	




The Gemstone OCT1215-V Octagon lavatory bowl is part of Gemstone's commitment to design that is appealing to all. Design, function, performance are critical for today's architects, designers and homeowners. The OCT1215-V is ideal

for all applications, residential, clinical, commercial, restaurants and laboratories but was specifically designed for corner vanity application or for narrow or space limited applications where the faucet needs to be turned due to lack of space behind the vanity bowl. The depth of the bowl allows for ADA applications all the way to 17" depths, something most bowls can not do. The OCT1215-V has a smooth overflow tube which maximizes infection control in hospital applications in a bowl requiring an overflow.

Gemstone Sinks are compatible and warranted when used with all major solid surface sheet brands (acrylic and polyester) with the same sheet warranties.

 Gemstone supports conservation and green building practices. Gemstone Packages all products in 100% recyclable packaging using boxes made primarily of recycled paper.

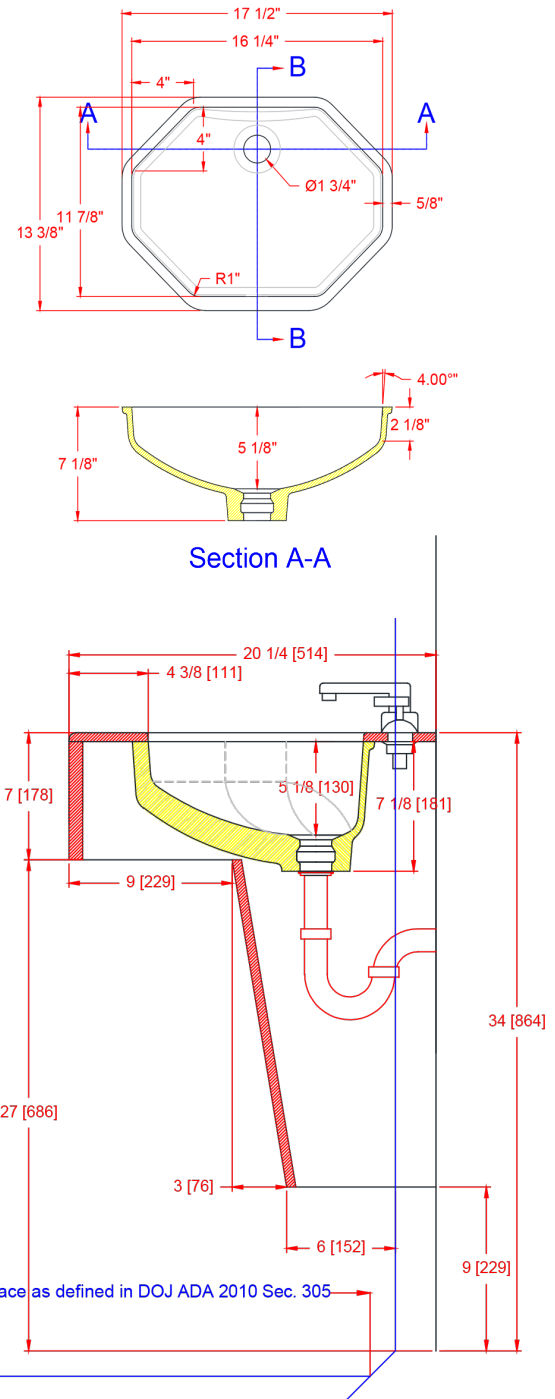
 Gemstone sinks are proudly made in the USA and certified by:

Home Innovation Lab (NAHB): HUD UM Bulletin No. 73a & (B45.5/IAPMO Z124 Z124.6)

UL in the US and Canada: HUD UM Bulletin No. 73a & (B45.5/IAPMO Z124 Z124.6)




For router bit recommendations visit:
www.Gemstoness.com/tech



1215-VO Vanity Sink

(Overflow Model)


I.D.: 16 1/4" x 11 7/8" (413 mm x 302 mm)
 Depth: 5 1/8"* (131 mm)
 *Depth does not include counter top thickness





The Gemstone 1215-VO lavatory bowl is part of Gemstone's commitment to design that is appealing to all. Design, function, performance are critical for today's architects, designers and homeowners. The 1215-VO is ideal

for all applications, residential, clinical, commercial, restaurants and laboratories. The depth of the bowl allows for ADA applications all the way to 17" depths, something most bowls can not do. The 1215-VO has a smooth overflow tube which maximizes infection control in hospital applications in a bowl requiring an overflow.

Gemstone Sinks are compatible and warranted when used with all major solid surface sheet brands (acrylic and polyester) with the same sheet warranties.



Gemstone supports conservation and green building practices. Gemstone Packages all products in 100% recyclable packaging using boxes made primarily of recycled paper.



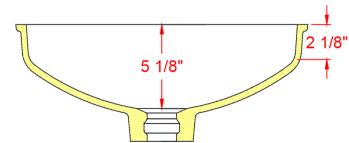
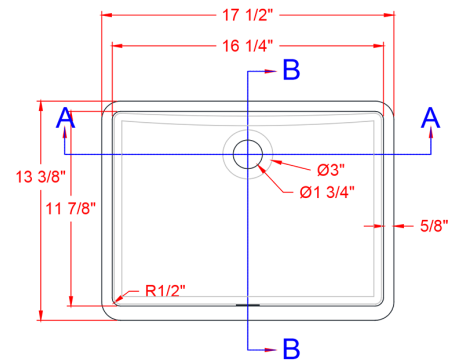
Gemstone sinks are proudly made in the USA and certified by:

Home Innovation Lab (NAHB): HUD UM Bulletin No. 73a & (B45.5/IAPMO Z124 Z124.6)

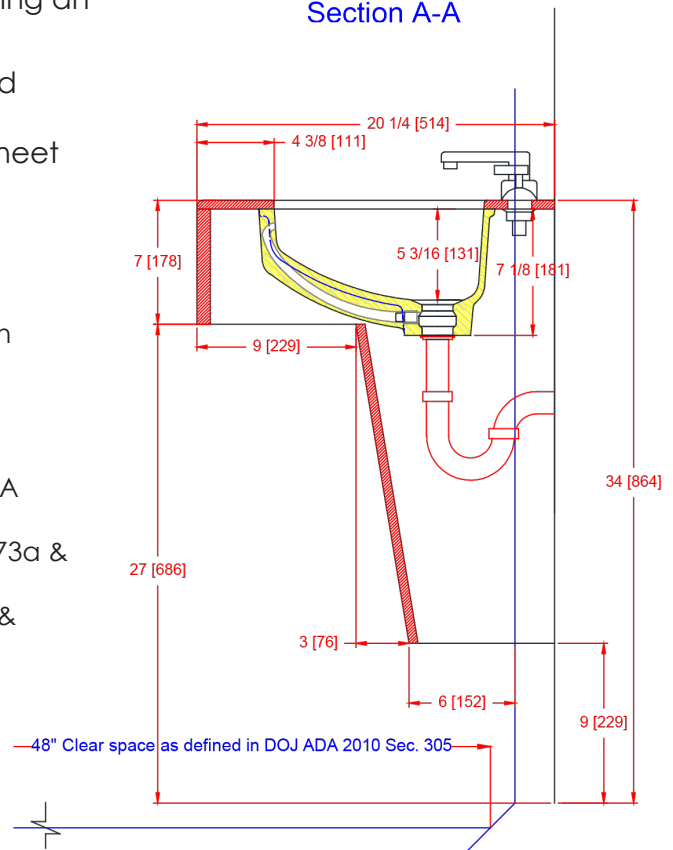
UL in the US and Canada: HUD UM Bulletin No. 73a & (B45.5/IAPMO Z124 Z124.6)



For router bit recommendations visit:
www.Gemstoness.com/tech



Section A-A



1215-V Vanity Sink

(No Overflow Model)

I.D.: 16 1/4" x 11 7/8" (413 mm x 302 mm)
 Depth: 5 1/8"* (131 mm)
 *Depth does not include counter top thickness



The Gemstone 1215-V lavatory bowl is part of Gemstone's commitment to design that is appealing to all. Design, function, performance are critical for today's architects, designers and homeowners. The 1215-V is ideal

for all applications, residential, clinical, commercial, restaurants and laboratories. The depth of the bowl allows for ADA applications all the way to 17" depths, something most bowls can not do. The 1215-V has a smooth overflow tube which maximizes infection control in hospital applications in a bowl requiring an overflow.

Gemstone Sinks are compatible and warranted when used with all major solid surface sheet brands (acrylic and polyester) with the same sheet warranties.



Gemstone supports conservation and green building practices. Gemstone Packages all products in 100% recyclable packaging using boxes made primarily of recycled paper.



Gemstone sinks are proudly made in the USA and certified by:

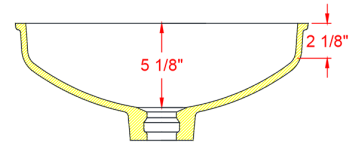
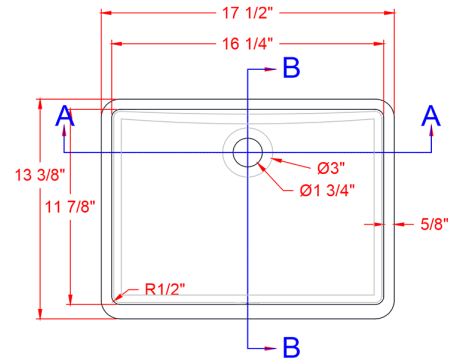
Home Innovation Lab (NAHB): HUD UM Bulletin No. 73a & (B45.5/IAPMO Z124 Z124.6)

UL in the US and Canada: HUD UM Bulletin No. 73a & (B45.5/IAPMO Z124 Z124.6)

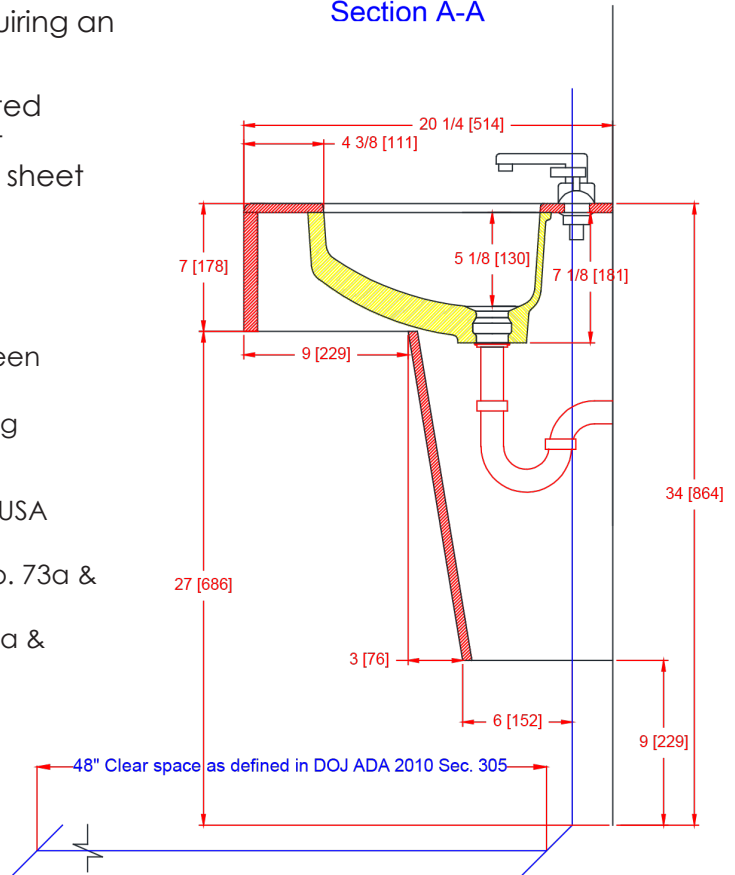


For router bit recommendations visit:

www.gemstoness.com/tech



Section A-A



C1316-V Vanity Sink

(Covered Drain/No Overflow Model)

I.D.: 15" x 12 1/2" (352 mm x 318 mm)

Depth: 5 3/4"* (146 mm)

*Depth does not include counter top thickness



Sink with drain cover



Sink without drain cover

The C1316-V vanity sink allow for a covered drain. The sink is provided without the cover and either a Gemstone can provide a matching cover cover plate, or the fabricator can create a 1/2" coverplate from the countertop material. The water is able to drain around the edges of the plate.

Design, function, and performance are critical for today's architects, designers and homeowners along with the ease of installation, especially when conforming to ADA standards. The C1316-V is ideal for all applications, residential, clinical, commercial, restaurants and laboratories.

The depth of the bowl allows for ADA applications all the way to 17", something most bowls can not do. The C1316-V is only available without an overflow. A standard pop-up drain or grid strainer can be used.

Gemstone Sinks are compatible and warranted when used with all major solid surface sheet brands (acrylic and polyester) with the same sheet warranties.



Gemstone supports conservation and green building practices. Gemstone Packages all products in 100% recyclable packaging using boxes made primarily of recycled paper.



Gemstone sinks are proudly made in the USA and certified by:

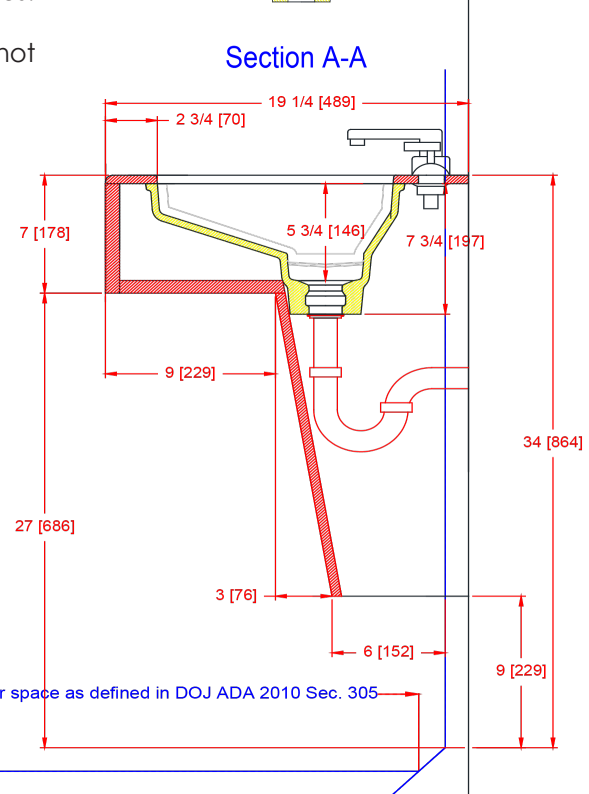
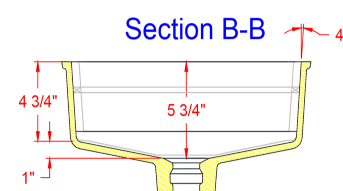
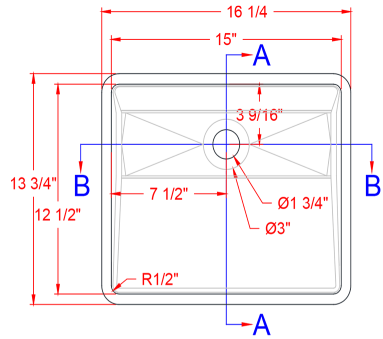
Home Innovation Lab (NAHB): HUD UM Bulletin No. 73a & (B45.5/IAPMO Z124 Z124.6)

UL in the US and Canada: HUD UM Bulletin No. 73a & (B45.5/IAPMO Z124 Z124.6)



For router bit recommendations visit:

www.Gemstoness.com/tech



1313-VO Universal Vanity Sink

(Overflow Model)

I.D.: 12 3/4" diameter (324 mm)
 Depth: 5"* (127 mm)
 *Depth does not include counter top thickness



The Gemstone 13" Diameter Round Universal Design lavatory bowl is part of Gemstone's commitment to design that is appealing to all. Design, function, and performance are critical for today's architects, designers and homeowners

along with the ease of installation, especially when conforming to ADA standards. The 1313-VO is ideal for all applications, residential, clinical, commercial, restaurants and laboratories. The depth of the bowl allows for ADA applications all the way to 17", something most bowls can not do. The 1313-VO has a smooth overflow tube which minimizes infection control in hospital applications.

Gemstone Sinks are compatible and warranted when used with all major solid surface sheet brands (acrylic and polyester) with the same sheet warranties.

Gemstone supports conservation and green building practices. Gemstone Packages all products in 100% recyclable packaging using boxes made primarily of recycled paper.

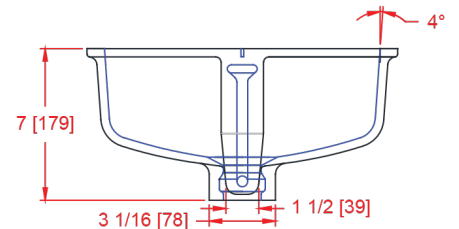
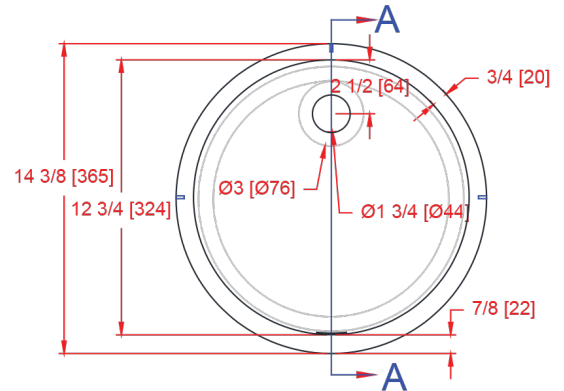
Gemstone sinks are proudly made in the USA and certified by:

Home Innovation Lab (NAHB): HUD UM Bulletin No. 73a & (B45.5/IAPMO Z124 Z124.6)

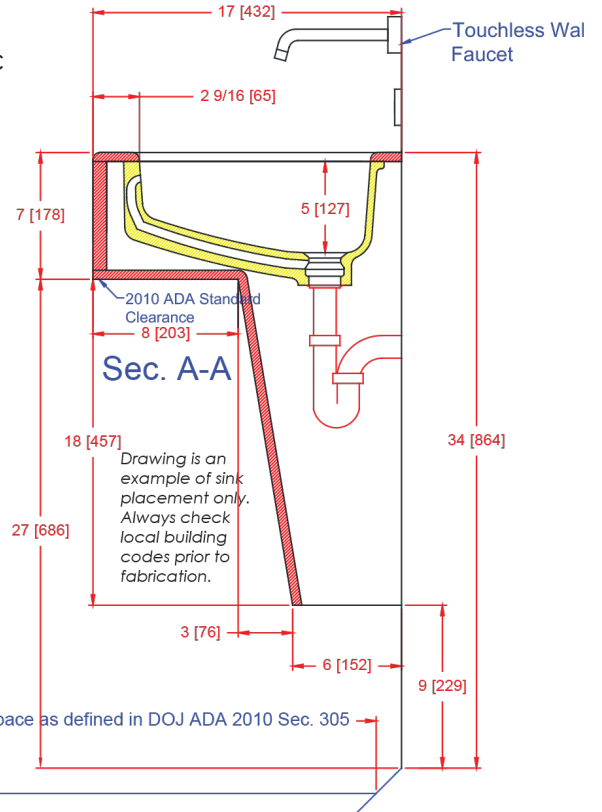
UL in the US and Canada: HUD UM Bulletin No. 73a & (B45.5/IAPMO Z124 Z124.6)



For router bit recommendations visit:
www.Gemstoness.com/tech



Front View



48" Clear space as defined in DOJ ADA 2010 Sec. 305

1313-V Universal Vanity Sink

(No Overflow Model)

I.D.: 12 3/4" diameter (324 mm)
 Depth: 5"* (127 mm)
 *Depth does not include counter top thickness



The Gemstone 13" Diameter Round Universal Design lavatory bowl is part of Gemstone's newest commitment to design that is appealing to all. Design, function, and performance are critical for today's architects, designers and

homeowners along with the ease of installation, especially when conforming to ADA standards. The 1313-V is ideal for all applications, residential, clinical, commercial, restaurants and laboratories. The depth of the bowl allows for ADA applications all the way to 17" tops, something most bowls can not do. The 1313-V does not have an overflow tube.

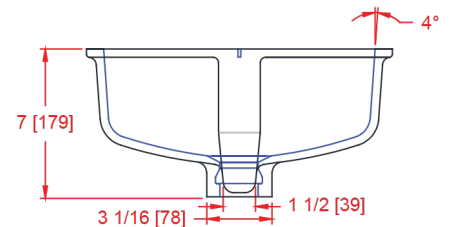
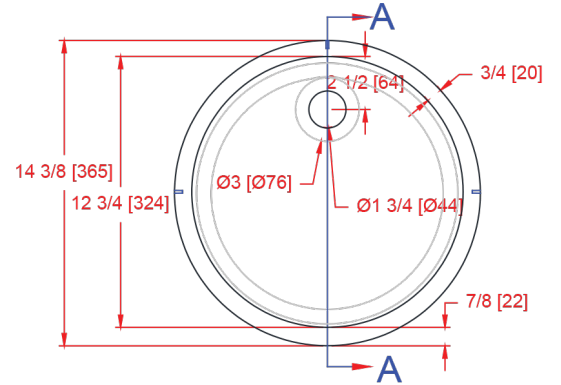
Gemstone Sinks are compatible and warranted when used with all major solid surface sheet brands (acrylic and polyester) with the same sheet warranties.

Gemstone supports conservation and green building practices. Gemstone Packages all products in 100% recyclable packaging using boxes made primarily of recycled paper.

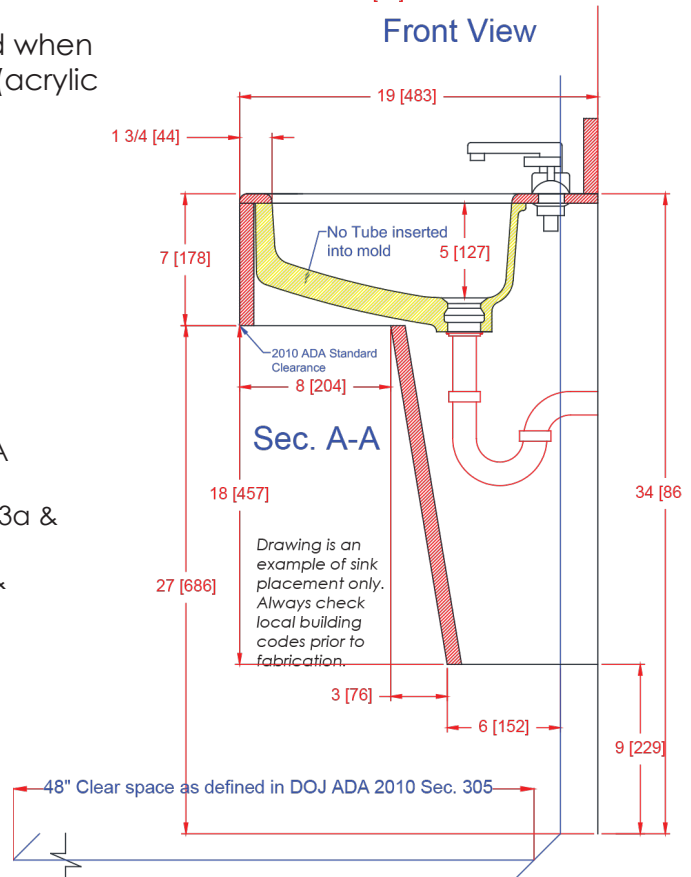
Gemstone sinks are proudly made in the USA and certified by:
Home Innovation Lab (NAHB): HUD UM Bulletin No. 73a & (B45.5/IAPMO Z124 Z124.6)
UL in the US and Canada: HUD UM Bulletin No. 73a & (B45.5/IAPMO Z124 Z124.6)



For router bit recommendations visit:
www.Gemstoness.com/tech



Front View



1414-UVO Universal Vanity Sink

(Rear Integrated Overflow Model)

I.D.: 14 3/16" diameter (360 mm)

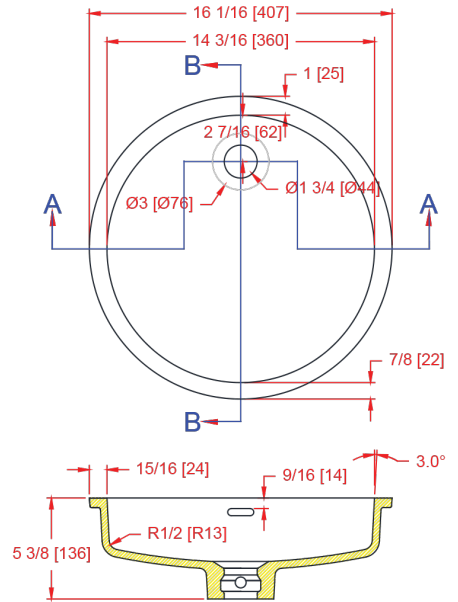
Depth: 3 3/8"* (85 mm)

*Depth does not include counter top thickness



The Gemstone 14 3/16" Diameter Round Universal Design lavatory was designed with everyone in mind. Design, function, and performance are critical for today's architects, and designers along with the ease of installation, especially when

conforming to disability standards in the US, Canada and Europe. The 1414-UVO is ideal for all applications, residential, clinical, commercial, restaurants and laboratories. The depth of the bowl allows for disability applications in nearly all applications, including the AODC in Ontario. The 1414-UVO has a rear, smooth integrated overflow tube and is also available without an overflow tube (model no. 1414UV).



Section A-A

Gemstone Sinks are compatible and warranted when used with all major solid surface sheet brands (acrylic and polyester) with the same sheet warranties.



Gemstone supports conservation and green building practices. Gemstone Packages all products in 100% recyclable packaging using boxes made primarily of recycled paper.



Gemstone sinks are proudly made in the USA and certified by:

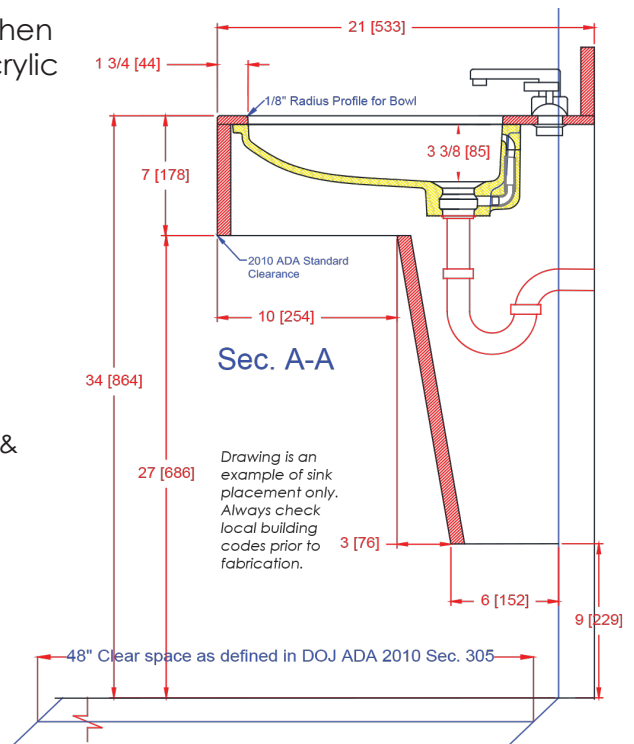
Home Innovation Lab (NAHB): HUD UM Bulletin No. 73a & (B45.5/IAPMO Z124 Z124.6)

UL in the US and Canada: HUD UM Bulletin No. 73a & (B45.5/IAPMO Z124 Z124.6)



For router bit recommendations visit:

www.Gemstoness.com/tech



1414-UV Universal Vanity Sink

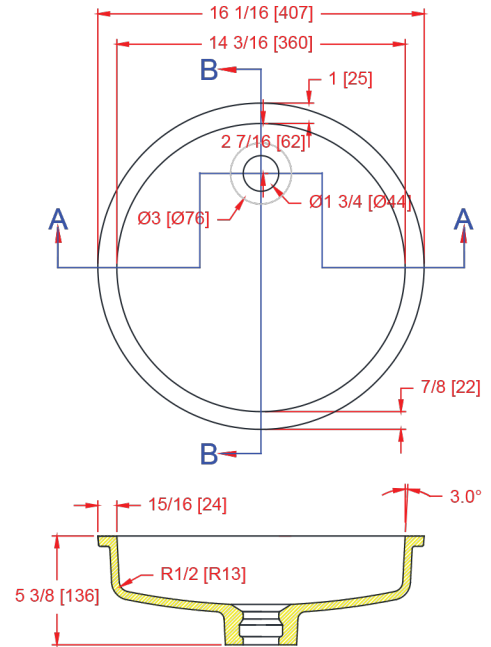
(No Overflow Model)

I.D.: 14 3/16" diameter (360 mm)
 Depth: 3 3/8"* (85 mm)
 *Depth does not include counter top thickness



The Gemstone 14 3/16" Diameter Round Universal Design lavatory was designed with everyone in mind. Design, function, and performance are critical for today's architects, and designers along with the ease of installation, especially when

conforming to disability standards in the US, Canada and Europe. The 1414-UV is ideal for all applications, residential, clinical, commercial, restaurants and laboratories. The depth of the bowl allows for disability applications in nearly all applications, including the AODC in Ontario. The 1414-UV does not have an overflow tube and is available with an integrated overflow tube option (model no. 1414-UVO).



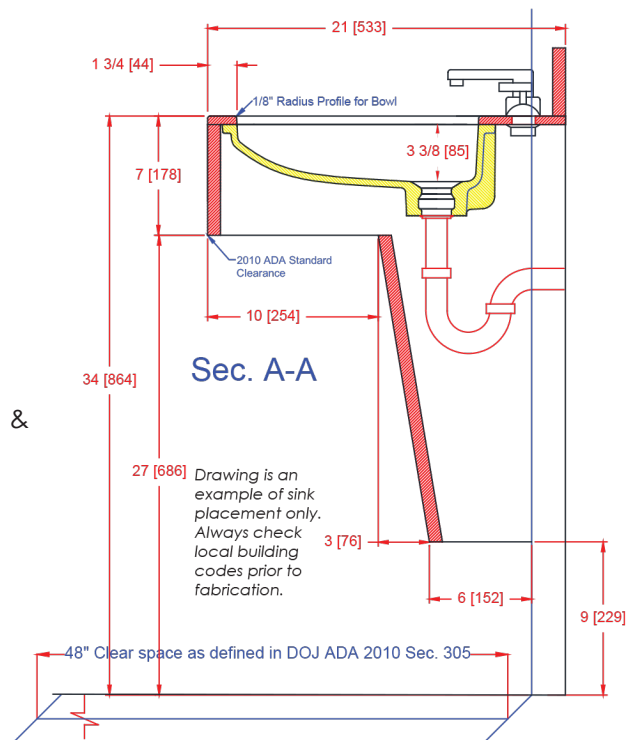
Section A-A

Gemstone supports conservation and green building practices. Gemstone Packages all products in 100% recyclable packaging using boxes made primarily of recycled paper.

Gemstone sinks are proudly made in the USA and certified by:
Home Innovation Lab (NAHB): HUD UM Bulletin No. 73a & (B45.5/IAPMO Z124 Z124.6)
UL in the US and Canada: HUD UM Bulletin No. 73a & (B45.5/IAPMO Z124 Z124.6)



For router bit recommendations visit:
www.Gemstoness.com/tech



1616-VO Universal Vanity Sink

(Overflow Model)

I.D.: 15 3/4" diameter (400 mm)
 Depth: 5" (127 mm)
 *Depth does not include counter top thickness



The Gemstone 14 3/4" Diameter Round Universal Design lavatory bowl is part of Gemstone's commitment to design that is appealing to all. Designed with healthcare providers in mind, design, function, and performance are critical providing

today's architects, and installers the ease of installation while conforming to today's ADA standards. The 1616-VO is ideal for all applications, residential, clinical, commercial, restaurants and laboratories. The depth of the bowl allows for easy ADA applications. The 1616-VO has a smooth overflow tube which minimizes infection control in hospital applications.

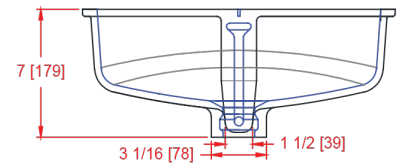
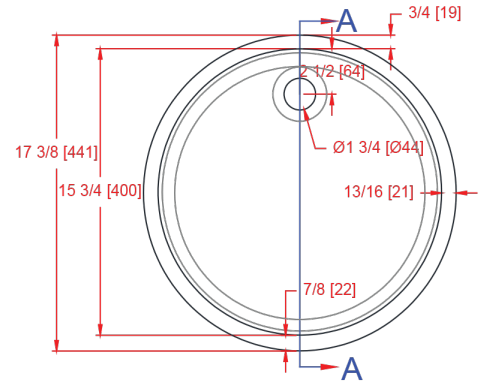
Gemstone Sinks are compatible and warranted when used with all major solid surface sheet brands (acrylic and polyester) with the same sheet warranties.

Gemstone supports conservation and green building practices. Gemstone Packages all products in 100% recyclable packaging using boxes made primarily of recycled paper.

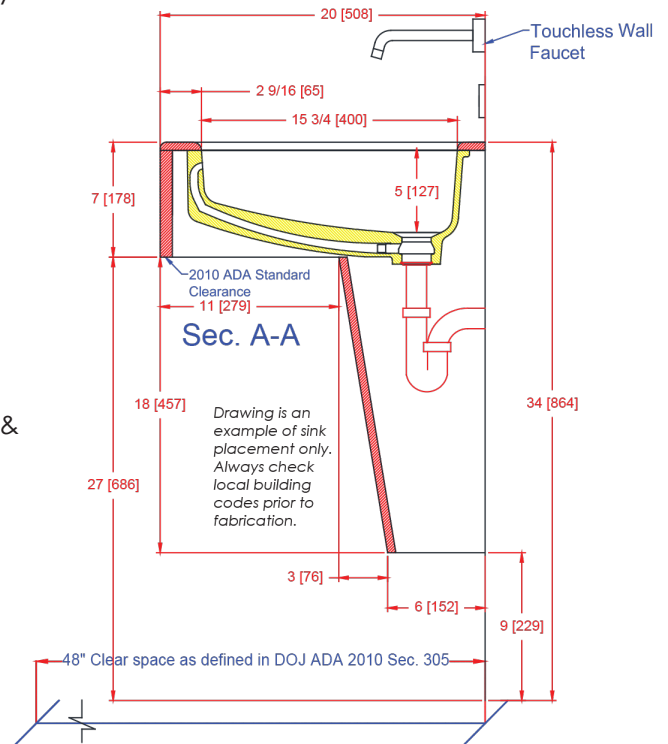
Gemstone sinks are proudly made in the USA and certified by:
Home Innovation Lab (NAHB): HUD UM Bulletin No. 73a & (B45.5/IAPMO Z124 Z124.6)
UL in the US and Canada: HUD UM Bulletin No. 73a & (B45.5/IAPMO Z124 Z124.6)



For router bit recommendations visit:
www.Gemstoness.com/tech



Front View



1616-V Universal Vanity Sink

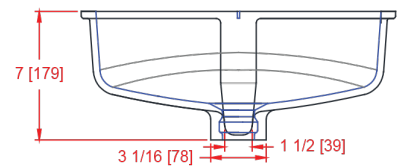
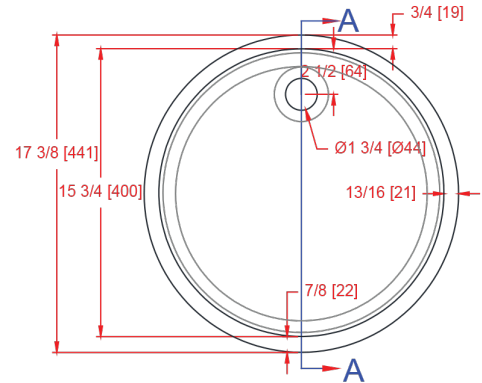
(No overflow model)

I.D.: 15 3/4" diameter (400 mm)
 Depth: 5" (127 mm)
 *Depth does not include counter top thickness



The Gemstone 14 3/4" Diameter Round Universal Design lavatory bowl is part of Gemstone's commitment to design that is appealing to all. Designed with healthcare providers in mind, design, function, and performance are critical providing today's architects, and installers the ease of installation while conforming to today's ADA standards. The 1616-V is ideal for all applications, residential, clinical, commercial, restaurants and laboratories. The depth of the bowl allows for easy ADA applications. The 1616-V is a no overflow model.

Gemstone Sinks are compatible and warranted when used with all major solid surface sheet brands (acrylic and polyester) with the same sheet warranties.



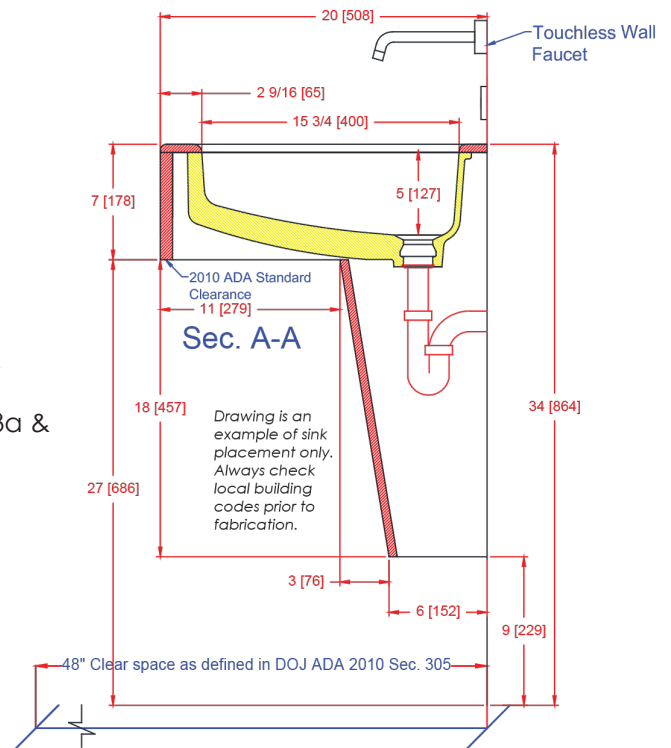
Front View

Gemstone supports conservation and green building practices. Gemstone Packages all products in 100% recyclable packaging using boxes made primarily of recycled paper.

Gemstone sinks are proudly made in the USA and certified by:
Home Innovation Lab (NAHB): HUD UM Bulletin No. 73a & (B45.5/IAPMO Z124 Z124.6)
UL in the US and Canada: HUD UM Bulletin No. 73a & (B45.5/IAPMO Z124 Z124.6)



For router bit recommendations visit:
www.Gemstoness.com/tech



1812-UVO Universal Design Lavatory

(Integrated Overflow Model)

I.D.: 18" x 12 3/4" (457 mm x 323 mm)

Depth: 5"* (127 mm)

*Depth does not include counter top thickness



The Gemstone 1812-UVO Universal Design lavatory bowl is part of Gemstone's commitment to design that is appealing to all. Design, function, performance are critical for today's architects, designers and homeowners. The 1812-UVO is ideal

for all applications, residential, clinical, commercial, restaurants and laboratories. The depth of the bowl allows for ADA applications all the way to 17" depths, something most bowls can not do. The 1812-UVO has a smooth overflow tube which maximizes infection control in hospital applications in a bowl requiring an overflow.

Gemstone Sinks are compatible and warranted when used with all major solid surface sheet brands (acrylic and polyester) with the same sheet warranties.

Gemstone supports conservation and green building practices. Gemstone Packages all products in 100% recyclable packaging using boxes made primarily of recycled paper.

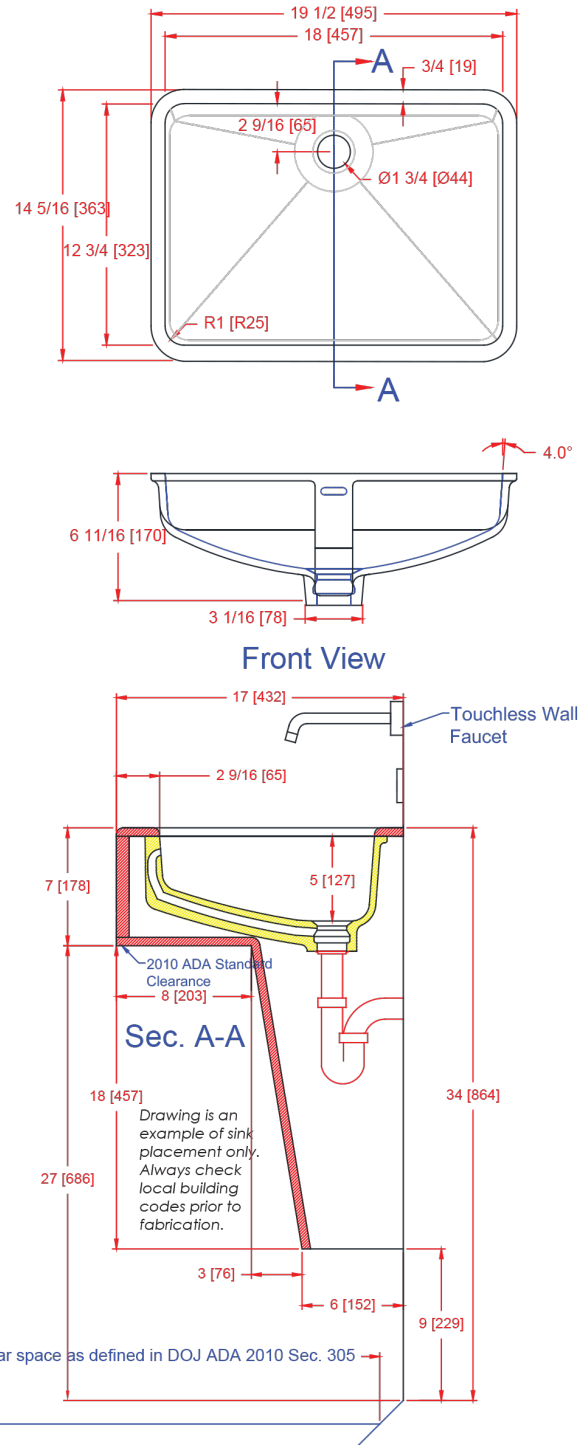
Gemstone sinks are proudly made in the USA and certified by:

Home Innovation Lab (NAHB): HUD UM Bulletin No. 73a & (B45.5/IAPMO Z124 Z124.6)

UL in the US and Canada: HUD UM Bulletin No. 73a & (B45.5/IAPMO Z124 Z124.6)




For router bit recommendations visit:
www.Gemstoness.com/tech



1812-UV Universal Design Lavatory

(No Overflow Model)


<p>I.D.: 18" x 12 3/4" (457 mm x 323 mm) Depth: 5"* (127 mm) *Depth does not include counter top thickness</p>	 <p>ADA Compliant</p>
--	--




The Gemstone 1812-V Universal Design lavatory bowl is part of Gemstone's commitment to design that is appealing to all. Design, function, performance are critical for today's architects, designers and homeowners. The 1812-V is ideal

for all applications, residential, clinical, commercial, restaurants and laboratories. The depth of the bowl allows for ADA applications all the way to 17" depths, something most bowls can not do. The 1812-V has no overflow tube which minimizes infection control in hospital applications.

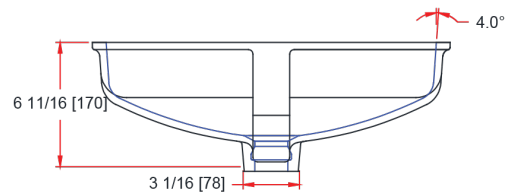
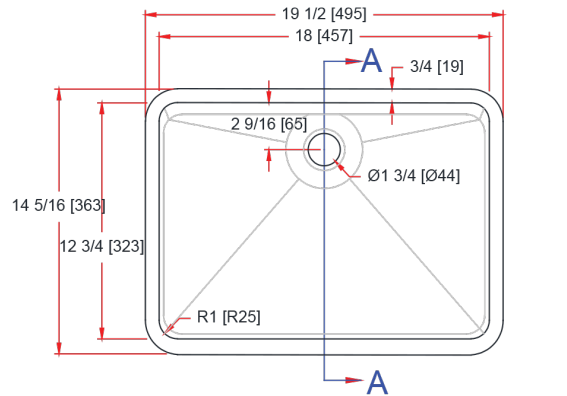
Gemstone Sinks are compatible and warranted when used with all major solid surface sheet brands (acrylic and polyester) with the same sheet warranties.

 Gemstone supports conservation and green building practices. Gemstone Packages all products in 100% recyclable packaging using boxes made primarily of recycled paper.

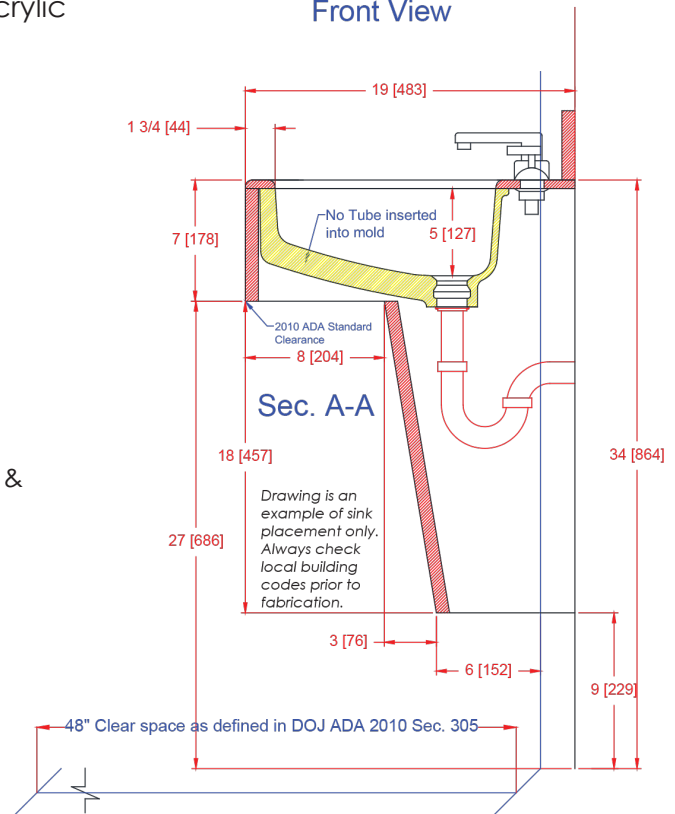
 Gemstone sinks are proudly made in the USA and certified by:
Home Innovation Lab (NAHB): HUD UM Bulletin No. 73a & (B45.5/IAPMO Z124 Z124.6)
UL in the US and Canada: HUD UM Bulletin No. 73a & (B45.5/IAPMO Z124 Z124.6)



For router bit recommendations visit:
www.Gemstoness.com/tech



Front View



1812-HVO Healthcare Vanity Sink

(Integrated Overflow Model)

I.D.: 18" x 12 3/4" (457 mm x 323 mm)

Depth: 4 1/2"* (127 mm)

*Depth does not include counter top thickness



The Gemstone 1812-HVO Vanity, specifically designed for Healthcare, is the culmination of design and function inspired by architects and designers who love the 1812-VO but need an offset drain to help prevent splashback. With the revelation in Toronto in 2011

that *Pseudomonas aeruginosa* can live in the drains of sinks and can potentially be introduced into a patient room via splashback from a faucet water hitting the drain, the 1812-HVO has an offset drain to prevent the potential problem. The depth of the bowl allows for easy ADA applications all the way to 17" depths, and will conform to the AODC in Ontario. The 1812-HVO has a smooth overflow tube which maximizes infection control in applications in a bowl requiring an overflow.

Gemstone Sinks are compatible and warranted when used with all major solid surface sheet brands (acrylic and polyester) with the same sheet warranties.



Gemstone supports conservation and green building practices. Gemstone Packages all products in 100% recyclable packaging using boxes made primarily of recycled paper.



Gemstone sinks are proudly made in the USA and certified by:

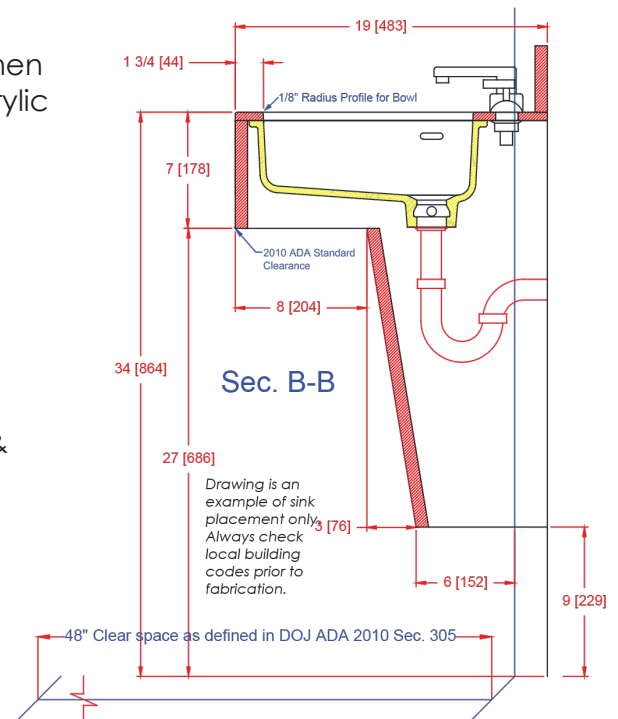
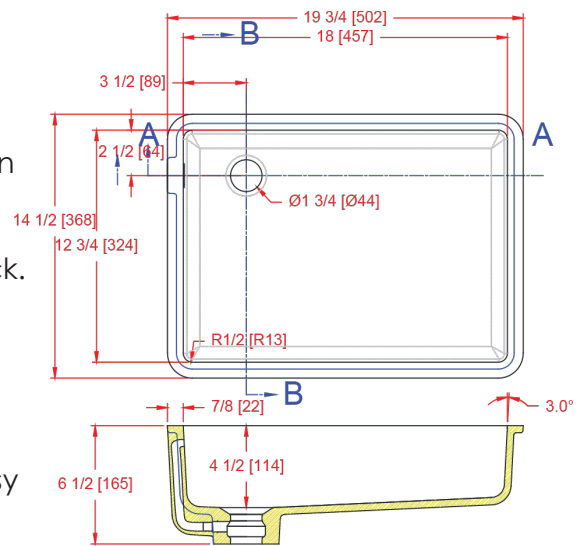
Home Innovation Lab (NAHB): HUD UM Bulletin No. 73a & (B45.5/IAPMO Z124 Z124.6)

UL in the US and Canada: HUD UM Bulletin No. 73a & (B45.5/IAPMO Z124 Z124.6)




For router bit recommendations visit:

www.Gemstoness.com/tech



1711-UVO Lavatory Bowl

(Integrated Overflow Model)


I.D.: 17 3/4" x 10 13/16" (451mm x 274 mm)	 ADA Compliant
Depth: 5"* (127 mm)	
*Depth does not include counter top thickness	




The Gemstone 1711-UVO lavatory bowl, with integrated overflow, has the correct dimensioning to fit comfortably in a shallow 18" cabinet and the right depth to make it a universal design sink giving it the flexibility to install in any application. The size of 1711-UVO also allows it to look exceptional in standard depth cabinets as well. The shape of the bowl is not your typical oval and adds class and elegance to the vanity top while yielding uncompromising performance.

The size of 1711-UVO also allows it to look exceptional in standard depth cabinets as well. The shape of the bowl is not your typical oval and adds class and elegance to the vanity top while yielding uncompromising performance.

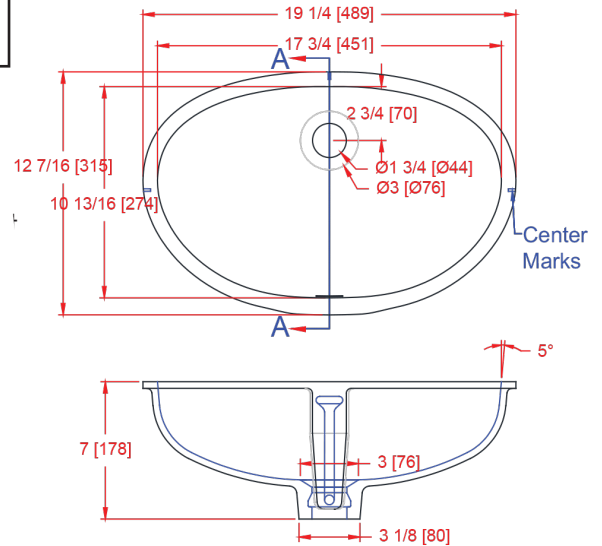
Gemstone Sinks are compatible and warranted when used with all major solid surface sheet brands (acrylic and polyester) with the same sheet warranties.

 Gemstone supports conservation and green building practices. Gemstone Packages all products in 100% recyclable packaging using boxes made primarily of recycled paper.

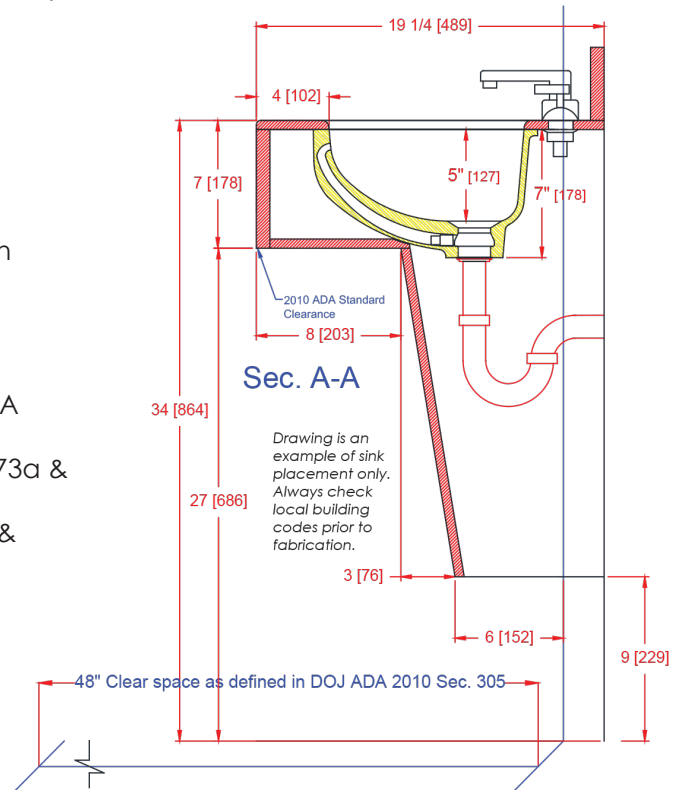
 Gemstone sinks are proudly made in the USA and certified by:
Home Innovation Lab (NAHB): HUD UM Bulletin No. 73a & (B45.5/IAPMO Z124 Z124.6)
UL in the US and Canada: HUD UM Bulletin No. 73a & (B45.5/IAPMO Z124 Z124.6)



For router bit recommendations visit:
www.Gemstoness.com/tech




Front View



1711-UV Lavatory Bowl


(No Overflow Model)


I.D.: 17 3/4" x 10 13/16" (451mm x 274 mm)	 ADA Compliant
Depth: 5"* (127 mm)	
*Depth does not include counter top thickness	



The Gemstone 1711-UV lavatory bowl (no overflow) has the correct dimensioning to fit comfortably in a shallow 18" cabinet and the right depth to make it a universal design sink giving it the flexibility to install in any application. The size of 1711-UV also allows it to look exceptional in standard depth cabinets as well. The shape of the bowl is not your typical oval and adds class and elegance to the vanity top while yielding uncompromising performance.

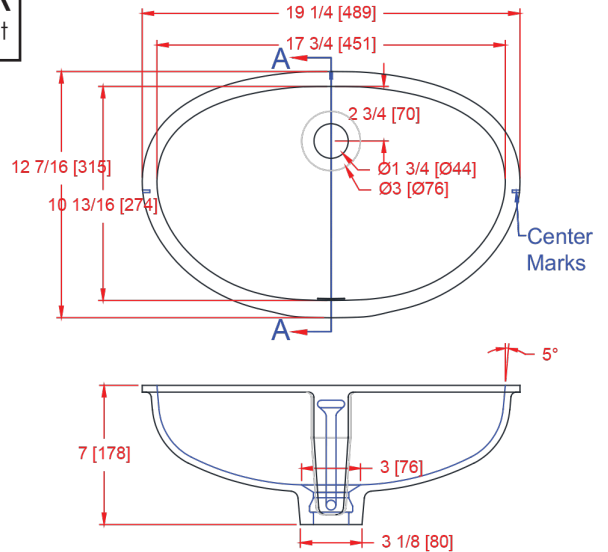
Gemstone Sinks are compatible and warranted when used with all major solid surface sheet brands (acrylic and polyester) with the same sheet warranties.

 Gemstone supports conservation and green building practices. Gemstone Packages all products in 100% recyclable packaging using boxes made primarily of recycled paper.

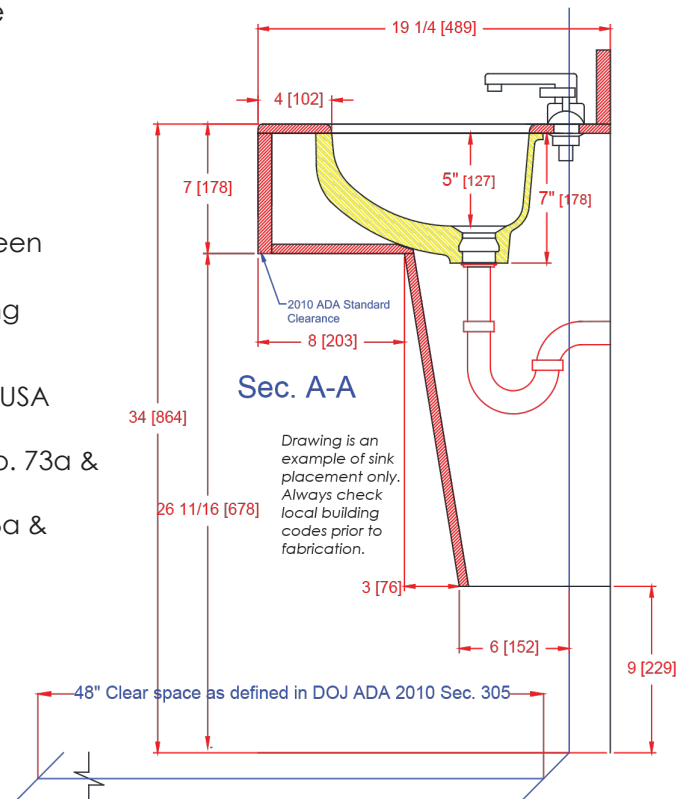
 Gemstone sinks are proudly made in the USA and certified by:
Home Innovation Lab (NAHB): HUD UM Bulletin No. 73a & (B45.5/IAPMO Z124 Z124.6)
UL in the US and Canada: HUD UM Bulletin No. 73a & (B45.5/IAPMO Z124 Z124.6)



For router bit recommendations visit:
www.Gemstoness.com/tech



Front View



1512-VO ADA Lavatory Bowl

(Integrated Overflow Model)

I.D.: 15 1/2" x 12 5/8" (394 mm x 321 mm)

Depth: 4 1/4"* (108 mm)

*Depth does not include counter top thickness



The Gemstone 1512-VO-ADA lavatory bowl depth allows the vanity bowl to be placed as close to the front of the counter top as needed without compromising ADA conformance while providing

a sleek look with exceptional performance. The 1512-VO has an integrated overflow with a smooth (non-corrugated) overflow tube for minimal trappage of germs and bacteria. Please specify VO for the overflow option.

Gemstone Sinks are compatible and warranted when used with all major solid surface sheet brands (acrylic and polyester) with the same sheet warranties.



Gemstone supports conservation and green building practices. Gemstone Packages all products in 100% recyclable packaging using boxes made primarily of recycled paper.



Gemstone sinks are proudly made in the USA and certified by:

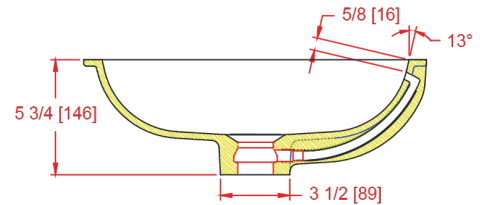
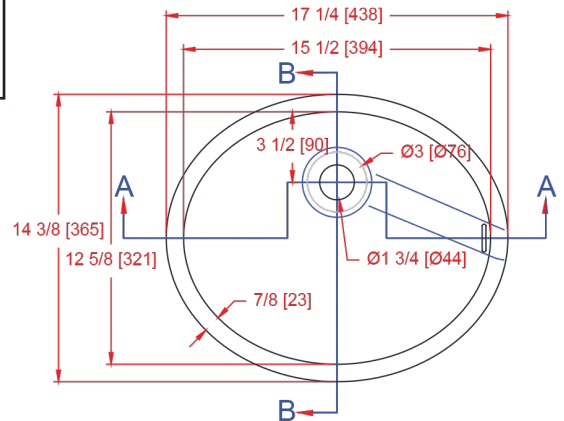
Home Innovation Lab (NAHB): HUD UM Bulletin No. 73a & (B45.5/IAPMO Z124 Z124.6)

UL in the US and Canada: HUD UM Bulletin No. 73a & (B45.5/IAPMO Z124 Z124.6)

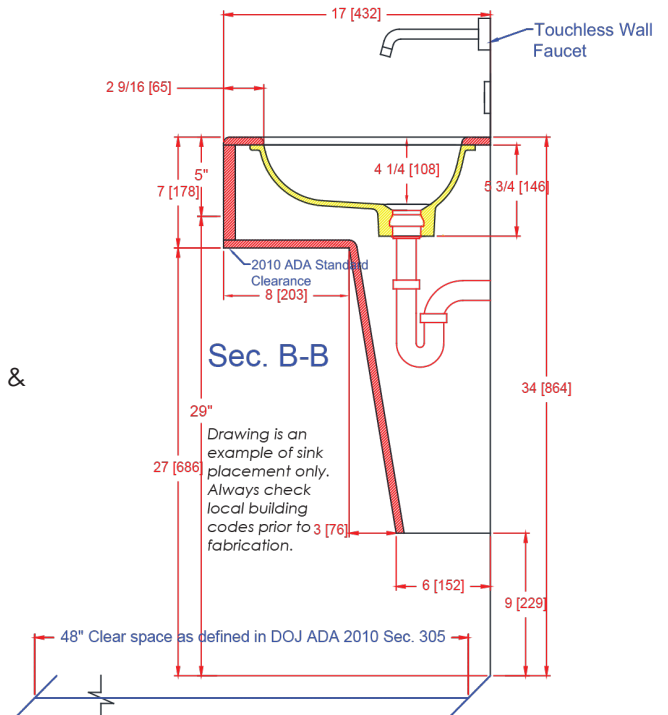


For router bit recommendations visit:

www.gemstoness.com/tech




Section A-A



1512-V ADA Universal Lavatory

(No Overflow Model)

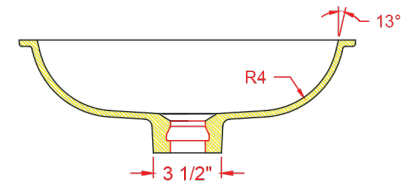
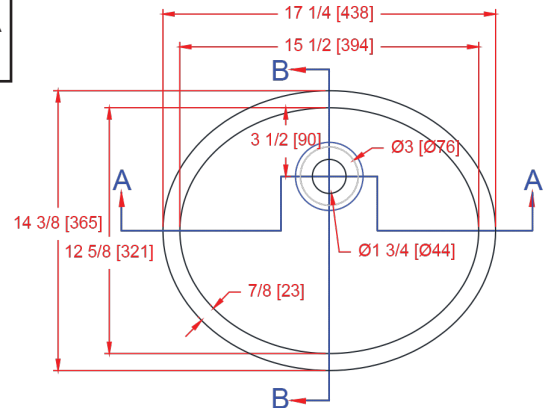
I.D.: 15 1/2" x 12 5/8" (394 mm x 321 mm)	 ADA Compliant
Depth: 4 1/4"* (108 mm)	
*Depth does not include counter top thickness	




The Gemstone 1512-V is one of several Gemstone designs committed to universal design. The low profile of the vanity bowl allows it to be placed all of the way forward without compromising ADA


conformance. At the same time, the vanity bowl provides a sleek look with uncompromised performance in any vanity application. This bowl is offered with an overflow.

Gemstone Sinks are compatible and warranted when used with all major solid surface sheet brands (acrylic and polyester) with the same sheet warranties.



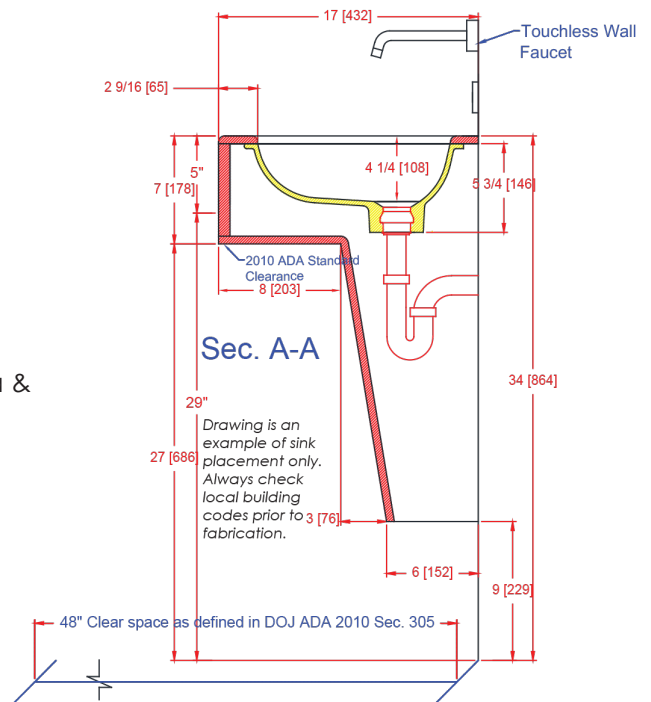
Section A-A

 Gemstone supports conservation and green building practices. Gemstone Packages all products in 100% recyclable packaging using boxes made primarily of recycled paper.


 Gemstone sinks are proudly made in the USA and certified by:
Home Innovation Lab (NAHB): HUD UM Bulletin No. 73a & (B45.5/IAPMO Z124 Z124.6)
UL in the US and Canada: HUD UM Bulletin No. 73a & (B45.5/IAPMO Z124 Z124.6)



For router bit recommendations visit:
www.Gemstoness.com/tech



1613-UVO Universal Vanity Sink (Integrated Overflow Model)


I.D.: 16 3/8" x 13" (416 mm x 330 mm)	 ADA Compliant
Depth: 5"* (127 mm)	
*Depth does not include counter top thickness	




The newly updated Gemstone 1613-UVO universal design lavatory bowl is the most popular vanity style in the industry. With it's 5" depth, the bowl is universally designed fits well in all applications, especially ADA

applications as well as residential, commercial, healthcare, hospitality, and more. The 1613-UVO has a smooth integral (non-corrugated) overflow which minimizes trapped bacteria in the overflow tube itself. The design is sleek & efficient with unparalleled ease of installation and performance.

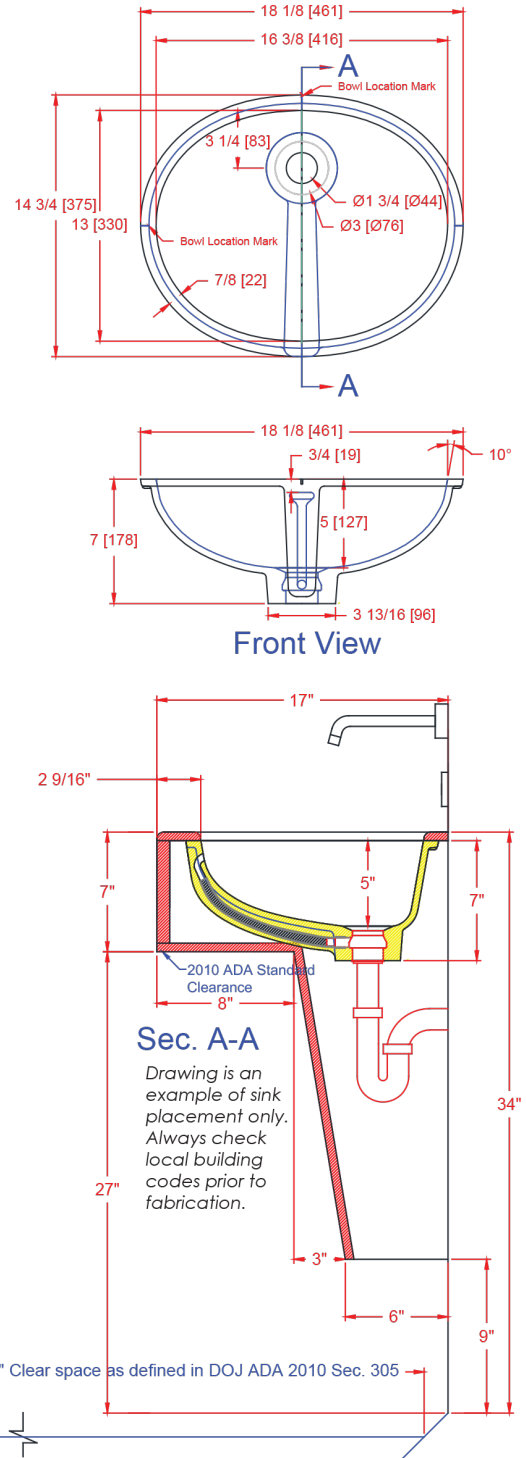
Gemstone Sinks are compatible and warranted when used with all major solid surface sheet brands (acrylic & polyester) with the same sheet warranties.

 Gemstone supports conservation and green building practices. Gemstone Packages all products in 100% recyclable packaging using boxes made primarily of recycled paper.

 Gemstone sinks are proudly made in the USA and certified by:
Home Innovation Lab (NAHB): HUD UM Bulletin No. 73a & (B45.5/IAPMO Z124 Z124.6)
UL in the US and Canada: HUD UM Bulletin No. 73a & (B45.5/IAPMO Z124 Z124.6)




For router bit recommendations visit:
www.Gemstoness.com/tech



1613-UV Universal Vanity Sink

(No Overflow Model)


I.D.: 16 3/8" x 13" (416 mm x 330 mm)	 ADA Compliant
Depth: 5"* (127 mm)	
*Depth does not include counter top thickness	




The Gemstone 1613-UV lavatory bowl is the most popular sized bowl in the industry. This bowl is used in all applications including residential, commercial, healthcare, hospitality, and more. The 1613-UV does not have an

overflow tube. The design is sleek and efficient with unparalleled performance.

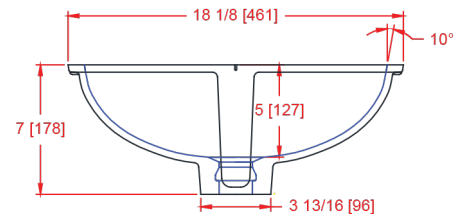
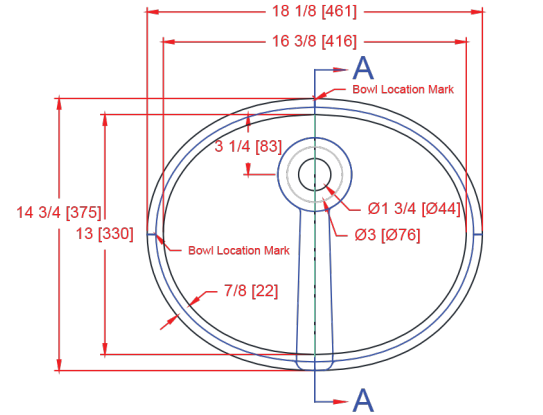
Gemstone Sinks are compatible and warranted when used with all major solid surface sheet brands (acrylic and polyester) with the same sheet warranties.

 Gemstone supports conservation and green building practices. Gemstone Packages all products in 100% recyclable packaging using boxes made primarily of recycled paper.

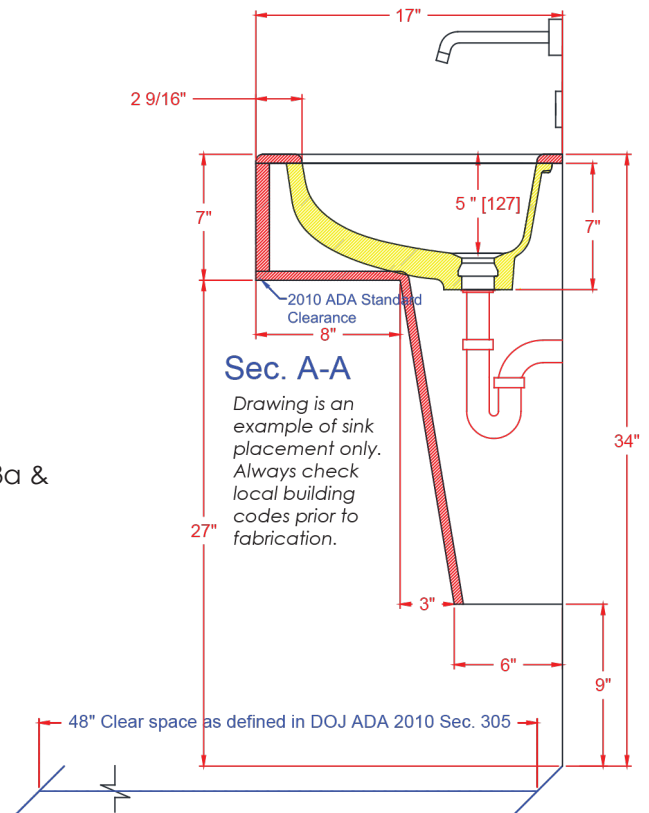
 Gemstone sinks are proudly made in the USA and certified by:
Home Innovation Lab (NAHB): HUD UM Bulletin No. 73a & (B45.5/IAPMO Z124 Z124.6)
UL in the US and Canada: HUD UM Bulletin No. 73a & (B45.5/IAPMO Z124 Z124.6)




For router bit recommendations visit:
www.Gemstoness.com/tech



Front View



1613-HVO Healthcare Vanity Sink (Integrated Overflow Model)

I.D.: 16 3/8" x 13" (416 mm x 330 mm)	
Depth: 5"* (127 mm)	
*Depth does not include counter top thickness	



The Gemstone 1613-HVO Vanity, specifically designed for Healthcare, is the culmination of design and function inspired by architects and designers who love the 1613-VO but need an offset drain to help prevent splashback. With the revelation in

2011 that *Pseudomonas aeruginosa* can live in the drains of sinks and can potentially be introduced into a patient room via splashback from a faucet hitting the drain, the 1613-HVO has an offset drain to prevent the potential problem. The depth of the bowl allows for easy ADA applications all the way to 17" depths, something most bowls can not do. The 1613-HVO has a smooth overflow tube which maximizes infection control in hospital applications in a bowl requiring an overflow.

Gemstone Sinks are compatible and warranted when used with all major solid surface sheet brands (acrylic and polyester) with the same sheet warranties.



Gemstone supports conservation and green building practices. Gemstone Packages all products in 100% recyclable packaging using boxes made primarily of recycled paper.



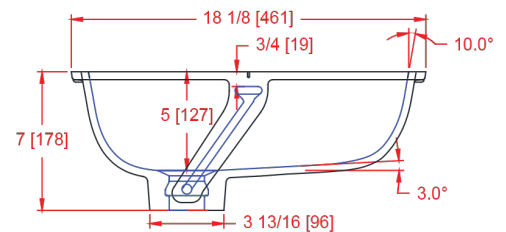
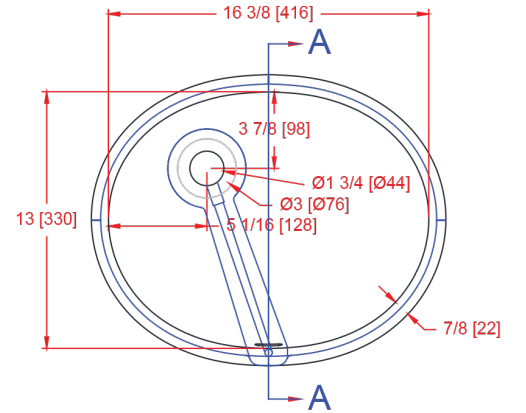
Gemstone sinks are proudly made in the USA and certified by:

Home Innovation Lab (NAHB): HUD UM Bulletin No. 73a & (B45.5/IAPMO Z124 Z124.6)

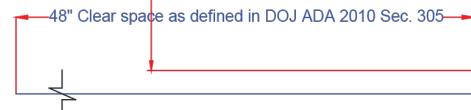
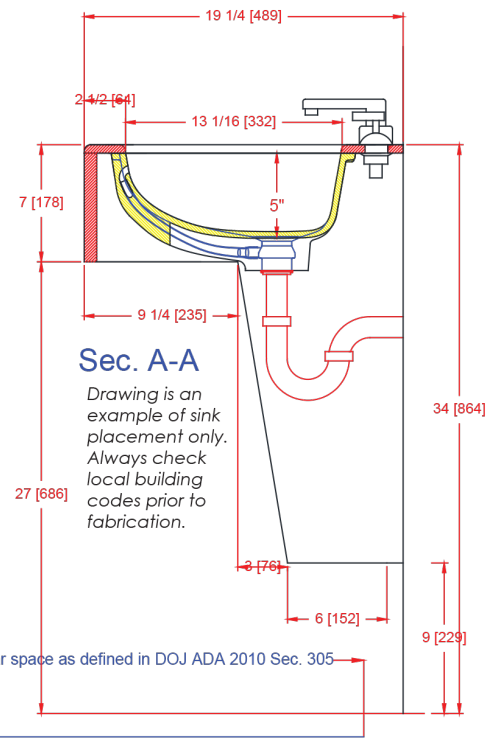
UL in the US and Canada: HUD UM Bulletin No. 73a & (B45.5/IAPMO Z124 Z124.6)



For router bit recommendations visit:
www.Gemstoness.com/tech



Front View



1514-VOR Vanity Sink

(Overflow Model)

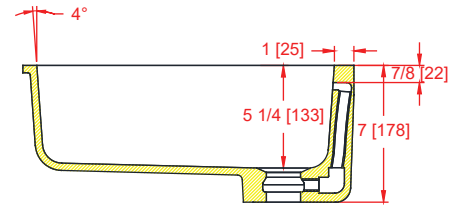
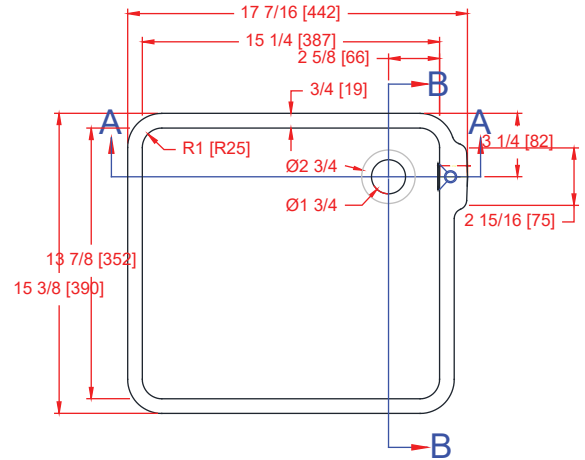
I.D.: 15 1/4" x 13 7/8" (387 mm x 352 mm)
 Depth: 5 1/4"* (133 mm)
 *Depth does not include counter top thickness



The Gemstone 1514-VOR with side overflow ADA lavatory shape allows the vanity bowl to be placed as close to the front of the top as needed without compromising ADA conformance. The offset drain prevents splash out when using

commercial drain grid strainers. This bowl is ideal for hospital and clinical applications where Infection control and design are priorities, as well as, restaurants and other public spaces, while not sacrificing performance. This bowl has a side overflow. The is also offered with a no-overflow option.

Gemstone Sinks are compatible and warranted when used with all major solid surface sheet brands (acrylic and polyester) with the same sheet warranties.



Section A-A

Gemstone supports conservation and green building practices. Gemstone Packages all products in 100% recyclable packaging using boxes made primarily of recycled paper.

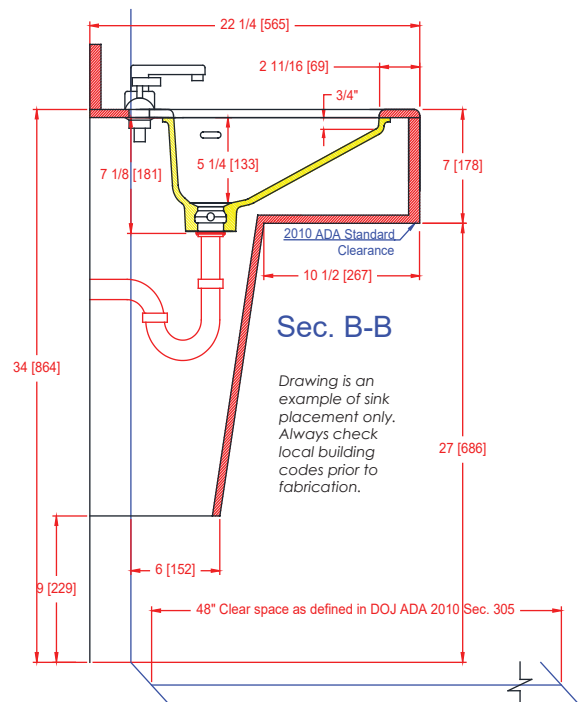
Gemstone sinks are proudly made in the USA and certified by:

Home Innovation Lab (NAHB): HUD UM Bulletin No. 73a & (B45.5/IAPMO Z124 Z124.6)

UL in the US and Canada: HUD UM Bulletin No. 73a & (B45.5/IAPMO Z124 Z124.6)




For router bit recommendations visit:
www.Gemstoness.com/tech



1514-VR Vanity Sink

(No Overflow Model)


I.D.: 15 1/4" x 13 7/8" (387 mm x 352 mm)	 ADA Compliant
Depth: 5 1/4"* (133 mm)	
*Depth does not include counter top thickness	




The Gemstone 1514-VOR with side overflow ADA lavatory shape allows the vanity bowl to be placed as close to the front of the top as needed without compromising ADA conformance. The offset drain prevents splash out when

using commercial drain grid strainers. This bowl is ideal for hospital and clinical applications where Infection control and design are priorities, as well as, restaurants and other public spaces, while not sacrificing performance. This bowl has a side overflow. The is also offered with an overflow option.

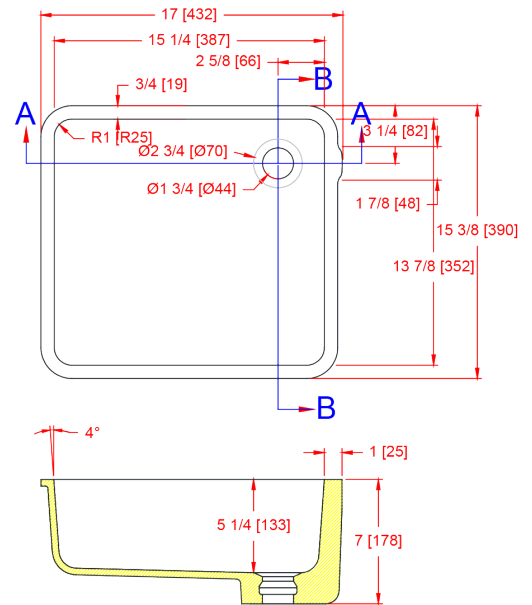
Gemstone Sinks are compatible and warranted when used with all major solid surface sheet brands (acrylic and polyester) with the same sheet warranties.

 Gemstone supports conservation and green building practices. Gemstone Packages all products in 100% recyclable packaging using boxes made primarily of recycled paper.

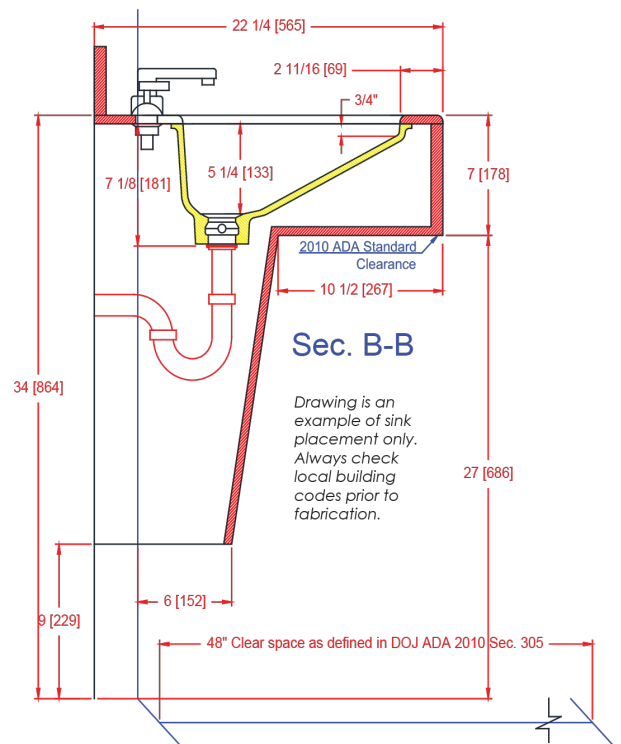
 Gemstone sinks are proudly made in the USA and certified by:
Home Innovation Lab (NAHB): HUD UM Bulletin No. 73a & (B45.5/IAPMO Z124 Z124.6)
UL in the US and Canada: HUD UM Bulletin No. 73a & (B45.5/IAPMO Z124 Z124.6)



For router bit recommendations visit:
www.Gemstoness.com/tech



Section A-A



1514-VO ADA Lavatory Bowl (Integrated Overflow Model)

I.D.: 15 1/4" x 13 7/8" (387 mm x 352 mm)
 Depth: 5 1/4"* (133 mm)
 *Depth does not include counter top thickness



The Gemstone 1514-VO with side overflow ADA lavatory shape allows the vanity bowl to be placed as close to the front of the top as needed without compromising ADA conformance. The offset drain

prevents splash out when using commercial drain grid strainers. This bowl is ideal for hospital and clinical applications where Infection control and design are priorities, as well as, restaurants and other public spaces, while not sacrificing performance. This bowl has a side overflow. The is also offered with a no-overflow option.

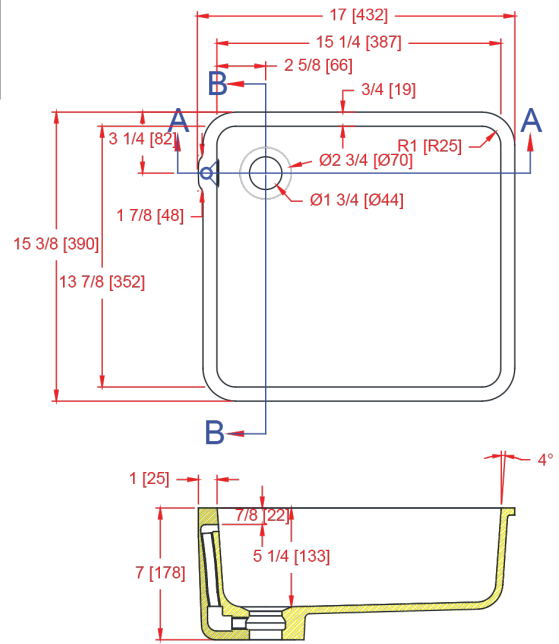
Gemstone Sinks are compatible and warranted when used with all major solid surface sheet brands (acrylic and polyester) with the same sheet warranties.

Gemstone supports conservation and green building practices. Gemstone Packages all products in 100% recyclable packaging using boxes made primarily of recycled paper.

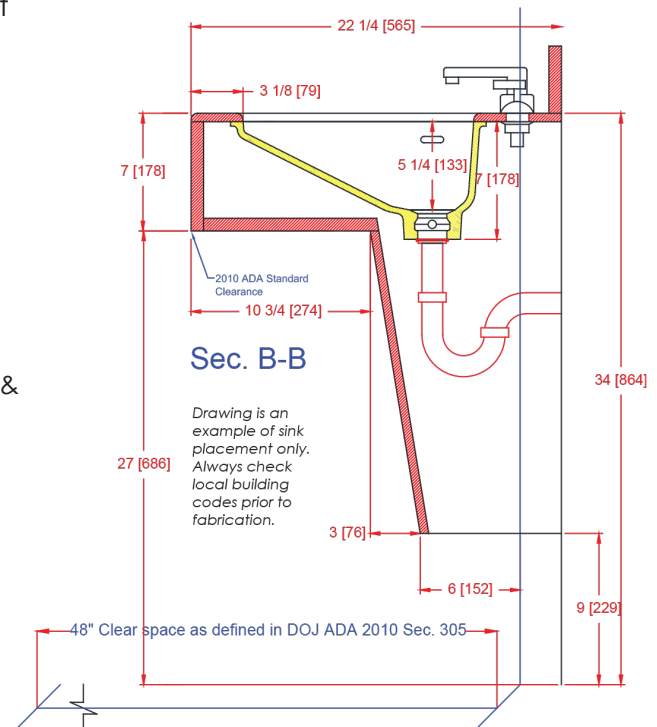
Gemstone sinks are proudly made in the USA and certified by:
Home Innovation Lab (NAHB): HUD UM Bulletin No. 73a & (B45.5/IAPMO Z124 Z124.6)
UL in the US and Canada: HUD UM Bulletin No. 73a & (B45.5/IAPMO Z124 Z124.6)



For router bit recommendations visit:
www.Gemstoness.com/tech




Section A-A



1514-V ADA Lavatory Bowl

(No Overflow Model)


I.D.: 15 1/4" x 13 7/8" (387 mm x 352 mm)	 ADA Compliant
Depth: 5 1/4"* (133 mm)	
*Depth does not include counter top thickness	




The Gemstone 1514-V ADA lavatory shape allows the vanity bowl to be placed as close to the front of the top as needed without compromising ADA conformance. The offset drain prevents splash out when using commercial drain

grid strainers. This bowl is ideal for hospital and clinical applications where infection control and design are priorities, as well as, restaurants and other public spaces providing excellent performance. This bowl has a side overflow option. Please see the specification for the 1514-VO.

Gemstone Sinks are compatible and warranted when used with all major solid surface sheet brands (acrylic and polyester) with the same sheet warranties.

 Gemstone supports conservation and green building practices. Gemstone Packages all products in 100% recyclable packaging using boxes made primarily of recycled paper.

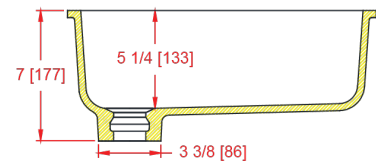
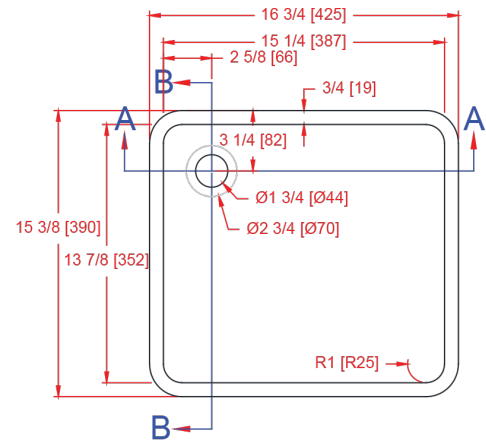
 Gemstone sinks are proudly made in the USA and certified by:

Home Innovation Lab (NAHB): HUD UM Bulletin No. 73a & (B45.5/IAPMO Z124 Z124.6)

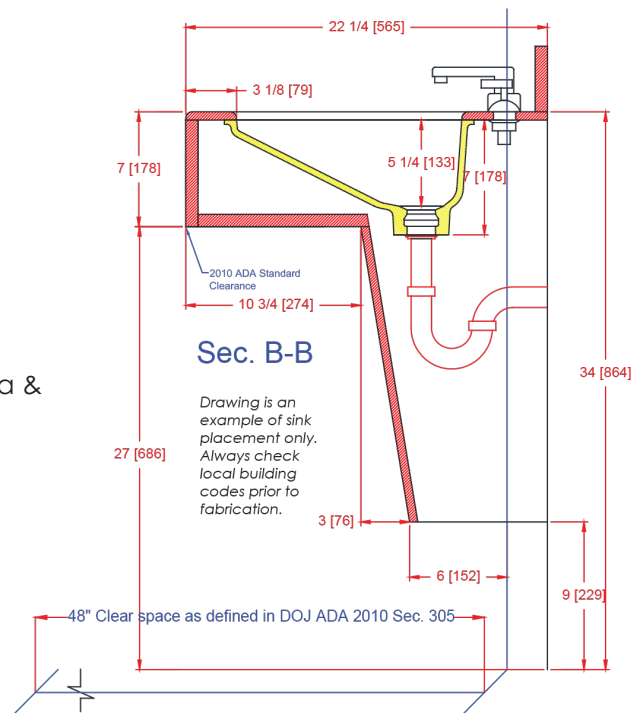
UL in the US and Canada: HUD UM Bulletin No. 73a & (B45.5/IAPMO Z124 Z124.6)



For router bit recommendations visit:
www.Gemstoness.com/tech



Section A-A



1416-V ADA Lavatory Bowl

(No Overflow Model)

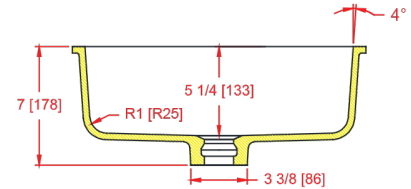
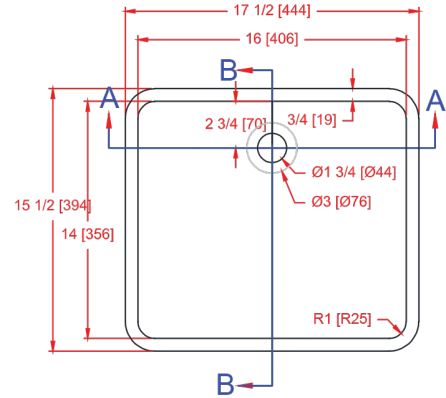
I.D.: 16" x 14" (406 mm x 356 mm)
 Depth: 5 1/4"* (133 mm)
 *Depth does not include counter top thickness



The Gemstone 1416-V-ADA (No overflow) lavatory shape allows the vanity bowl to be placed as close to the front of the top as needed without compromising ADA conformance. This bowl is ideal for hospital and clinical

applications where infection control and design are priorities, as well as, restaurants and other public spaces while providing excellent performance.

Gemstone Sinks are compatible and warranted when used with all major solid surface sheet brands (acrylic and polyester) with the same sheet warranties.



Section A-A

Gemstone supports conservation and green building practices. Gemstone Packages all products in 100% recyclable packaging using boxes made primarily of recycled paper.

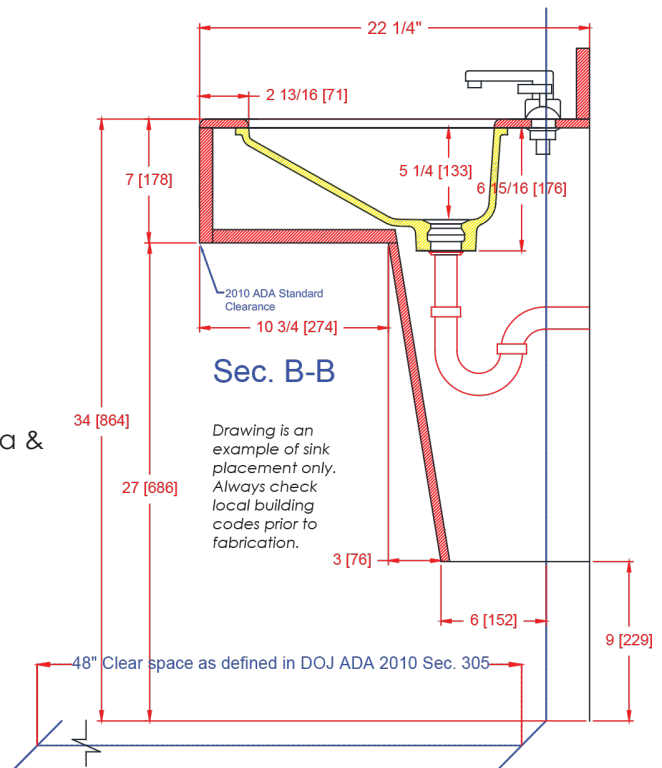
Gemstone sinks are proudly made in the USA and certified by:

Home Innovation Lab (NAHB): HUD UM Bulletin No. 73a & (B45.5/IAPMO Z124 Z124.6)

UL in the US and Canada: HUD UM Bulletin No. 73a & (B45.5/IAPMO Z124 Z124.6)



For router bit recommendations visit:
www.Gemstoness.com/tech



1513-VO ADA Lavatory Bowl

(Integrated Overflow Model)

I.D.: 15" x 13" (381 mm x 330 mm)
 Depth: 5"* (127 mm)
 *Depth does not include counter top thickness



The Gemstone 1513-VO with rear overflow ADA lavatory shape allows the vanity bowl to be placed as close to the front of the top as needed without compromising ADA conformance. The overflow tube is integrated and a smooth tube which helps with bacteria control. This bowl is ideal for hospital and clinical applications as well as restaurants and other public spaces.

Gemstone Sinks are compatible and warranted when used with all major solid surface sheet brands (acrylic and polyester) with the same sheet warranties.

Gemstone supports conservation and green building practices. Gemstone Packages all products in 100% recyclable packaging using boxes made primarily of recycled paper.

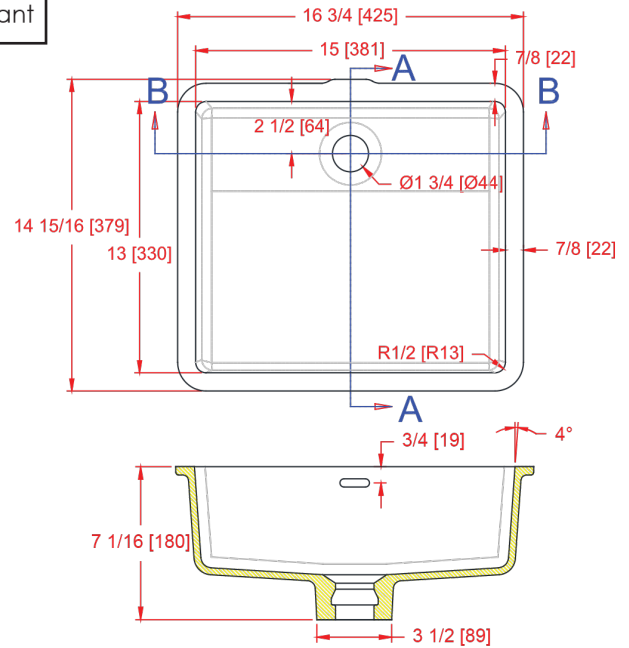
Gemstone sinks are proudly made in the USA and certified by:

Home Innovation Lab (NAHB): HUD UM Bulletin No. 73a & (B45.5/IAPMO Z124 Z124.6)

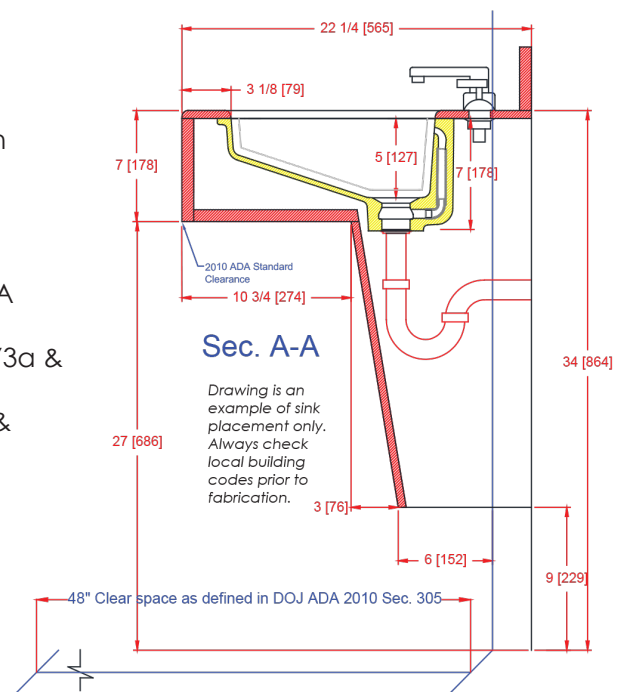
UL in the US and Canada: HUD UM Bulletin No. 73a & (B45.5/IAPMO Z124 Z124.6)



For router bit recommendations visit:
www.Gemstoness.com/tech



Section B-B



1513-V ADA Lavatory Bowl

(No Overflow Model)

I.D.: 15" x 13" (381 mm x 330 mm)
 Depth: 5"* (127 mm)
 *Depth does not include counter top thickness



The Gemstone 1513-V ADA lavatory shape allows the vanity bowl to be placed as close to the front of the top as needed without compromising ADA conformance. This bowl is ideal for hospital and clinical

applications as well as restaurants and other public space due to its excellent stain and chemical resistance.

Gemstone Sinks are compatible and warranted when used with all major solid surface sheet brands (acrylic and polyester) with the same sheet warranties.

Gemstone supports conservation and green building practices. Gemstone Packages all products in 100% recyclable packaging using boxes made primarily of recycled paper.

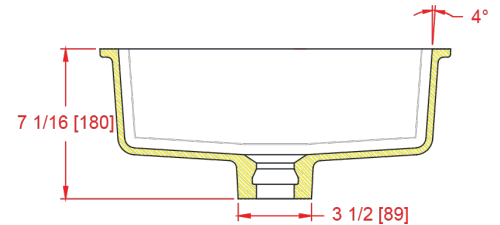
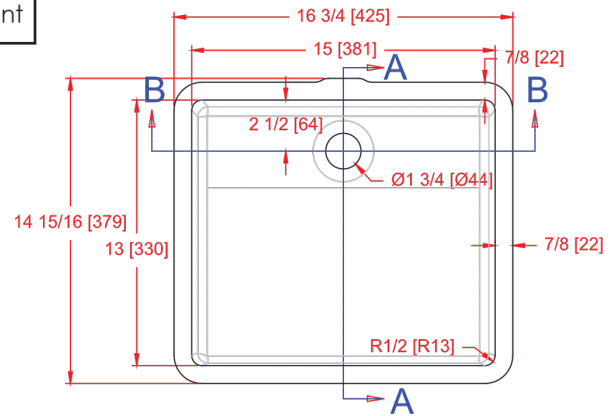
Gemstone sinks are proudly made in the USA and certified by:

Home Innovation Lab (NAHB): HUD UM Bulletin No. 73a & (B45.5/IAPMO Z124 Z124.6)

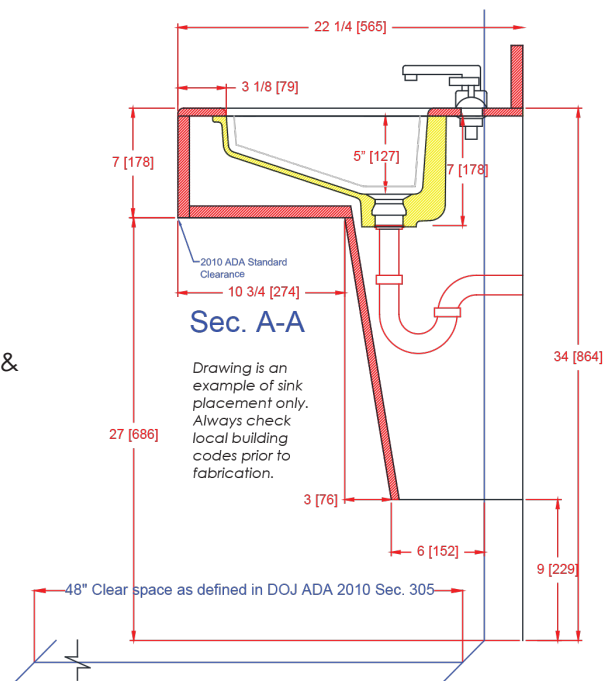
UL in the US and Canada: HUD UM Bulletin No. 73a & (B45.5/IAPMO Z124 Z124.6)



For router bit recommendations visit:
www.Gemstoness.com/tech



Section B-B



1518-V ADA Lavatory Bowl

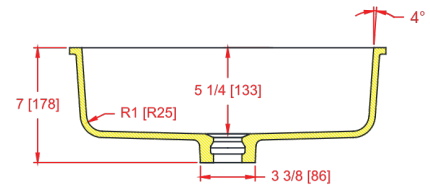
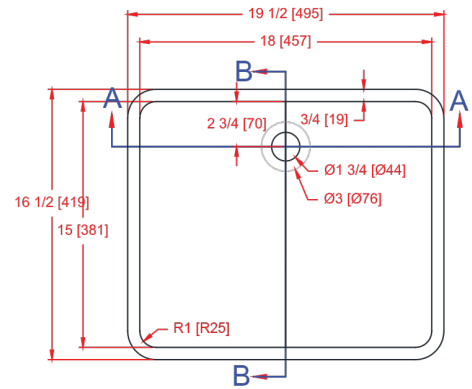
(No Overflow Model)

I.D.: 18" x 15" (457 mm x 381 mm)
 Depth: 5 1/4"* (133 mm)
 *Depth does not include counter top thickness



The Gemstone 1518-V-ADA (No overflow) lavatory shape allows the vanity bowl to be placed as close to the front of the top as needed without compromising ADA conformance. This bowl is ideal for hospital and clinical applications where Infection control and design are priorities, as well as restaurants and other public spaces, while not sacrificing performance.

Gemstone Sinks are compatible and warranted when used with all major solid surface sheet brands (acrylic and polyester) with the same sheet warranties.



Section A-A



Gemstone supports conservation and green building practices. Gemstone Packages all products in 100% recyclable packaging using boxes made primarily of recycled paper.



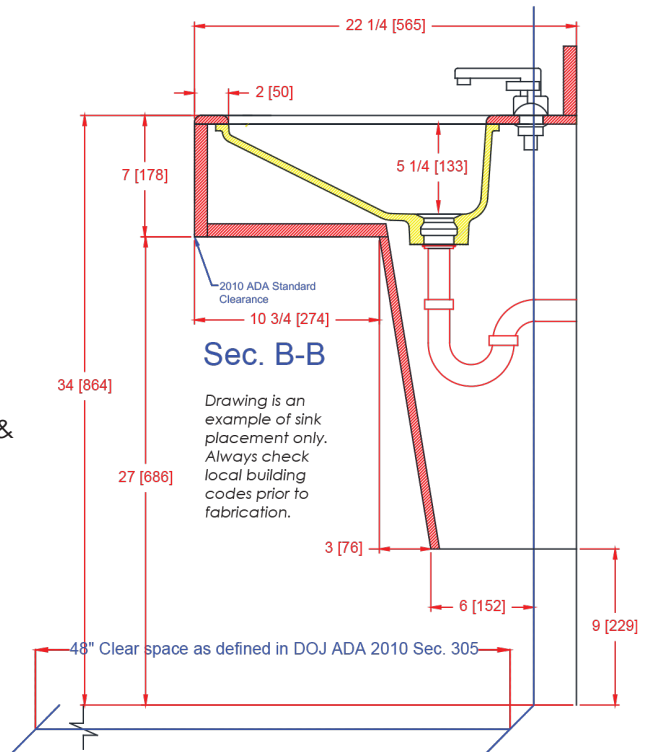
Gemstone sinks are proudly made in the USA and certified by:

Home Innovation Lab (NAHB): HUD UM Bulletin No. 73a & (B45.5/IAPMO Z124 Z124.6)

UL in the US and Canada: HUD UM Bulletin No. 73a & (B45.5/IAPMO Z124 Z124.6)



For router bit recommendations visit:
www.Gemstoness.com/tech



1814-EVO Lavatory Bowl

(Integrated Overflow Model)

I.D.: 17 3/4" x 14" (450 mm x 355 mm)

Depth: 3 1/8"* (79 mm)

*Depth does not include counter top thickness



The Gemstone 1814-EVO lavatory bowl is part of Gemstone's commitment to design. Design, function and performance are critical for today's architects, designers and homeowners in the US and Europe alike. Stylish and ADA compliant in the US and Europe, the 1814-EVO will suit any application. The tight corners give the 1814-EVO a sleek and modern look. The 1814-EVO has a smooth overflow tube which maximizes infection control in hospital applications for a bowl requiring an overflow. The 1814-E is also offered without an overflow if specified.

Gemstone Sinks are compatible and warranted when used with all major solid surface sheet brands (acrylic and polyester) with the same sheet warranties.

Gemstone supports conservation and green building practices. Gemstone Packages all products in 100% recyclable packaging using boxes made primarily of recycled paper.

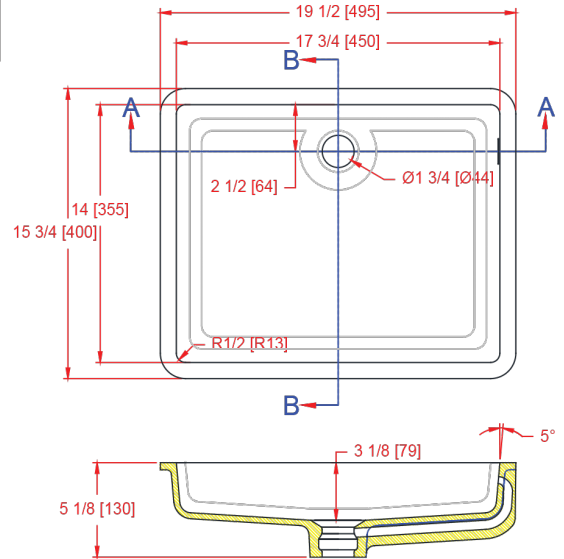
Gemstone sinks are proudly made in the USA and certified by:

Home Innovation Lab (NAHB): HUD UM Bulletin No. 73a & (B45.5/IAPMO Z124 Z124.6)

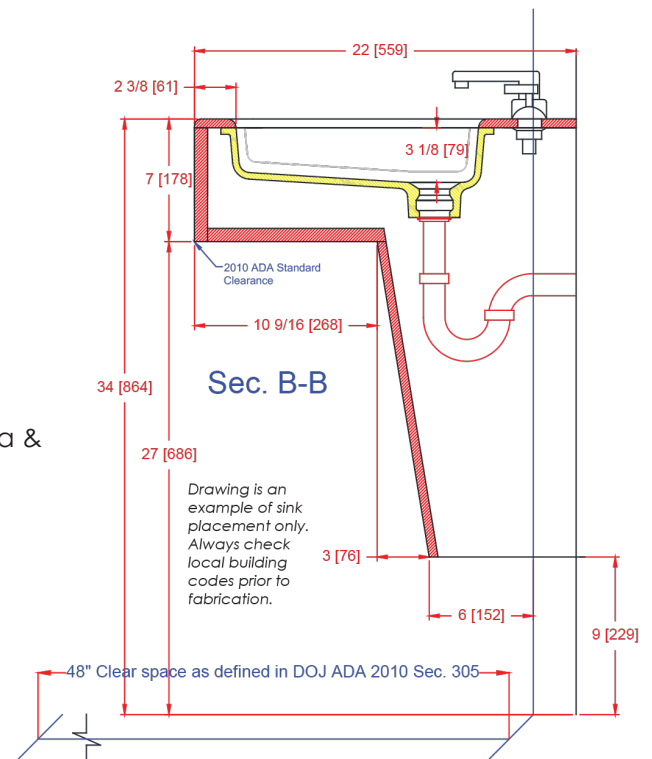
UL in the US and Canada: HUD UM Bulletin No. 73a & (B45.5/IAPMO Z124 Z124.6)



For router bit recommendations visit:
www.Gemstoness.com/tech



Section A-A



1814-EV Lavatory Bowl

(No Overflow Model)

I.D.: 17 3/4" x 14" (450 mm x 355 mm)

Depth: 3 1/8"* (79 mm)

*Depth does not include counter top thickness



The Gemstone 1814-EV lavatory bowl (no overflow) is part of Gemstone's commitment to design. Design, function and performance are critical for today's architects, designers and homeowners in the US

and Europe alike. Stylish and ADA compliant in the US and Europe, the 1814-EV will suit any application. The tight corners give the 1814-EV a sleek and modern look. This bowl is also offered with an overflow option. Please see the 1814-EVO specification for the overflow model.

Gemstone Sinks are compatible and warranted when used with all major solid surface sheet brands (acrylic and polyester) with the same sheet warranties.

Gemstone supports conservation and green building practices. Gemstone Packages all products in 100% recyclable packaging using boxes made primarily of recycled paper.

Gemstone sinks are proudly made in the USA and certified by:

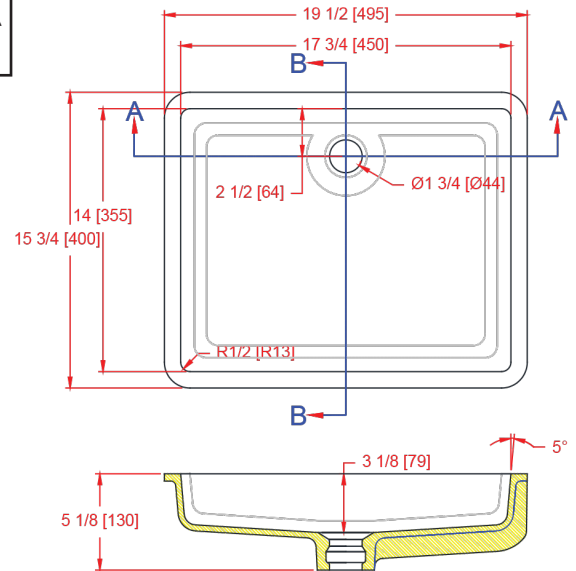
Home Innovation Lab (NAHB): HUD UM Bulletin No. 73a & (B45.5/IAPMO Z124 Z124.6)

UL in the US and Canada: HUD UM Bulletin No. 73a & (B45.5/IAPMO Z124 Z124.6)

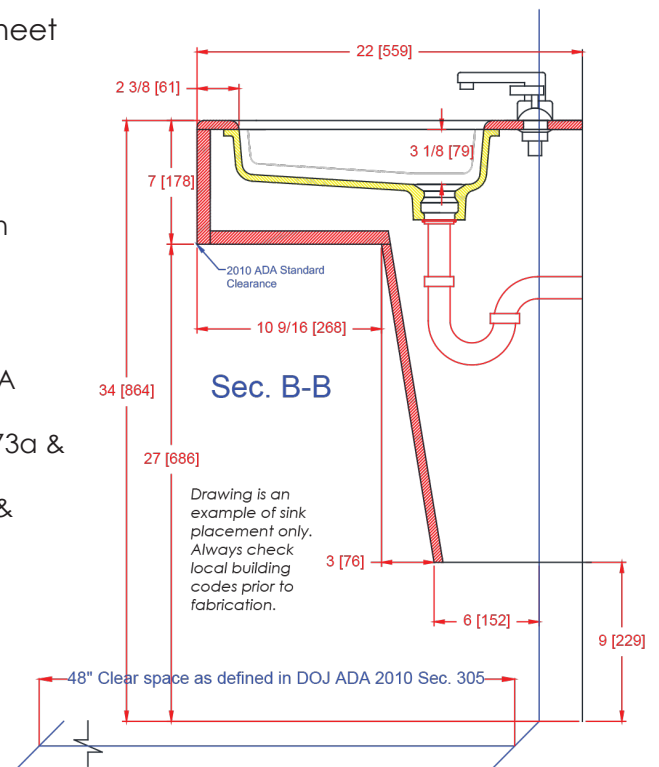


For router bit recommendations visit:

www.Gemstoness.com/tech




Section A-A



1814-VO Lavatory Bowl


(Integrated Overflow Model)


I.D.: 17 3/4" x 14" (450 mm x 355 mm)	 ADA Compliant
Depth: 4 7/8"* (124 mm)	
*Depth does not include counter top thickness	



The Gemstone 1814-VO lavatory bowl is part of Gemstone's commitment to design. Design, function, performance are critical for today's architects, designers and homeowners. The 1814-VO is ideal for all applications, residential, clinical, commercial, restaurants and laboratories. The tight corners give the 1814-VO a sleek and modern look. The 1814-VO has a smooth overflow tube which maximizes infection control in hospital applications for a bowl requiring an overflow. The 1814 is also offered without an overflow if specified.

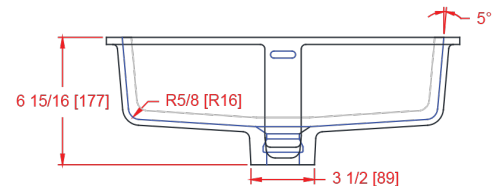
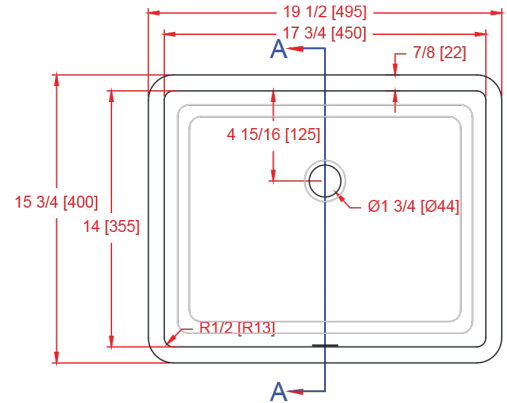
Gemstone Sinks are compatible and warranted when used with all major solid surface sheet brands (acrylic and polyester) with the same sheet warranties.

 Gemstone supports conservation and green building practices. Gemstone Packages all products in 100% recyclable packaging using boxes made primarily of recycled paper.

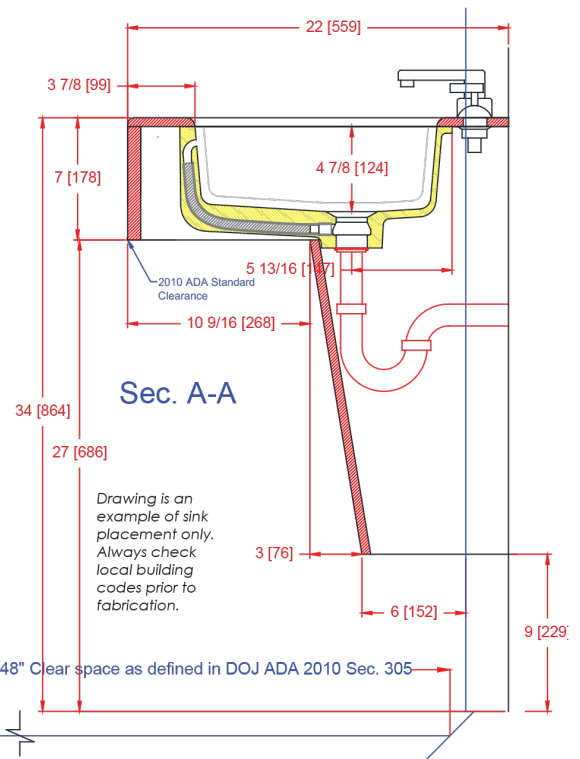
 Gemstone sinks are proudly made in the USA and certified by:
Home Innovation Lab (NAHB): HUD UM Bulletin No. 73a & (B45.5/IAPMO Z124 Z124.6)
UL in the US and Canada: HUD UM Bulletin No. 73a & (B45.5/IAPMO Z124 Z124.6)



For router bit recommendations visit:
www.Gemstoness.com/tech



Front View



1814-V Lavatory Bowl

(No Overflow Model)

I.D.: 17 3/4" x 14" (450 mm x 355 mm)

Depth: 4 7/8"* (124 mm)

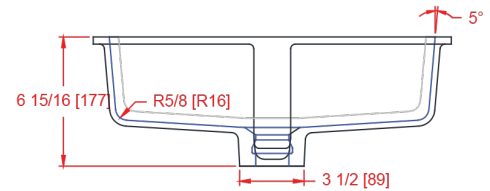
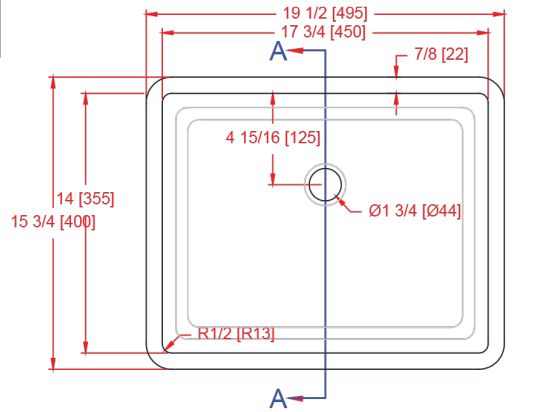
*Depth does not include counter top thickness



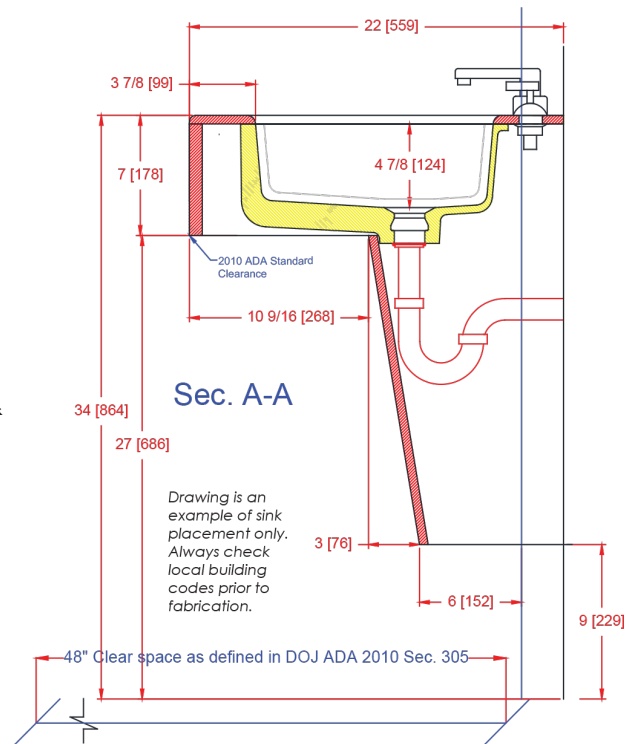
The Gemstone 1814-V lavatory bowl is part of Gemstone's commitment to design. Design, function, performance are critical for today's architects, designers and homeowners. The 1814-V is ideal for all applications,

residential, clinical, commercial, restaurants and laboratories. The tight corners give the 1814-V a sleek and modern look. The 1814 is also offered with an overflow if specified.

Gemstone Sinks are compatible and warranted when used with all major solid surface sheet brands (acrylic and polyester) with the same sheet warranties.



Front View



Gemstone supports conservation and green building practices. Gemstone Packages all products in 100% recyclable packaging using boxes made primarily of recycled paper.



Gemstone sinks are proudly made in the USA and certified by:

Home Innovation Lab (NAHB): HUD UM Bulletin No. 73a & (B45.5/IAPMO Z124 Z124.6)

UL in the US and Canada: HUD UM Bulletin No. 73a & (B45.5/IAPMO Z124 Z124.6)



For router bit recommendations visit:

www.Gemstoness.com/tech

1410-VO Lavatory Bowl

(Integrated Overflow Model)

I.D.: 14 1/4" x 10 5/16" (362 mm x 262 mm)
 Depth: 5"* (127 mm)
 *Depth does not include counter top thickness



The Gemstone 1410-V lavatory bowl is the perfect bowl for tight places. This bowl is used in RV's, boats, small residential and commercial bathrooms where space, aesthetics, and performance are a premium. The

1410-VO has a smooth integral (non-corrugated) overflow which minimizes trapped bacteria in the overflow tube itself. The design is sleek & efficient with unparalleled ease of installation and performance.

Gemstone Sinks are compatible and warranted when used with all major solid surface sheet brands (acrylic and polyester) with the same sheet warranties.

Gemstone supports conservation and green building practices. Gemstone Packages all products in 100% recyclable packaging using boxes made primarily of recycled paper.

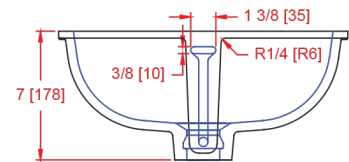
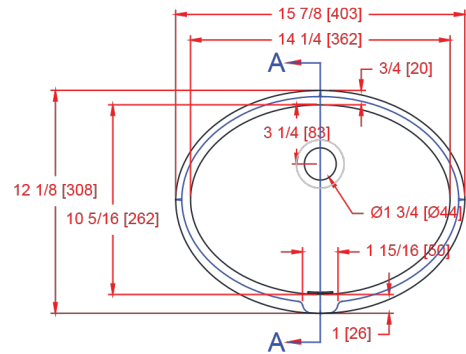
Gemstone sinks are proudly made in the USA and certified by:

Home Innovation Lab (NAHB): HUD UM Bulletin No. 73a & (B45.5/IAPMO Z124 Z124.6)

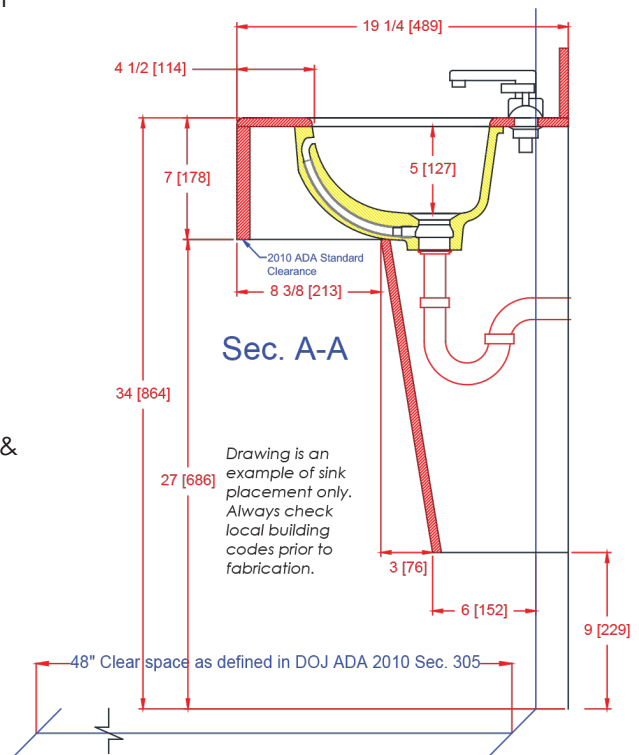
UL in the US and Canada: HUD UM Bulletin No. 73a & (B45.5/IAPMO Z124 Z124.6)



For router bit recommendations visit:
www.Gemstoness.com/tech



Front View



1410-V Lavatory Bowl

(No Overflow Model)

I.D.: 14 1/4" x 10 5/16" (362 mm x 262 mm)
 Depth: 5"* (127 mm)
 *Depth does not include counter top thickness



The Gemstone 1410-V lavatory bowl is the perfect bowl for tight places. This bowl is used in RV's, boats, small residential and commercial bathrooms where space, aesthetics, and performance are a premium.

The 1410-V does not have an overflow and accepts standard drain hardware.

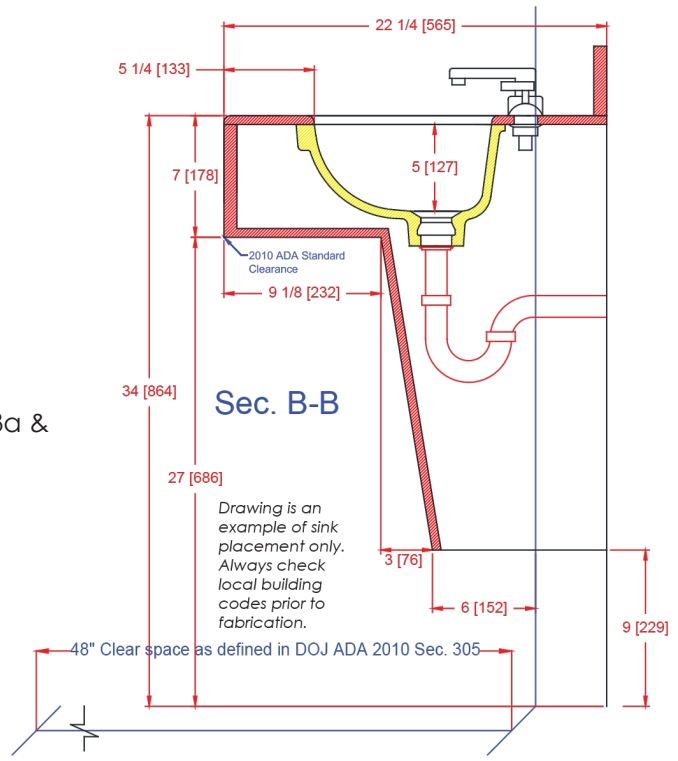
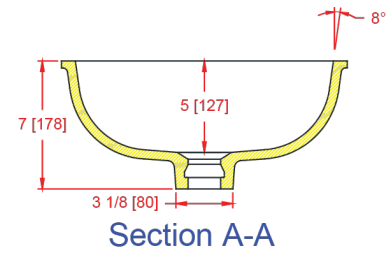
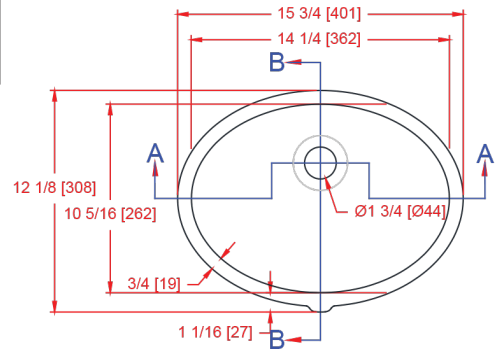
Gemstone Sinks are compatible and warranted when used with all major solid surface sheet brands (acrylic and polyester) with the same sheet warranties.

Gemstone supports conservation and green building practices. Gemstone Packages all products in 100% recyclable packaging using boxes made primarily of recycled paper.

Gemstone sinks are proudly made in the USA and certified by:
Home Innovation Lab (NAHB): HUD UM Bulletin No. 73a & (B45.5/IAPMO Z124 Z124.6)
UL in the US and Canada: HUD UM Bulletin No. 73a & (B45.5/IAPMO Z124 Z124.6)



For router bit recommendations visit:
www.Gemstoness.com/tech



1612-VO Lavatory Bowl

(Integrated Overflow Model)

I.D.: 15 13/16" x 11 13/16" (402 mm x 300 mm)
 Depth: 5"* (127 mm)
 *Depth does not include counter top thickness



The Gemstone 1612-VO lavatory bowl is one of the most popular sized bowls in the industry. This bowl is used in all applications including residential, commercial, healthcare, hospitality, and more. The 1612 has a smooth integral (non-corrugated) overflow which minimizes trapped bacteria in the overflow tube itself. The design is sleek and efficient with unparalleled performance.

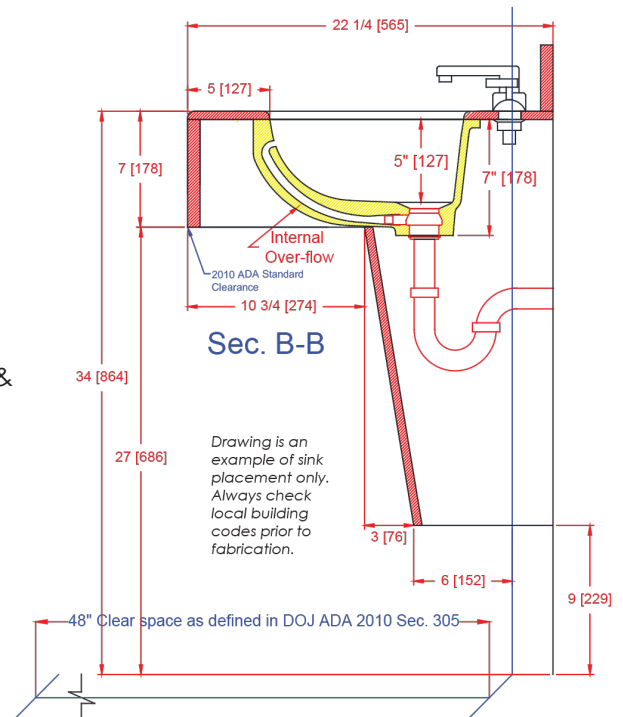
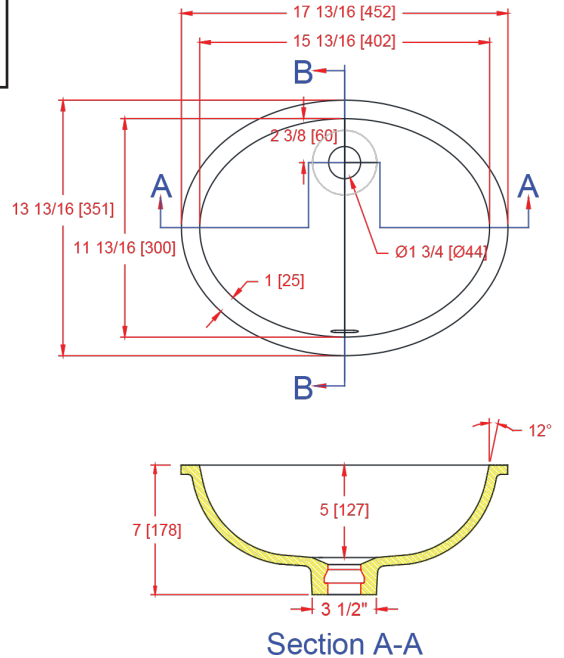
Gemstone Sinks are compatible and warranted when used with all major solid surface sheet brands (acrylic and polyester) with the same sheet warranties.

Gemstone supports conservation and green building practices. Gemstone Packages all products in 100% recyclable packaging using boxes made primarily of recycled paper.

Gemstone sinks are proudly made in the USA and certified by:
Home Innovation Lab (NAHB): HUD UM Bulletin No. 73a & (B45.5/IAPMO Z124 Z124.6)
UL in the US and Canada: HUD UM Bulletin No. 73a & (B45.5/IAPMO Z124 Z124.6)




For router bit recommendations visit:
www.Gemstoness.com/tech



1612-V Lavatory Bowl

(No Overflow Model)


I.D.: 15 13/16" x 11 13/16" (402 mm x 300 mm)	 ADA Compliant
Depth: 5"* (127 mm)	
*Depth does not include counter top thickness	




The Gemstone 1612-V lavatory bowl is one of the most popular sized bowl in the industry. This bowl is used in all applications including residential, commercial, healthcare, hospitality, and more. The

1612-V has no overflow. The design is sleek and efficient with unparalleled performance. This bowl is also offered with an integrated overflow option. Please see the specification for the 1612-VO for more information.

Gemstone Sinks are compatible and warranted when used with all major solid surface sheet brands (acrylic and polyester) with the same sheet warranties.

 Gemstone supports conservation and green building practices. Gemstone Packages all products in 100% recyclable packaging using boxes made primarily of recycled paper.

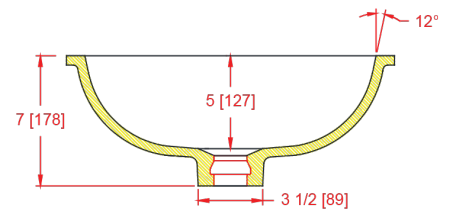
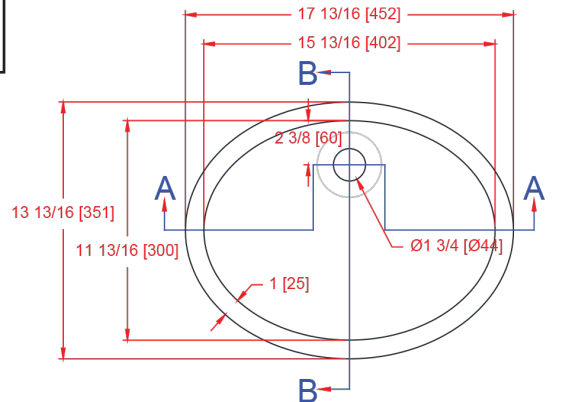
 Gemstone sinks are proudly made in the USA and certified by:

Home Innovation Lab (NAHB): HUD UM Bulletin No. 73a & (B45.5/IAPMO Z124 Z124.6)

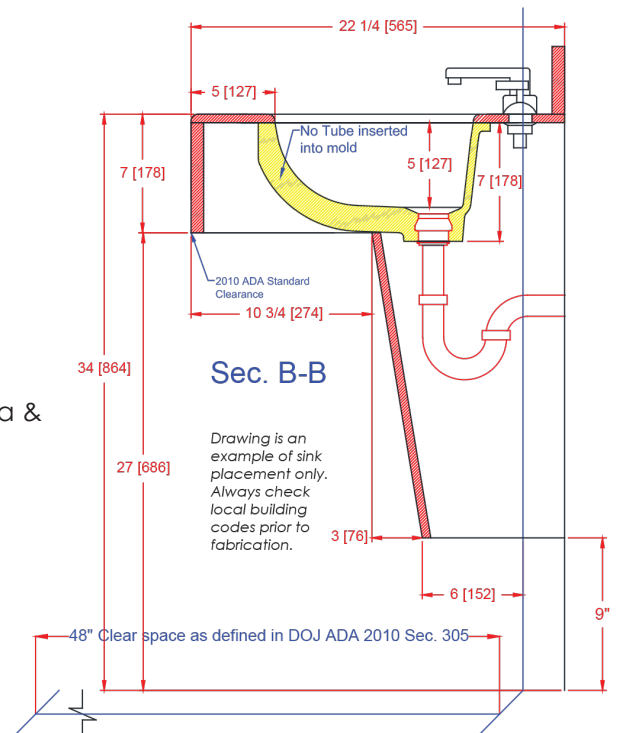
UL in the US and Canada: HUD UM Bulletin No. 73a & (B45.5/IAPMO Z124 Z124.6)



For router bit recommendations visit:
www.Gemstoness.com/tech



Section A-A



1613-VSO Lavatory Bowl

(Integrated Overflow Model)

I.D.: 16 7/16" x 13 1/16" (418 mm x 331 mm)
 Depth: 5 7/16"* (137 mm)
 *Depth does not include counter top thickness



The Gemstone 1613-VSO has been designed with a side overflow for commercial applications where a little more clearance is needed for covering plumbing. This bowl can be used in all applications including residential, commercial, healthcare, hospitality, and more. The 1613-VSO has a smooth integral (non-corrugated) overflow which minimizes trapped bacteria in the overflow tube itself. The design is sleek and efficient with unparalleled performance.

Gemstone Sinks are compatible and warranted when used with all major solid surface sheet brands (acrylic and polyester) with the same sheet warranties.

Gemstone Sinks are compatible and warranted when used with all major solid surface sheet brands (acrylic and polyester) with the same sheet warranties.



Gemstone supports conservation and green building practices. Gemstone Packages all products in 100% recyclable packaging using boxes made primarily of recycled paper.



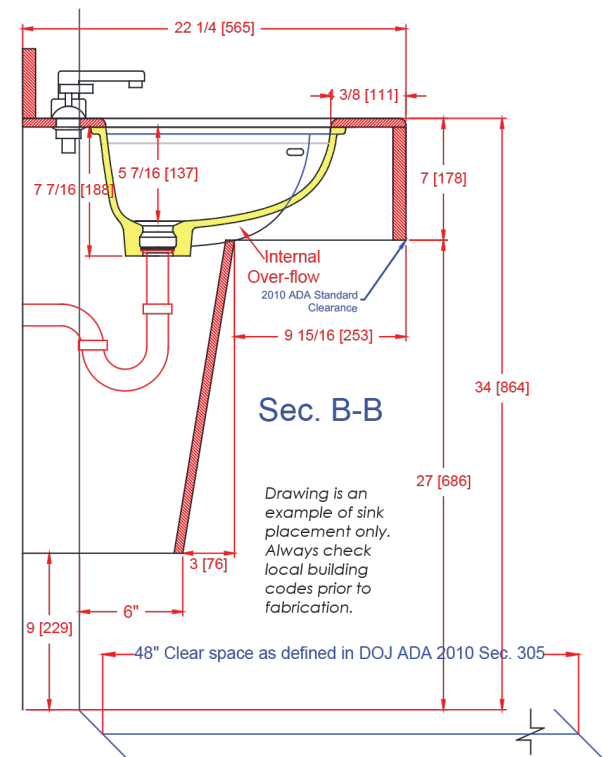
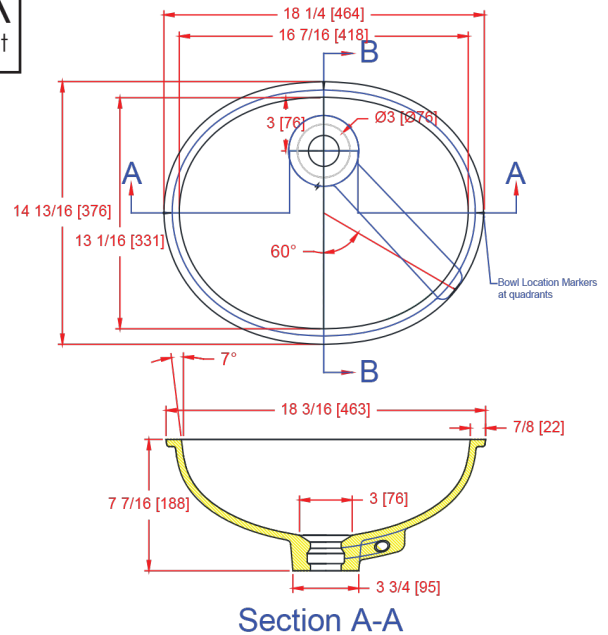
Gemstone sinks are proudly made in the USA and certified by:

Home Innovation Lab (NAHB): HUD UM Bulletin No. 73a & (B45.5/IAPMO Z124 Z124.6)

UL in the US and Canada: HUD UM Bulletin No. 73a & (B45.5/IAPMO Z124 Z124.6)



For router bit recommendations visit:
www.Gemstoness.com/tech



1914-VO Universal Lavatory Bowl (Integrated Overflow Model)

I.D.: 18 7/8" x 13 5/8" (479 mm x 346 mm)
 Depth: 6"* (152 mm)
 *Depth does not include counter top thickness



The Gemstone 1914-VO lavatory bowl is a larger bowl with nice symmetry. This bowl is used in all applications including residential, commercial, healthcare, hospitality, and more. The 1914-VO has a smooth integral (non-corrugated) overflow which minimizes trapped bacteria in the overflow tube itself. This bowl is also offered with in a non-overflow model. Please see the specification for the 1914-V for more information.

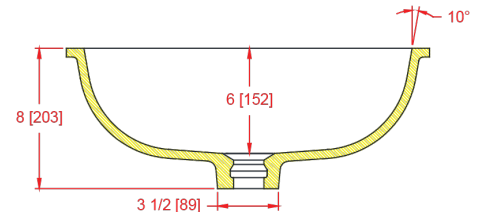
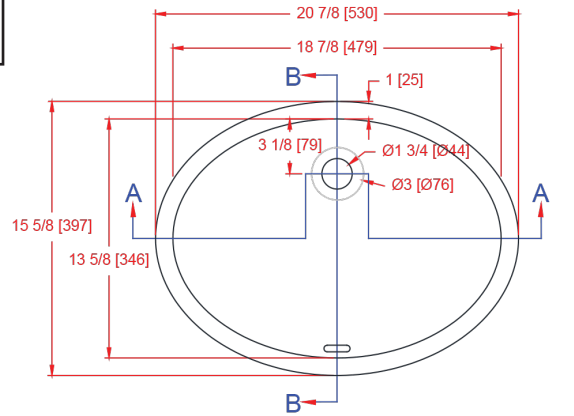
Gemstone Sinks are compatible and warranted when used with all major solid surface sheet brands (acrylic and polyester) with the same sheet warranties.

Gemstone supports conservation and green building practices. Gemstone Packages all products in 100% recyclable packaging using boxes made primarily of recycled paper.

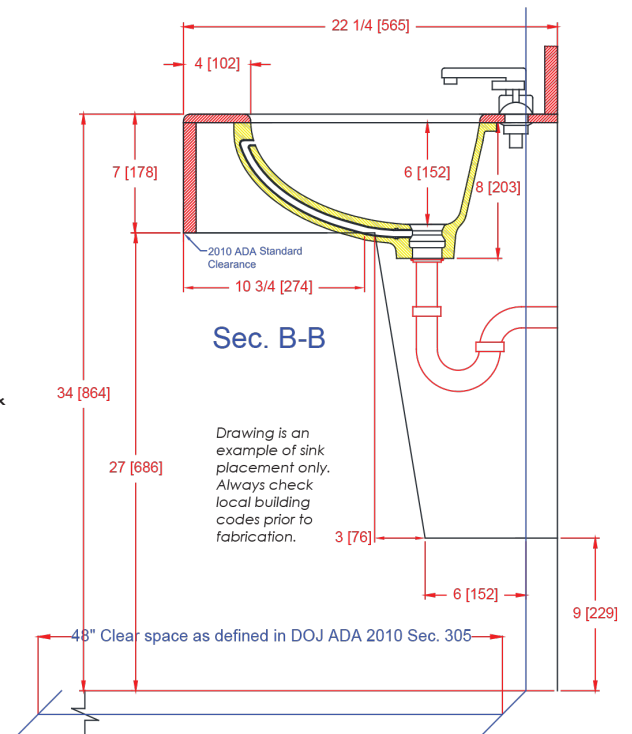
Gemstone sinks are proudly made in the USA and certified by:
Home Innovation Lab (NAHB): HUD UM Bulletin No. 73a & (B45.5/IAPMO Z124 Z124.6)
UL in the US and Canada: HUD UM Bulletin No. 73a & (B45.5/IAPMO Z124 Z124.6)



For router bit recommendations visit:
www.Gemstoness.com/tech




Section A-A



1914-V Universal Lavatory Bowl

(No Overflow Model)

I.D.: 18 7/8" x 13 5/8" (479 mm x 346 mm)	 ADA Compliant
Depth: 6"* (152 mm)	


*Depth does not include counter top thickness




The Gemstone 1914-V lavatory bowl is a larger bowl with nice symmetry. This bowl is used in all applications including residential, commercial, healthcare, hospitality, and more. The 1914-V has no

overflow. The design is sleek and efficient with unparalleled performance. This bowl is also offered with an integrated overflow option. Please see the specification for the 1914-VO for more information.

Gemstone Sinks are compatible and warranted when used with all major solid surface sheet brands (acrylic and polyester) with the same sheet warranties.

 Gemstone supports conservation and green building practices. Gemstone Packages all products in 100% recyclable packaging using boxes made primarily of recycled paper.

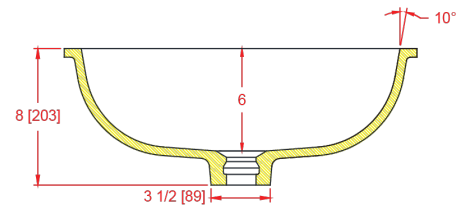
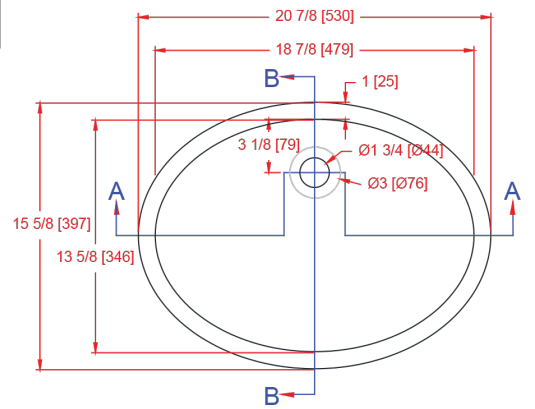
 Gemstone sinks are proudly made in the USA and certified by:

Home Innovation Lab (NAHB): HUD UM Bulletin No. 73a & (B45.5/IAPMO Z124 Z124.6)

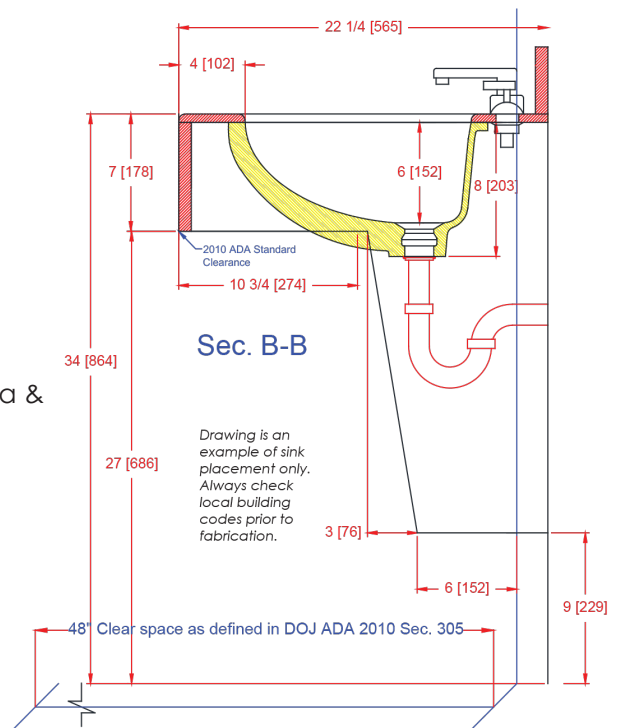
UL in the US and Canada: HUD UM Bulletin No. 73a & (B45.5/IAPMO Z124 Z124.6)



For router bit recommendations visit:
www.Gemstoness.com/tech



Section A-A



1217-VO Lavatory Bowl

(Integrated Rear Overflow Model)

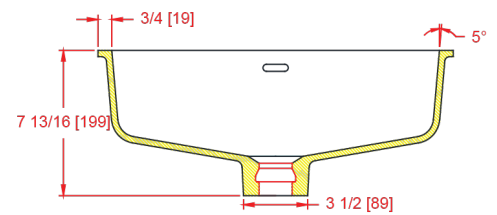
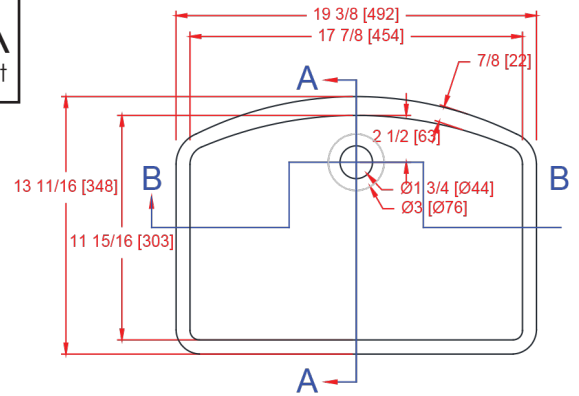
I.D.: 17 7/8" x 11 15/16" (454 mm x 303 mm)
 Depth: 5 11/16"* (145 mm)
 *Depth does not include counter top thickness



The Gemstone 1217-VO is one of the newest additions to the Gemstone vanity line-up. The rear integrated overflow uses a non corrugated tube minimizing trapped bacteria as well lends to an easy ADA installation when needed with a deeper than normal ADA bowl.

The 1217 is available in both overflow and non overflow models and works well in commercial and residential applications.

Gemstone Sinks are compatible and warranted when used with all major solid surface sheet brands (acrylic and polyester) with the same sheet warranties.



Section B-B



Gemstone supports conservation and green building practices. Gemstone Packages all products in 100% recyclable packaging using boxes made primarily of recycled paper.



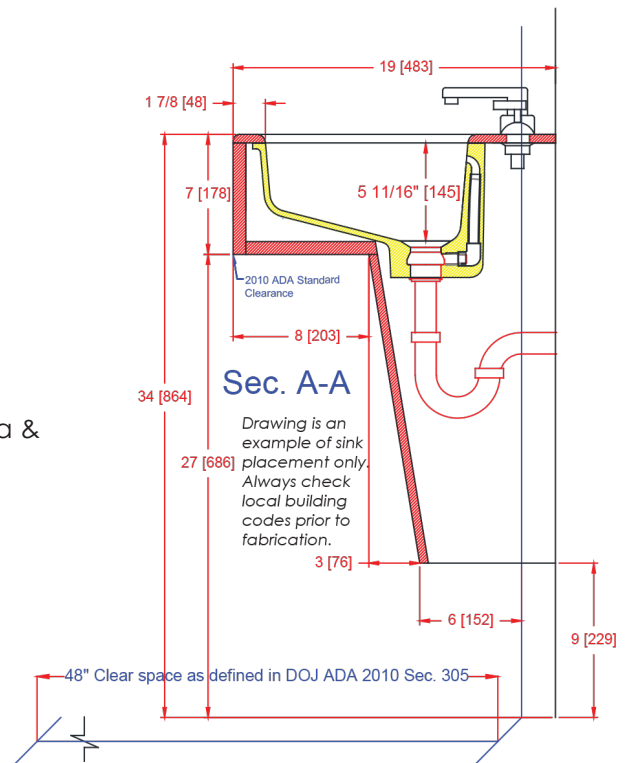
Gemstone sinks are proudly made in the USA and certified by:

Home Innovation Lab (NAHB): HUD UM Bulletin No. 73a & (B45.5/IAPMO Z124 Z124.6)

UL in the US and Canada: HUD UM Bulletin No. 73a & (B45.5/IAPMO Z124 Z124.6)



For router bit recommendations visit:
www.Gemstoness.com/tech



1217-V Lavatory Bowl

(No Overflow Model)

I.D.: 17 7/8" x 11 15/16" (454 mm x 303 mm)
 Depth: 5 11/16"* (145 mm)
 *Depth does not include counter top thickness



The Gemstone 1217-V is one of the newest additions to the Gemstone vanity line-up. The rear integrated overflow uses a non corrugated tube minimizing trapped bacteria as well lends to an easy ADA

installation when needed with a deeper than normal ADA bowl. The 1217 is available in both overflow and non overflow models and works well in commercial and residential applications.

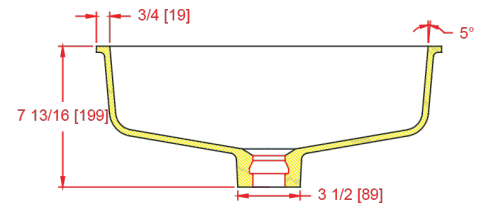
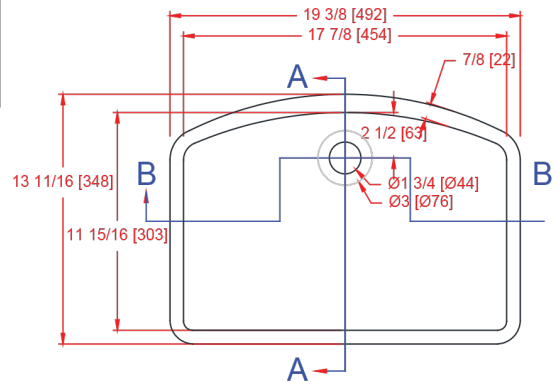
Gemstone Sinks are compatible and warranted when used with all major solid surface sheet brands (acrylic and polyester) with the same sheet warranties.

Gemstone supports conservation and green building practices. Gemstone Packages all products in 100% recyclable packaging using boxes made primarily of recycled paper.

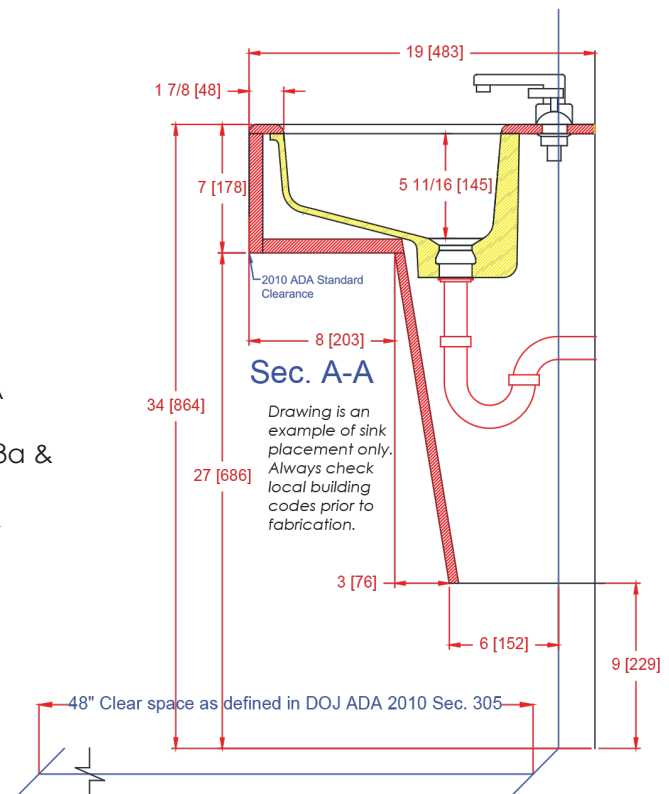
Gemstone sinks are proudly made in the USA and certified by:
Home Innovation Lab (NAHB): HUD UM Bulletin No. 73a & (B45.5/IAPMO Z124 Z124.6)
UL in the US and Canada: HUD UM Bulletin No. 73a & (B45.5/IAPMO Z124 Z124.6)



For router bit recommendations visit:
www.Gemstoness.com/tech




Section B-B



1712-VO Lavatory Bowl


(Integrated Rear Overflow Model)


I.D.: 17 7/8" x 11 15/16" (454 mm x 303 mm)	 ADA Compliant
Depth: 5 11/16"* (145 mm)	
*Depth does not include counter top thickness	



The Gemstone 1712-VO is one of the newest additions to the Gemstone vanity line-up. The rear integrated overflow uses a non corrugated tube minimizing trapped bacteria as well lends to an easy ADA installation when needed with a deeper than normal ADA bowl. The 1712 is available in both overflow and non overflow models and works well in commercial and residential applications.

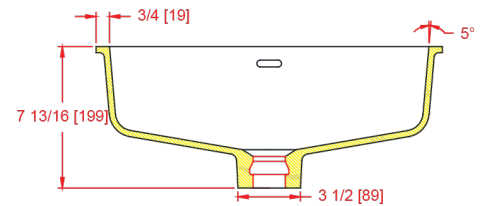
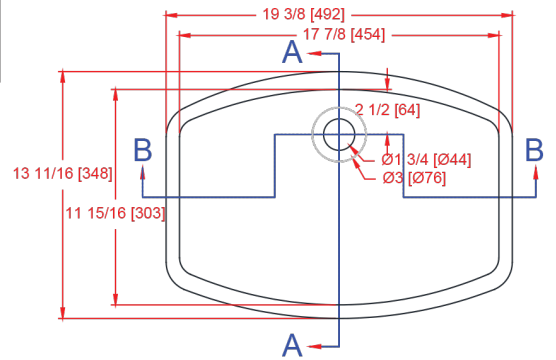
Gemstone Sinks are compatible and warranted when used with all major solid surface sheet brands (acrylic and polyester) with the same sheet warranties.

 Gemstone supports conservation and green building practices. Gemstone Packages all products in 100% recyclable packaging using boxes made primarily of recycled paper.

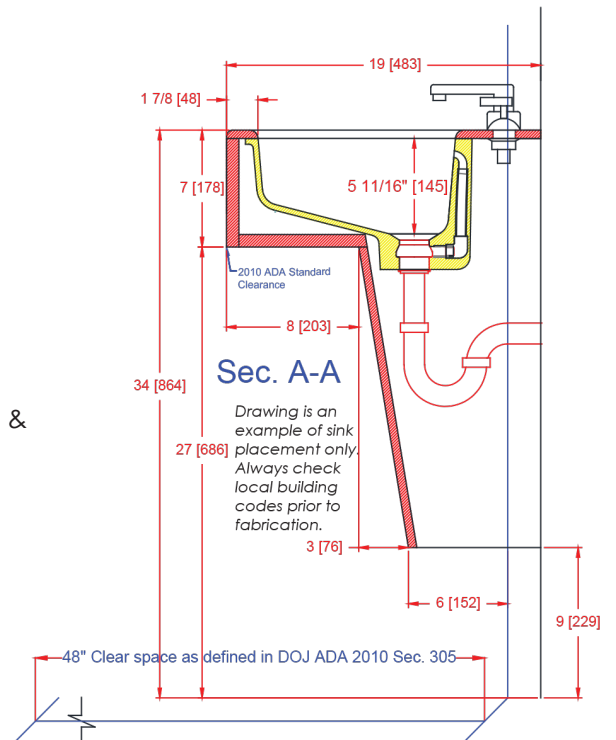
 Gemstone sinks are proudly made in the USA and certified by:
Home Innovation Lab (NAHB): HUD UM Bulletin No. 73a & (B45.5/IAPMO Z124 Z124.6)
UL in the US and Canada: HUD UM Bulletin No. 73a & (B45.5/IAPMO Z124 Z124.6)



For router bit recommendations visit:
www.Gemstoness.com/tech




Section B-B



1712-V Lavatory Bowl

(No Overflow Model)


I.D.: 17 7/8" x 11 15/16" (454 mm x 303 mm)	 ADA Compliant
Depth: 5 11/16"* (145 mm)	
*Depth does not include counter top thickness	




The Gemstone 1712-V is one of the newest additions to the Gemstone vanity line-up. The rear integrated overflow uses a non corrugated tube minimizing trapped bacteria as well lends to an easy ADA installation when needed with

a deeper than normal ADA bowl. The 1712 is available in both overflow and non overflow models and works well in commercial and residential applications.

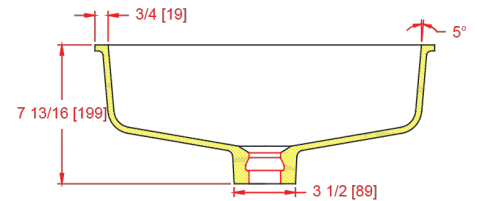
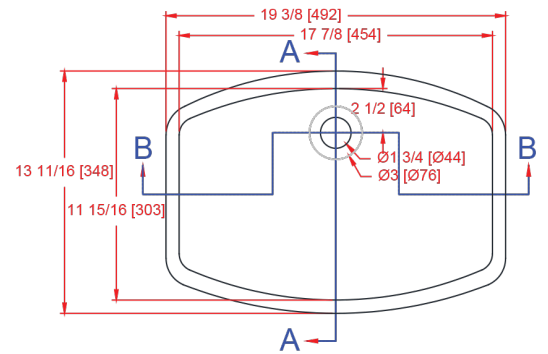
Gemstone Sinks are compatible and warranted when used with all major solid surface sheet brands (acrylic and polyester) with the same sheet warranties.

 Gemstone supports conservation and green building practices. Gemstone Packages all products in 100% recyclable packaging using boxes made primarily of recycled paper.

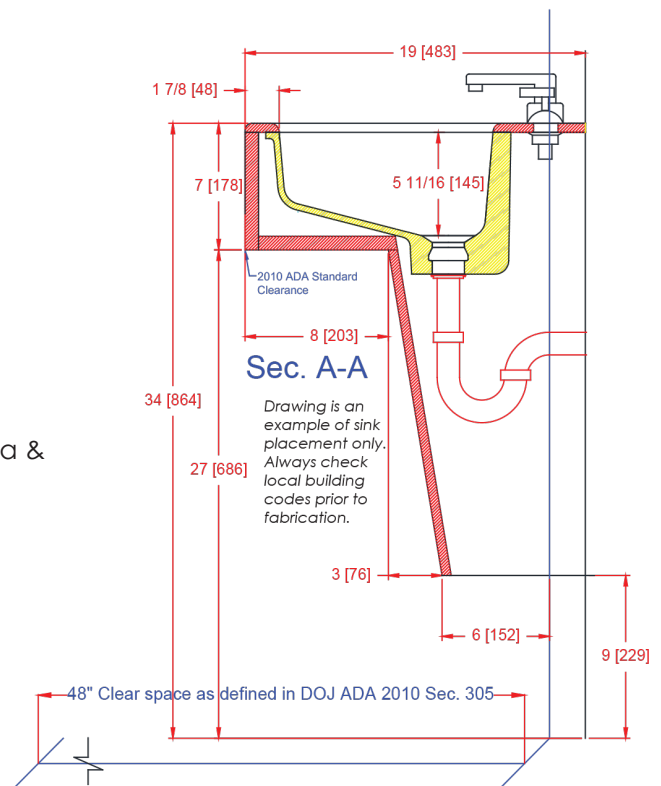
 Gemstone sinks are proudly made in the USA and certified by:
Home Innovation Lab (NAHB): HUD UM Bulletin No. 73a & (B45.5/IAPMO Z124 Z124.6)
UL in the US and Canada: HUD UM Bulletin No. 73a & (B45.5/IAPMO Z124 Z124.6)



For router bit recommendations visit:
www.Gemstoness.com/tech



Section B-B



2112-VO Vanity Sink

(Overflow Model)

I.D.: 21 5/8" x 12 5/8" (550 mm x 320 mm)
 Depth: 5 1/8"* (131 mm)
 *Depth does not include counter top thickness



The Gemstone 2112-VO lavatory bowl is part of Gemstone's commitment to design. Design, function, performance are critical for today's architects, designers and homeowners. The 2112-VO is ideal for all applications,

residential, clinical, commercial, restaurants and laboratories. The offset overflow in the back allows for easy faucet installation and facilitates ADA sink placement when needed. The large size of this vanity and sleek desing make this a great sink for functional bathrooms and the tight corners give the 2112-VO a sleek and modern look. The 2112 is also offered without an overflow if specified.

Gemstone Sinks are compatible and warranted when used with all major solid surface sheet brands (acrylic and polyester) with the same sheet warranties.



Gemstone supports conservation and green building practices. Gemstone Packages all products in 100% recyclable packaging using boxes made primarily of recycled paper.



Gemstone sinks are proudly made in the USA and certified by:

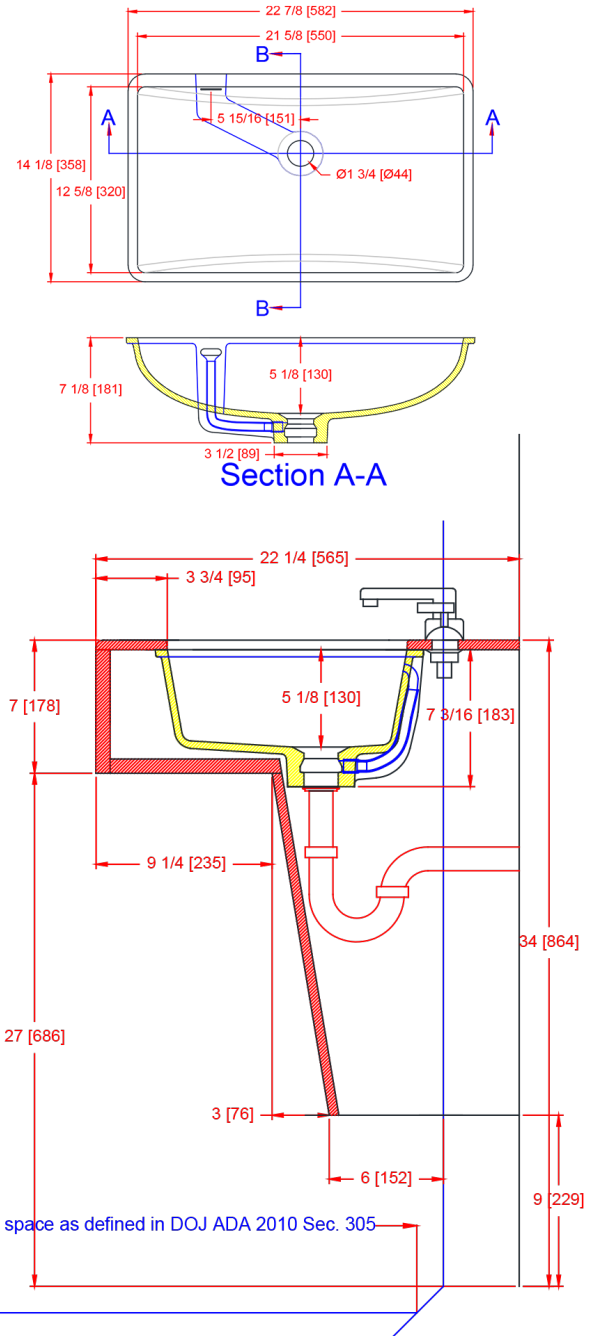
Home Innovation Lab (NAHB): HUD UM Bulletin No. 73a & (B45.5/IAPMO Z124 Z124.6)

UL in the US and Canada: HUD UM Bulletin No. 73a & (B45.5/IAPMO Z124 Z124.6)




For router bit recommendations visit:

www.Gemstoness.com/tech



2112-V Vanity Sink

(No Overflow Model)


I.D.: 21 5/8" x 12 5/8" (550 mm x 320 mm)	 ADA Compliant
Depth: 5 1/8"* (131 mm)	
*Depth does not include counter top thickness	




The Gemstone 2112-V lavatory bowl is part of Gemstone's commitment to design. Design, function, performance are critical for today's architects, designers and homeowners. The 2112-V is ideal for all applications,

residential, clinical, commercial, restaurants and laboratories. The offset overflow in the back allows for easy faucet installation and facilitates ADA sink placement when needed. The large size of this vanity and sleek design Gems make this a great sink for functional bathrooms and the tight corners give the 2112-V a sleek and modern look. The 2112 is also offered with an overflow if specified.

Gemstone Sinks are compatible and warranted when used with all major solid surface sheet brands (acrylic and polyester) with the same sheet warranties.

 Gemstone supports conservation and green building practices. Gemstone Packages all products in 100% recyclable packaging using boxes made primarily of recycled paper.

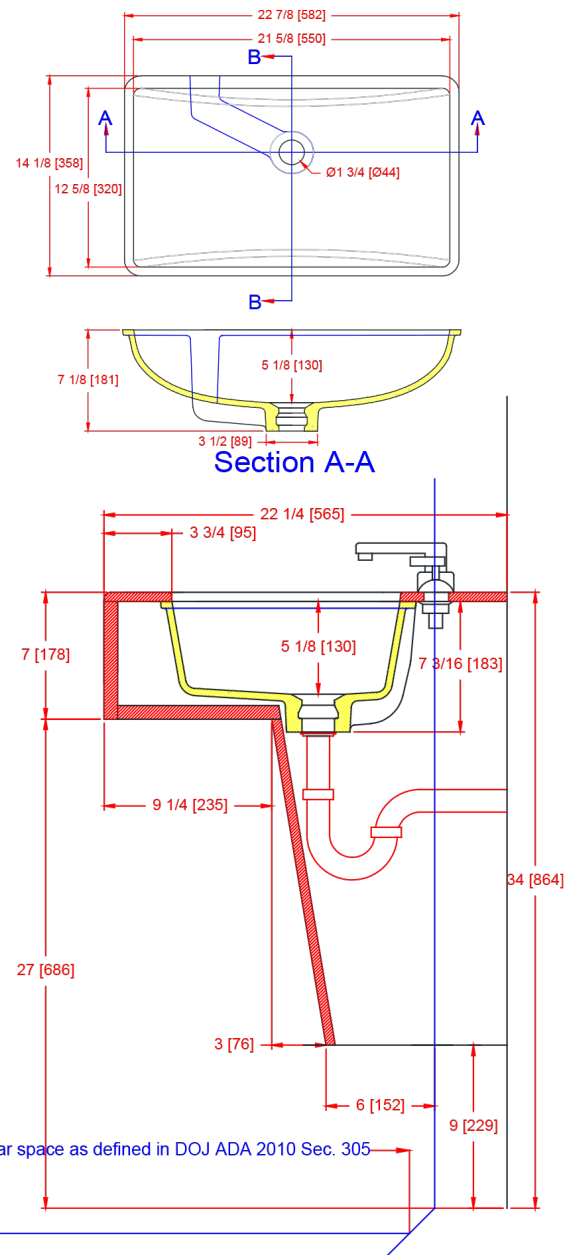
 Gemstone sinks are proudly made in the USA and certified by:

Home Innovation Lab (NAHB): HUD UM Bulletin No. 73a & (B45.5/IAPMO Z124 Z124.6)

UL in the US and Canada: HUD UM Bulletin No. 73a & (B45.5/IAPMO Z124 Z124.6)



For router bit recommendations visit:
www.Gemstoness.com/tech



L1114-V Universal Lavatory Bowl

(No Overflow Model)

I.D.: 14" x 11" (356mm x 279mm)
 Depth: 5"* (127 mm)
 *Depth does not include counter top thickness



The Gemstone L1114-VO left curve lavatory is one of the newest additions to the Gemstone healthcare line up of sinks and vanities featuring an offset drain with no overflow for maximum infection control.

The 1114-V is offered in both a left and right hand version where a small wash basin is required for maximum space saving installations. This vanity is excellent for patient rooms, or other areas needing an efficient, space saving and contemporary looking sink. The 5" depth allows for easy ADA placement.

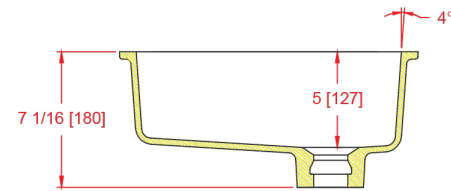
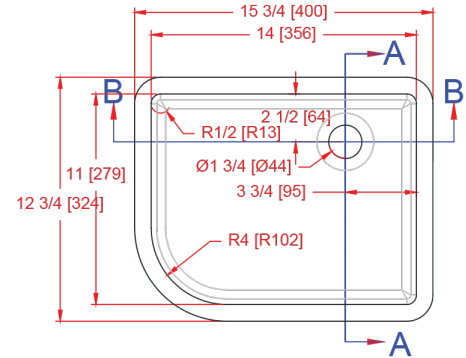
Gemstone Sinks are compatible and warranted when used with all major solid surface sheet brands (acrylic and polyester) with the same sheet warranties.

Gemstone supports conservation and green building practices. Gemstone Packages all products in 100% recyclable packaging using boxes made primarily of recycled paper.

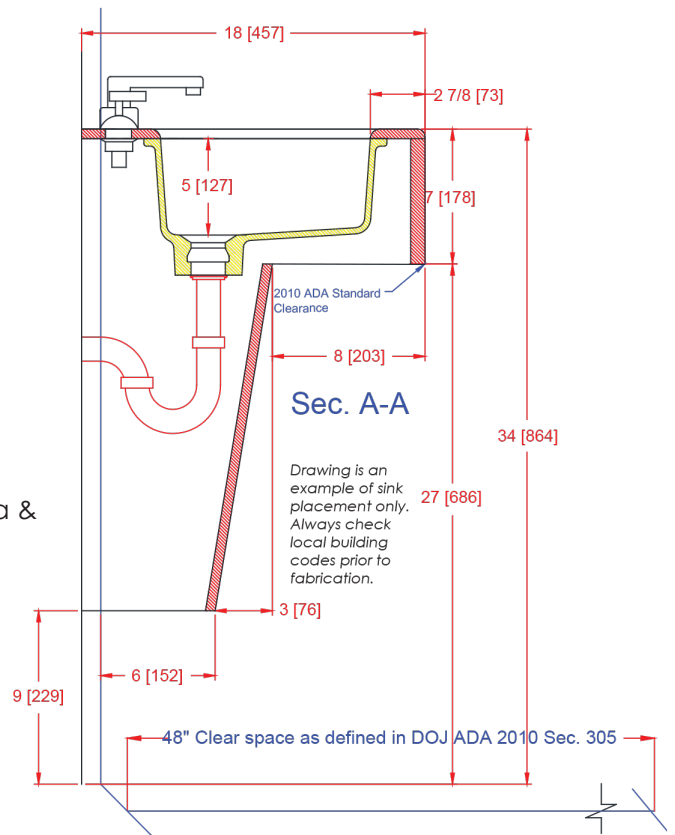
Gemstone sinks are proudly made in the USA and certified by:
Home Innovation Lab (NAHB): HUD UM Bulletin No. 73a & (B45.5/IAPMO Z124 Z124.6)
UL in the US and Canada: HUD UM Bulletin No. 73a & (B45.5/IAPMO Z124 Z124.6)



For router bit recommendations visit:
www.Gemstoness.com/tech



Section B-B



R1114-V Universal Lavatory Bowl

(No Overflow Model)

I.D.: 14" x 11" (356mm x 279mm)
 Depth: 5"* (127 mm)
 *Depth does not include counter top thickness



The Gemstone R1114-VO right curve lavatory is one of the newest additions to the Gemstone healthcare line up of sinks and vanities featuring an offset drain with no overflow for maximum infection control. The 1114-V is offered in both a left and right hand version where a small wash basin is required for maximum space saving installations. This vanity is excellent for patient rooms, or other areas needing an efficient, space saving and contemporary looking sink. The 5" depth allows for easy ADA placement.

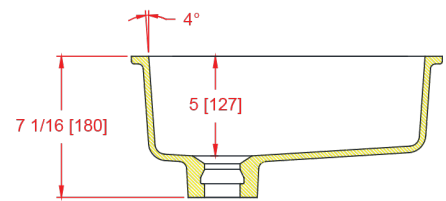
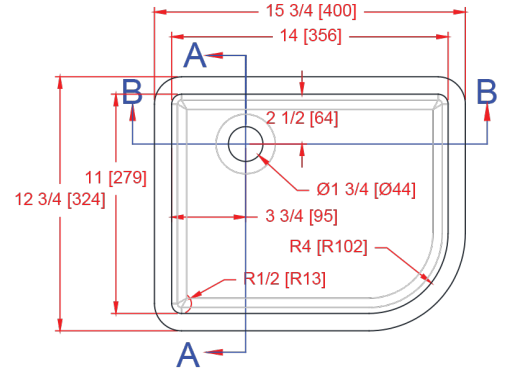
Gemstone Sinks are compatible and warranted when used with all major solid surface sheet brands (acrylic and polyester) with the same sheet warranties.

Gemstone supports conservation and green building practices. Gemstone Packages all products in 100% recyclable packaging using boxes made primarily of recycled paper.

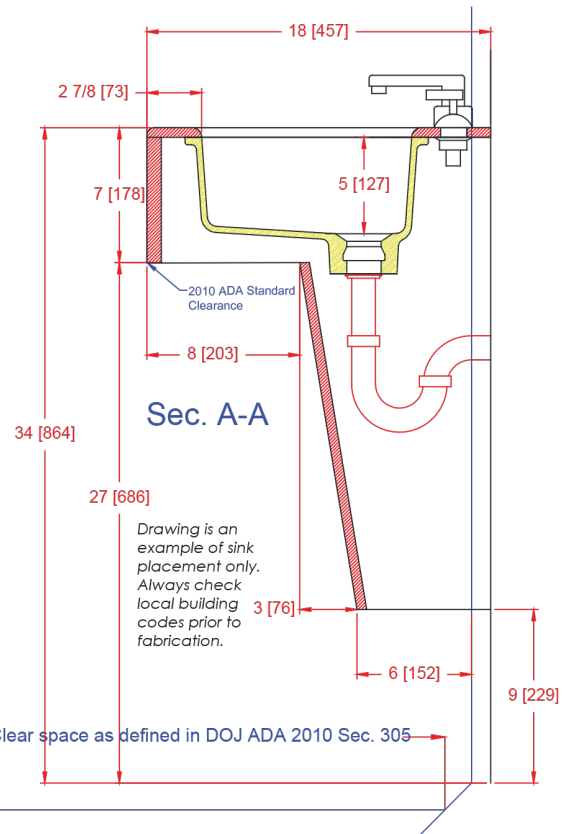
Gemstone sinks are proudly made in the USA and certified by:
Home Innovation Lab (NAHB): HUD UM Bulletin No. 73a & (B45.5/IAPMO Z124 Z124.6)
UL in the US and Canada: HUD UM Bulletin No. 73a & (B45.5/IAPMO Z124 Z124.6)



For router bit recommendations visit:
www.Gemstoness.com/tech



Section B-B



RT1610-V Universal Lavatory Bowl

(No Overflow Model)

I.D.: 15 3/4" x 9 7/8" (400 mm x 251 mm)

Depth: 4 1/2"* (114 mm)

*Depth does not include counter top thickness



The Gemstone RT1610-V "Race Track" lavatory bowl is part of Gemstone's commitment to design that is appealing to all. Design, function, performance are critical for today's architects, designers and homeowners. The

RT1610-V is ideal for all applications, residential, clinical, commercial, restaurants and laboratories but was specifically designed for narrow vanity cabinets or applications where space is a premium. The RT1610-VO with an overflow is also available and has a smooth overflow tube which maximizes infection control in hospital applications in a bowl requiring an overflow.

Gemstone Sinks are compatible and warranted when used with all major solid surface sheet brands (acrylic and polyester) with the same sheet warranties.



Gemstone supports conservation and green building practices. Gemstone Packages all products in 100% recyclable packaging using boxes made primarily of recycled paper.



Gemstone sinks are proudly made in the USA and certified by:

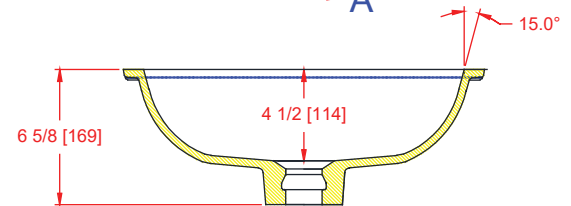
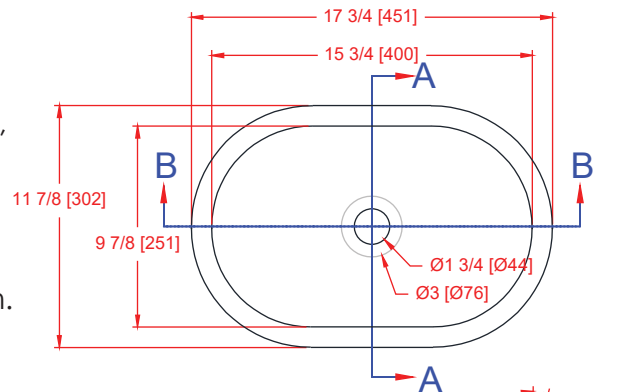
Home Innovation Lab (NAHB): HUD UM Bulletin No. 73a & (B45.5/IAPMO Z124 Z124.6)

UL in the US and Canada: HUD UM Bulletin No. 73a & (B45.5/IAPMO Z124 Z124.6)

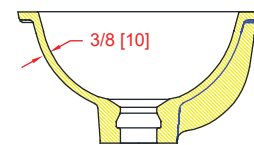


For router bit recommendations visit:

www.Gemstoness.com/tech



Section B-B



Section A-A
RT1610-V

RT1610-VO Universal Lavatory Bowl

(Overflow Model)

I.D.: 15 3/4" x 9 7/8" (400 mm x 251 mm)

Depth: 4 1/2"* (114 mm)

*Depth does not include counter top thickness



The Gemstone RT1610-V "Race Track" lavatory bowl is part of Gemstone's commitment to design that is appealing to all. Design, function, performance are critical for today's architects, designers and homeowners. The

RT1610-V is ideal for all applications, residential, clinical, commercial, restaurants and laboratories but was specifically designed for narrow vanity cabinets or applications where space is a premium. The RT1610-VO with an overflow is also available and has a smooth overflow tube which maximizes infection control in hospital applications in a bowl requiring an overflow.

Gemstone Sinks are compatible and warranted when used with all major solid surface sheet brands (acrylic and polyester) with the same sheet warranties.



Gemstone supports conservation and green building practices. Gemstone Packages all products in 100% recyclable packaging using boxes made primarily of recycled paper.



Gemstone sinks are proudly made in the USA and certified by:

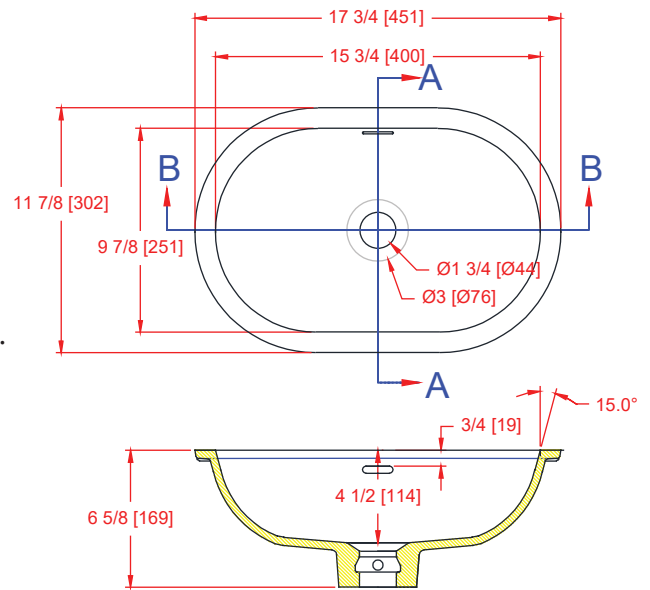
Home Innovation Lab (NAHB): HUD UM Bulletin No. 73a & (B45.5/IAPMO Z124 Z124.6)

UL in the US and Canada: HUD UM Bulletin No. 73a & (B45.5/IAPMO Z124 Z124.6)

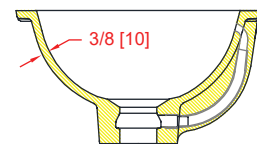


For router bit recommendations visit:

www.Gemstoness.com/tech



Section B-B



Section A-A
RT1610-VO

Small
Singles



1012-ES
I.D.: 12 1/2" x 10 1/2"
(318 x 267)
Depth 6 1/2"* (165)



1016-S
I.D.: 15 3/4" x 10"
(400 x 254)
Depth 4 1/8"* (105)



1318-S
I.D.: 15 5/8" x 10 3/4"
(397 x 273)
Depth 7"* (178)



1411-ES
I.D.: 14" x 10 3/4"
(356 x 273)
Depth 6 3/4"* (171)



1517-S
I.D.: 13 1/4" x 14 1/2"
(368 x 337)
Depth 8"* (203)

Grouping
Singles



1507-ES
I.D.: 14 3/4" x 6 1/2"
(375 x 165)
Depth 5"* (127)



1515-ES
I.D.: 14 3/4" x 14 3/4"
(375 x 375)
Depth 8 7/8"* (200)



1815-S
I.D.: 17 5/8" x 14 3/4"
(448 x 375)
Depth 8 7/8"* (225)



1524-ES
I.D.: 23 5/8" x 14 3/4"
(600 x 375)
Depth 7 7/8"* (200)



1616-S
I.D.: 15 3/4" x 15 3/4"
(397 x 397)
Depth 8 1/2"* (213)

Medium &
Special



N1616-S
I.D.: 15 3/4" x 15 3/4"
(400 x 400)
Depth 8 1/2"* (216)



1616-ES
I.D.: 15 3/4" x 15 3/4"
(400 x 400)
Depth 11 3/4"* (298)



1616-UES
I.D.: 15 3/4" x 15 3/4"
(400 x 400)
Depth 5 1/2"* (140)



1624-UES
I.D.: 23 5/8" x 15 3/4"
(600 x 400)
Depth 5 1/2"* (140)



2116-US
I.D.: 20 3/4" x 15 3/4"
(527 x 400)
Depth 3"* (76)

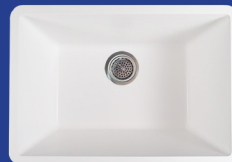
Large & Deep
Singles



2015-ES
I.D.: 20 3/8" x 15 5/8"
(518 x 397)
Depth 8 1/2"* (216)



2318-S
I.D.: 20 3/4" x 15 3/4"
(527 x 400)
Depth 9"* (229)



2416-ES
I.D.: 23 5/8" x 15 3/4"
(600 x 400)
Depth 11 3/4"* (298)



2615-S
I.D.: 25 3/4" x 14 3/4" (654 x 375)
Depth 7"* (178)
(Drain reversible left or right)

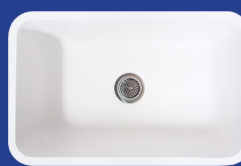
ADA & Large
Singles



2716-US
I.D.: 27" x 16"
(686 x 406)
Depth 5 1/2"* (140)



2718-S
I.D.: 25 3/4" x 14 3/4"
(654 x 375)
Depth 7"* (178)



2818-S
I.D.: 26" x 16"
(660 x 406)
Depth 8 3/4"* (222)



3217-ES
I.D.: 32" x 16 3/4"
(813 x 425)
Depth 7 7/8"* (200)

1012-ES Single Bowl Sink

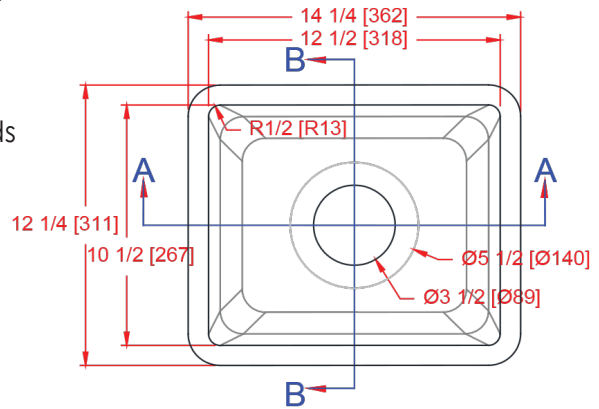
I.D.: 12 1/2" x 10 1/2" (318 mm x 267 mm)
Depth: 6 1/2"* (165mm)
*Depth does not include counter top thickness



The Gemstone 1012-ES Single Bowl Sink provides a seamless kitchen utility/ laboratory sink in any solid surface sheet material, acrylic, polyester or blended. The 1012-ES is the smallest of Gemstone's utility sinks for commercial and residential

spaces, fitting well in tight places or any situation where a small, rectangular sink is required. This sink can be installed in either direction.

Gemstone Sinks are compatible and warranted when used with all major solid surface sheet brands with the same sheet warranties.



Gemstone supports conservation and green building practices. Gemstone Packages all products in 100% recyclable packaging using boxes made primarily of recycled paper.



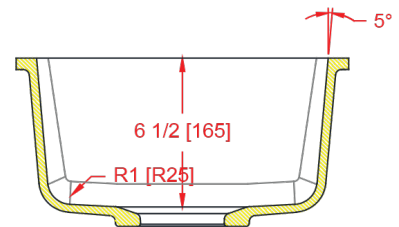
Gemstone sinks are proudly made in the USA and certified by:

Home Innovation Lab (NAHB): HUD UM Bulletin No. 73a & (B45.5/IAPMO Z124 Z124.6)

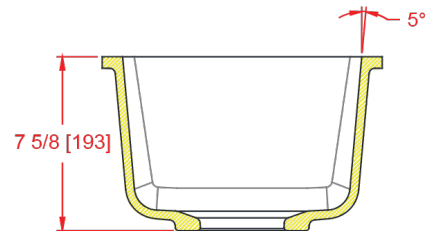
UL in the US and Canada: HUD UM Bulletin No. 73a & (B45.5/IAPMO Z124 Z124.6)



For router bit recommendations visit:
www.Gemstoness.com/tech



Section A-A



Section B-B

1016-S Single Bowl Sink


I.D.: 15 3/4" x 10" (400 mm x 254 mm)
Depth: 4 1/8"* (105 mm)
*Depth does not include counter top thickness




The Gemstone 1016-S Single Bowl Sink provides a seamless kitchen utility/ laboratory sink in any solid surface sheet material, acrylic, polyester or blended. This sink fits well in a tight places or in any

situation where a small, rectangular sink is required, including residential, clinical, or other commercial uses. This sink can be installed in either direction.

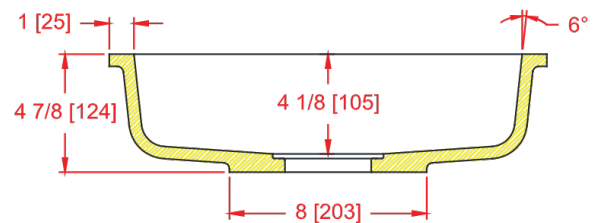
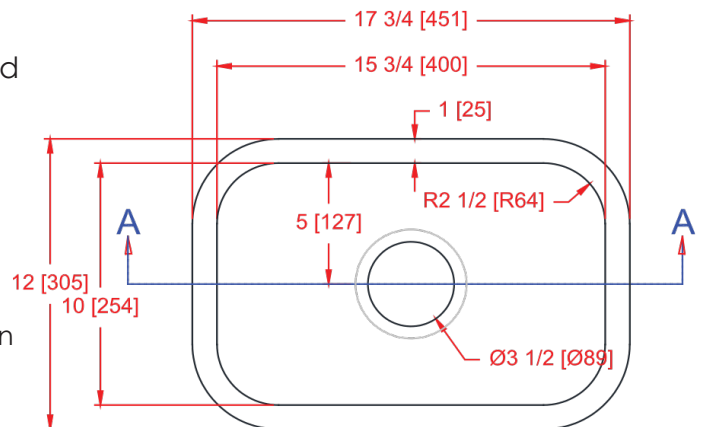
Gemstone Sinks are compatible and warranted when used with all major solid surface sheet brands with the same sheet warranties.

 Gemstone supports conservation and green building practices. Gemstone Packages all products in 100% recyclable packaging using boxes made primarily of recycled paper.

 Gemstone sinks are proudly made in the USA and certified by:
Home Innovation Lab (NAHB): HUD UM Bulletin No. 73a & (B45.5/IAPMO Z124 Z124.6)
UL in the US and Canada: HUD UM Bulletin No. 73a & (B45.5/IAPMO Z124 Z124.6)



For router bit recommendations visit:
www.Gemstoness.com/tech



Section A-A

1318-S Single Bowl Sink


I.D.: 15 5/8" x 10 3/4" (397 mm x 273 mm)
Depth: 7"* (178 mm)
*Depth does not include counter top thickness




The Gemstone 1318-S Single Bowl Sink provides a seamless kitchen utility/ laboratory sink in any solid surface sheet material, acrylic, polyester or blended. This sink fits well in a tight places, along side other single bowl

sinks creating a double bowl appearance, or in any situation where a small, rectangular sink is required, including residential, clinical, or other commercial uses. This sink can be installed in either direction.

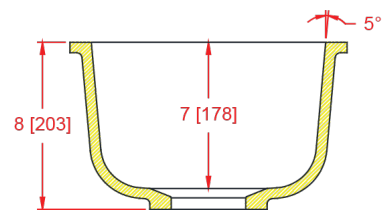
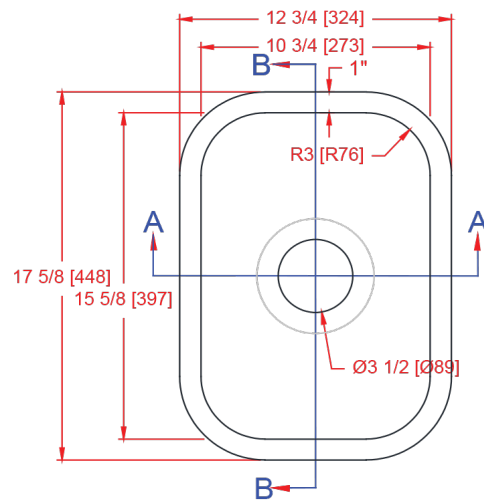
Gemstone Sinks are compatible and warranted when used with all major solid surface sheet brands with the same sheet warranties.

 Gemstone supports conservation and green building practices. Gemstone Packages all products in 100% recyclable packaging using boxes made primarily of recycled paper.

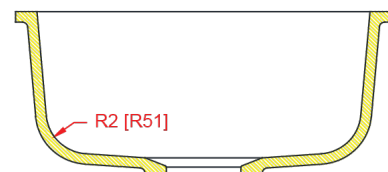
 Gemstone sinks are proudly made in the USA and certified by:
Home Innovation Lab (NAHB): HUD UM Bulletin No. 73a & (B45.5/IAPMO Z124 Z124.6)
UL in the US and Canada: HUD UM Bulletin No. 73a & (B45.5/IAPMO Z124 Z124.6)



For router bit recommendations visit:
www.Gemstoness.com/tech



Section A-A



Section B-B

1411-ES Single Bowl Sink

I.D.: 14" x 10 3/4" (356 mm x 273 mm)
Depth: 6 3/4"* (171mm)
*Depth does not include counter top thickness



The Gemstone 1411-ES Single Bowl Sink provides a seamless kitchen utility/ laboratory sink in any solid surface sheet material, acrylic, polyester or blended. The 1411-ES is Gemstone's updated version of the 1411-

S and 1014-S, fitting well in tight places or any situation where a small, rectangular sink is required, including residential, clinical, or other commercial uses. This sink can be installed in either direction.

Gemstone Sinks are compatible and warranted when used with all major solid surface sheet brands with the same sheet warranties.



Gemstone supports conservation and green building practices. Gemstone Packages all products in 100% recyclable packaging using boxes made primarily of recycled paper.



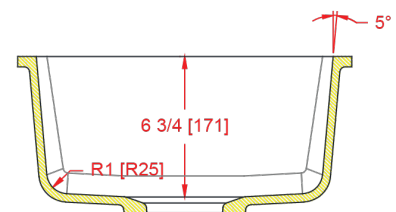
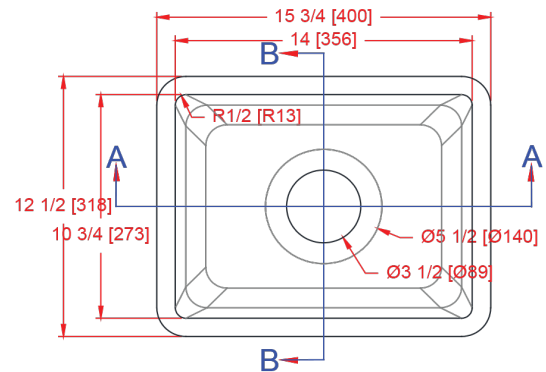
Gemstone sinks are proudly made in the USA and certified by:

Home Innovation Lab (NAHB): HUD UM Bulletin No. 73a & (B45.5/IAPMO Z124 Z124.6)

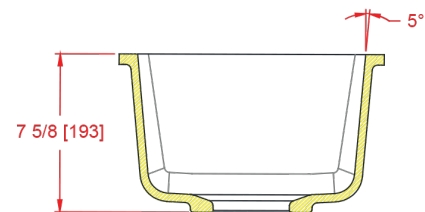
UL in the US and Canada: HUD UM Bulletin No. 73a & (B45.5/IAPMO Z124 Z124.6)



For router bit recommendations visit:
www.Gemstoness.com/tech



Section A-A



Section B-B

1517-S Single Bowl Sink

I.D.: 13 1/4" x 14 1/2" (337 mm x 368 mm)
Depth: 8" (203 mm)
*Depth does not include counter top thickness



The Gemstone 1517-S is an excellent 8" deep single bowl prep sink. The 1517-S can also be used in any laboratory or clinical application as solid surface is stain and chemical resistant and has many uses

and functions. This single bowl kitchen sink provides a seamless sink in any solid surface sheet material, acrylic, polyester or blended.



Gemstone Sinks are compatible and warranted when used with all major solid surface sheet brands with the same sheet warranties.



Gemstone supports conservation and green building practices. Gemstone Packages all products in 100% recyclable packaging using boxes made primarily of recycled paper.



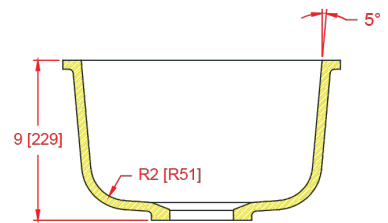
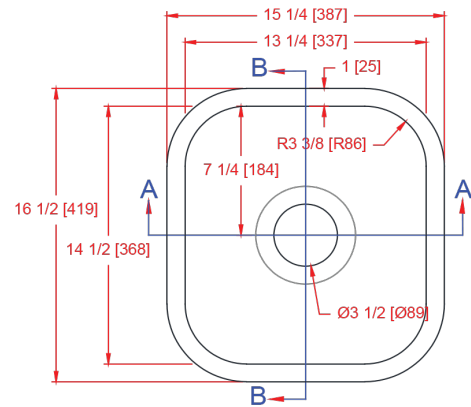
Gemstone sinks are proudly made in the USA and certified by:

Home Innovation Lab (NAHB): HUD UM Bulletin No. 73a & (B45.5/IAPMO Z124 Z124.6)

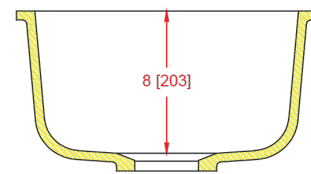
UL in the US and Canada: HUD UM Bulletin No. 73a & (B45.5/IAPMO Z124 Z124.6)



For router bit recommendations visit:
www.Gemstoness.com/tech



Section A-A



Section B-B

1507-S Single Bowl Sink

I.D.: 6 1/2" x 14 3/4" (165 mm x 375 mm)
Depth: 5"* (127 mm)
*Depth does not include counter top thickness



The Gemstone 1507-ES is one of Gemstone's newest sink lines, the ES series. The ES series of sinks have tighter radii providing the sinks with a more up-to-date, sleeker look, and unrivaled performance. The 1507-ES

provides a complementary bowl to the 1815-S, 1515-ES, or 1524-ES as a prep sink or can stand alone where a small sink is needed, providing a seamless, efficient place to work in the kitchen area. This sink works well in laboratories and clinical applications as well as residential applications. Solid surface has excellent chemical resistant properties.



Gemstone Sinks are compatible and warranted when used with all major solid surface sheet brands with the same sheet warranties.



Gemstone supports conservation and green building practices. Gemstone Packages all products in 100% recyclable packaging using boxes made primarily of recycled paper.



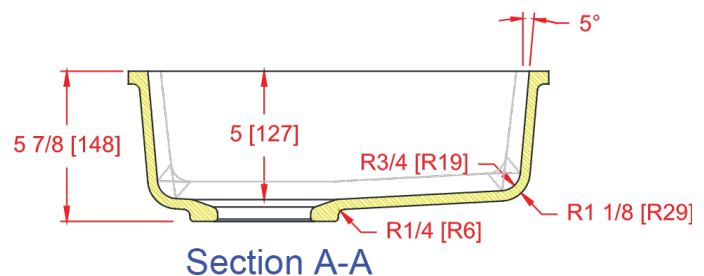
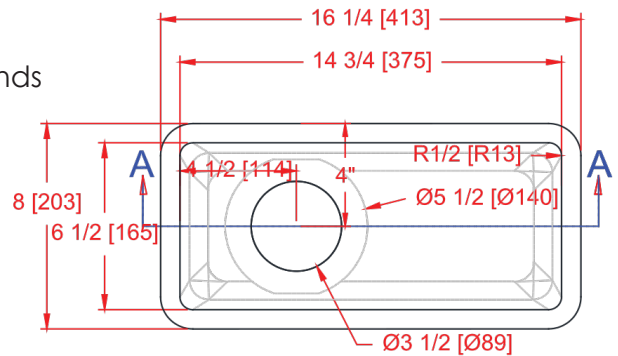
Gemstone sinks are proudly made in the USA and certified by:

Home Innovation Lab (NAHB): HUD UM Bulletin No. 73a & (B45.5/IAPMO Z124 Z124.6)

UL in the US and Canada: HUD UM Bulletin No. 73a & (B45.5/IAPMO Z124 Z124.6)



For router bit recommendations visit:
www.Gemstoness.com/tech




1515-ES Single Bowl Sink


I.D.: 14 3/4" x 14 3/4 (375 mm x 375 mm)
 Depth: 7 7/8"* (200 mm)
 *Depth does not include counter top thickness



The Gemstone 1515-ES is one of Gemstone's newest sink lines, the ES series. The ES series of sinks have tighter radii providing the sink with a more up-to-date, sleeker look, with unrivaled performance. The 1515-ES provides a complementary bowl to the 1815-S, 1507-ES, or 1524-ES as a prep sink or can stand alone where a smaller sink is needed, providing a seamless, efficient place to work in the kitchen area. This sink works well in laboratories and clinical applications as well as residential applications. Solid surface has excellent chemical resistant properties.

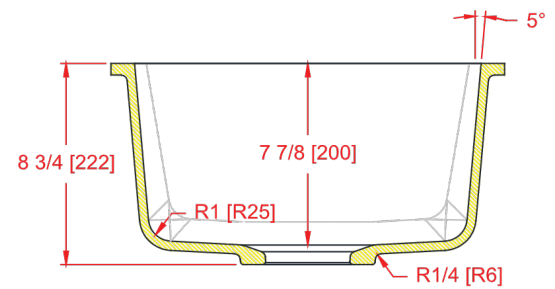
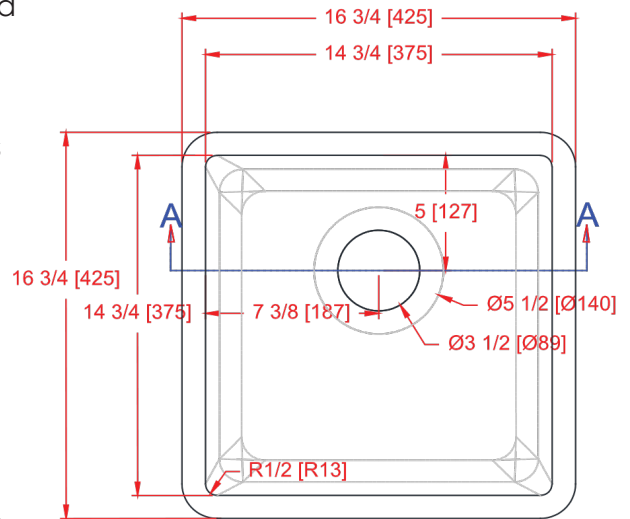
Gemstone Sinks are compatible and warranted when used with all major solid surface sheet brands with the same sheet warranties.

 Gemstone supports conservation and green building practices. Gemstone Packages all products in 100% recyclable packaging using boxes made primarily of recycled paper.

 Gemstone sinks are proudly made in the USA and certified by:
Home Innovation Lab (NAHB): HUD UM Bulletin No. 73a & (B45.5/IAPMO Z124 Z124.6)
UL in the US and Canada: HUD UM Bulletin No. 73a & (B45.5/IAPMO Z124 Z124.6)



For router bit recommendations visit:
www.Gemstoness.com/tech



Section A-A

1815-S Single Bowl Sink

I.D.: 17 5/8" x 14 3/4" (448 mm x 375 mm)
Depth: 8 7/8"* (225 mm)
*Depth does not include counter top thickness



The Gemstone 1815-S Single Bowl Sink provides a seamless kitchen/utility/ laboratory sink in any solid surface sheet material, acrylic, polyester or blended. The redesigned look fits with the latest themes, with the drain

towards the back of the sink and tighter radii along the edges, the 1815-S looks more modern and aesthetically pleasing. This sink works well in laboratories and Clinical applications as well as residential applications. Solid surface has excellent chemical resistant properties.

Gemstone Sinks are compatible and warranted when used with all major solid surface sheet brands with the same sheet warranties.



Gemstone supports conservation and green building practices. Gemstone Packages all products in 100% recyclable packaging using boxes made primarily of recycled paper.



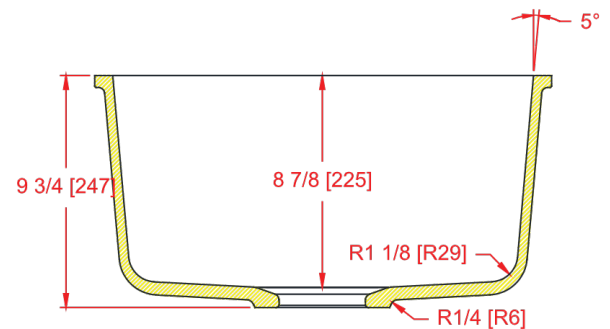
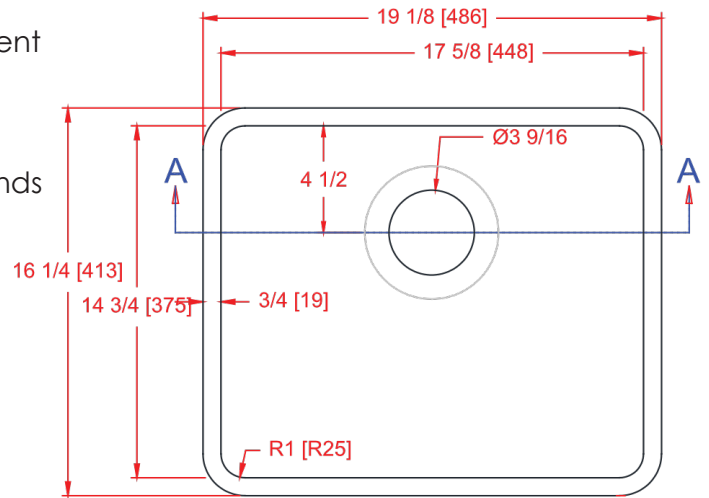
Gemstone sinks are proudly made in the USA and certified by:

Home Innovation Lab (NAHB); HUD UM Bulletin No. 73a & (B45.5/IAPMO Z124 Z124.6)

UL in the US and Canada: HUD UM Bulletin No. 73a & (B45.5/IAPMO Z124 Z124.6)



For router bit recommendations visit:
www.Gemstoness.com/tech



Section A-A

1524-ES Single Bowl Sink


I.D.: 23 5/8" x 14 3/4" (600 mm x 375 mm)
Depth: 7 7/8"* (200 mm)
*Depth does not include counter top thickness




The Gemstone 1524-ES is one of Gemstone's newest sink lines, the ES series. The ES series line of sinks have tighter radii providing the sinks with a more up-to-date, sleeker look and unrivaled performance. The 1524-ES provides a large seamless kitchen, utility, or laboratory sink which can be coupled with other ES sinks to create a multi-sink custom combination. This sink works well in laboratories and clinical applications as well as residential applications. Solid surface has excellent chemical resistant properties.



Gemstone Sinks are compatible and warranted when used with all major solid surface sheet brands with the same sheet warranties.

 Gemstone supports conservation and green building practices. Gemstone Packages all products in 100% recyclable packaging using boxes made primarily of recycled paper.

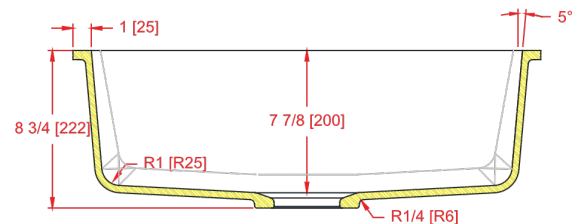
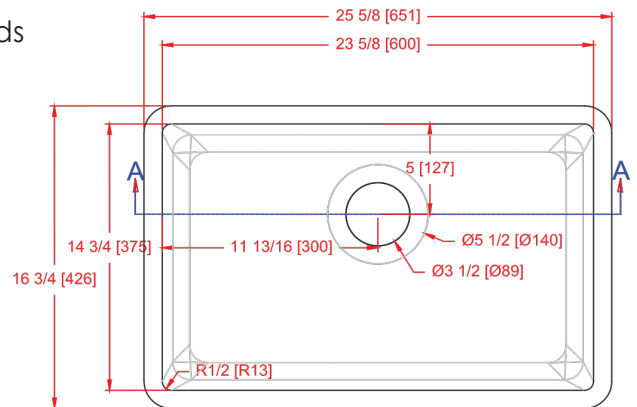
 Gemstone sinks are proudly made in the USA and certified by:

Home Innovation Lab (NAHB): HUD UM Bulletin No. 73a & (B45.5/IAPMO Z124 Z124.6)

UL in the US and Canada: HUD UM Bulletin No. 73a & (B45.5/IAPMO Z124 Z124.6)



For router bit recommendations visit:
www.Gemstoness.com/tech



Section A-A

1616-S Single Bowl Sink

I.D.: 15 3/4" x 15 3/4" (400 mm x 400 mm)
 Depth: 8 1/2"* (216 mm)
 *Depth does not include counter top thickness





The Gemstone 1616-S Single Bowl Sink provides a seamless kitchen/utility/laboratory sink in any solid surface sheet material, acrylic, polyester or blended. This sink works well in laboratories and Clinical applications as well as

residential applications. Solid surface has excellent chemical resistant properties.

Gemstone Sinks are compatible and warranted when used with all major solid surface sheet brands with the same sheet warranties.



 Gemstone supports conservation and green building practices. Gemstone Packages all products in 100% recyclable packaging using boxes made primarily of recycled paper.

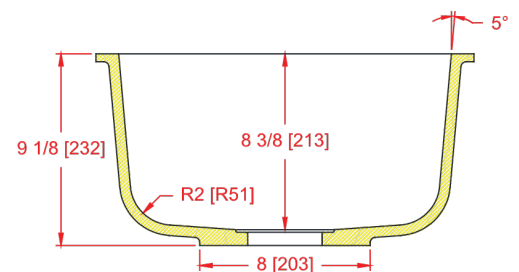
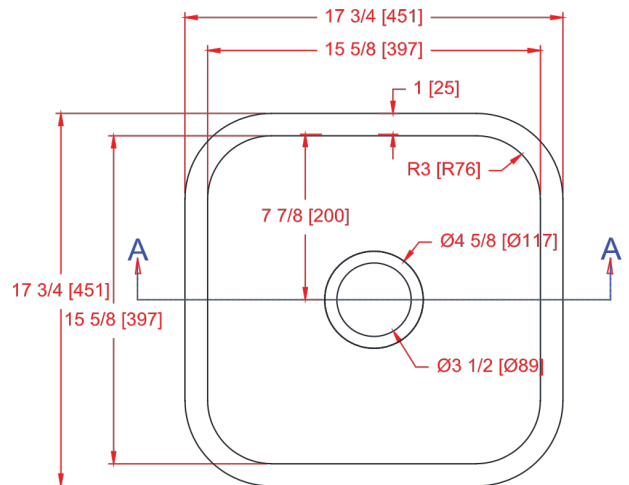
 Gemstone sinks are proudly made in the USA and certified by:

Home Innovation Lab (NAHB): HUD UM Bulletin No. 73a & (B45.5/IAPMO Z124 Z124.6)

UL in the US and Canada: HUD UM Bulletin No. 73a & (B45.5/IAPMO Z124 Z124.6)



For router bit recommendations visit:
www.Gemstoness.com/tech



Section A-A

N1616-S Single Bowl Sink

I.D.: 15 3/4" x 15 3/4" (400 mm x 400 mm)
Depth: 8 1/2"* (216 mm)
*Depth does not include counter top thickness



The Gemstone N1616-S Single Bowl Sink provides a seamless kitchen/utility/ laboratory sink in any solid surface sheet material, acrylic, polyester or blended. The set back drain helps free up space under the sink. This sink works well in laboratories and Clinical applications as well as residential applications. Solid surface has excellent chemical resistant properties.



Gemstone Sinks are compatible and warranted when used with all major solid surface sheet brands with the same sheet warranties.



Gemstone supports conservation and green building practices. Gemstone Packages all products in 100% recyclable packaging using boxes made primarily of recycled paper.



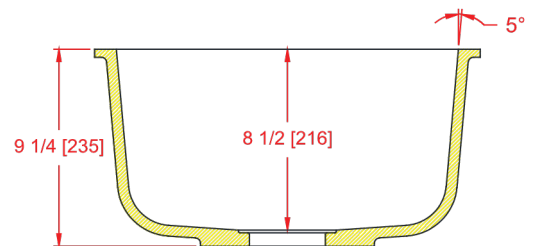
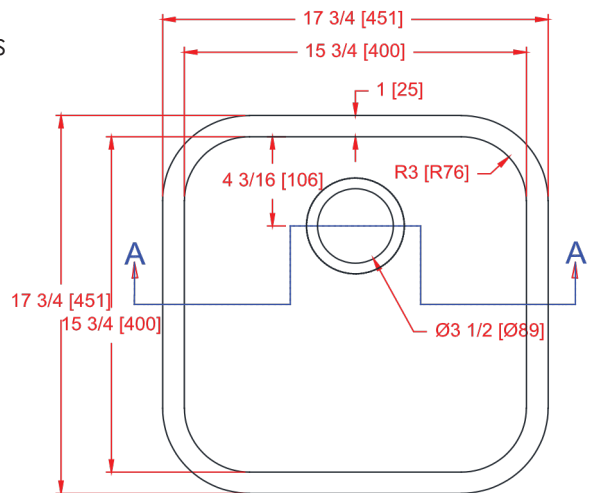
Gemstone sinks are proudly made in the USA and certified by:

Home Innovation Lab (NAHB): HUD UM Bulletin No. 73a & (B45.5/IAPMO Z124 Z124.6)

UL in the US and Canada: HUD UM Bulletin No. 73a & (B45.5/IAPMO Z124 Z124.6)



For router bit recommendations visit:
www.Gemstoness.com/tech



Section A-A

1616-ES Single Bowl Sink

I.D.: 15 3/4" x 15 3/4" (400 mm x 400 mm)
Depth: 11 3/4"* (298 mm)
*Depth does not include counter top thickness



The Gemstone 1616-ES is one of Gemstone's newest sink lines, the ES series. The ES series is a new line of sinks with tighter radii providing the sinks with a more up-to-date, sleeker look, with unrivaled performance. As well as providing the deepest solid surface sink in the industry the 1616-ES provides a deep seamless kitchen, utility, or laboratory sink which will allow hand washing up to the elbows. This sink works well in laboratories and clinical applications as well as residential applications. Solid surface has excellent chemical resistant properties.

Gemstone Sinks are compatible and warranted when used with all major solid surface sheet brands with the same sheet warranties.



Gemstone supports conservation and green building practices. Gemstone Packages all products in 100% recyclable packaging using boxes made primarily of recycled paper.



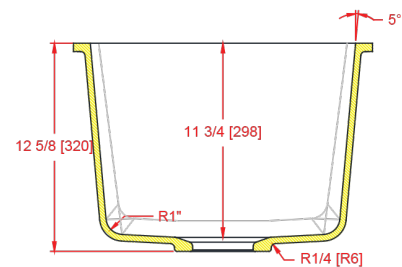
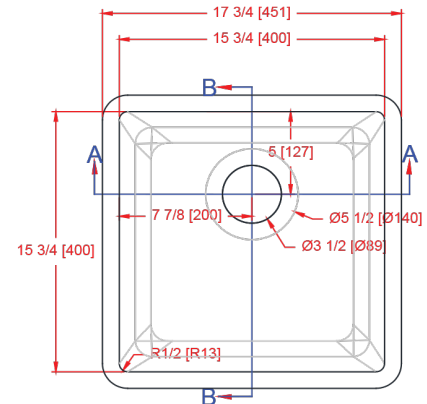
Gemstone sinks are proudly made in the USA and certified by:

Home Innovation Lab (NAHB): HUD UM Bulletin No. 73a & (B45.5/IAPMO Z124 Z124.6)

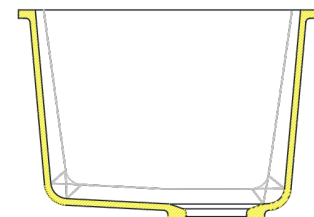
UL in the US and Canada: HUD UM Bulletin No. 73a & (B45.5/IAPMO Z124 Z124.6)



For router bit recommendations visit:
www.Gemstoness.com/tech



Section A-A



Section B-B

1616-UES Single Bowl Sink

I.D.: 15 3/4" x 15 3/4" (400 mm x 400 mm)
 Depth: 5 1/2"* (140 mm)
 *Depth does not include counter top thickness



The Gemstone 1616-UES is a continuation of Gemstone's commitment to Universal Design. The ES series is a new line of sinks with tighter radii providing the sinks with a more up-to-date, sleeker look, with unrivaled performance as well as providing an accessible seamless solid surface sink for kitchen, utility, or laboratory use. The 1616-UES works well in all applications including laboratories and clinical applications as well as residential applications. Solid surface has excellent chemical resistant properties.

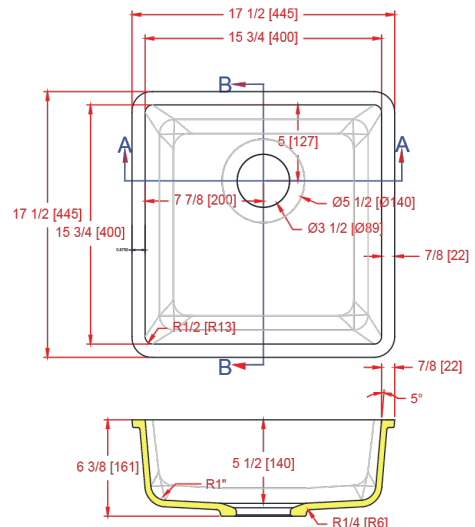
Gemstone Sinks are compatible and warranted when used with all major solid surface sheet brands with the same sheet warranties.

Gemstone supports conservation and green building practices. Gemstone Packages all products in 100% recyclable packaging using boxes made primarily of recycled paper.

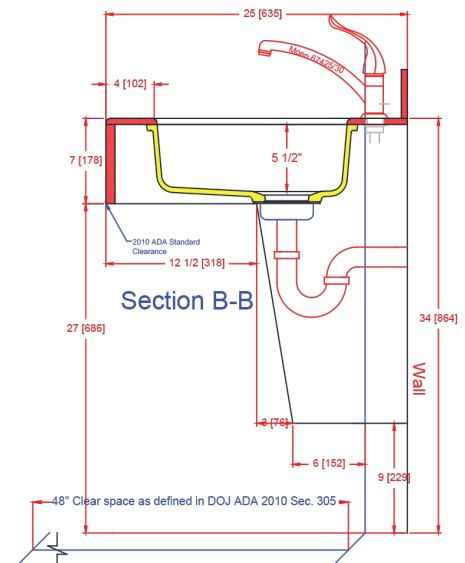
Gemstone sinks are proudly made in the USA and certified by:
Home Innovation Lab (NAHB): HUD UM Bulletin No. 73a & (B45.5/IAPMO Z124 Z124.6)
UL in the US and Canada: HUD UM Bulletin No. 73a & (B45.5/IAPMO Z124 Z124.6)



For router bit recommendations visit:
www.Gemstoness.com/tech



Section A-A



1624-UES Single Bowl Sink

I.D.: 15 3/4" x 23 5/8" (400 mm x 600 mm)
Depth: 5 1/2"* (140 mm)
*Depth does not include counter top thickness



The Gemstone 1624-UES is a continuation of Gemstone's commitment to Universal Design. The ES series is a new line of sinks with tighter radii providing the sinks with a more up-to-date, sleeker look, with unrivaled performance as

well as providing an accessible seamless solid surface sink for kitchen, utility, or laboratory use. The 1624-UES works well in all applications including laboratories and clinical applications as well as residential applications. Solid surface has excellent chemical resistant properties.

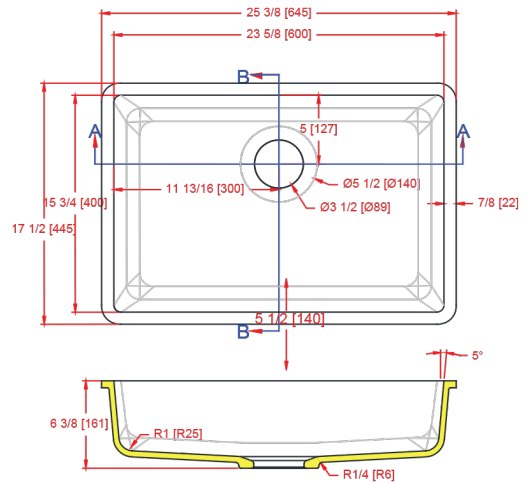
Gemstone Sinks are compatible and warranted when used with all major solid surface sheet brands with the same sheet warranties.

Gemstone supports conservation and green building practices. Gemstone Packages all products in 100% recyclable packaging using boxes made primarily of recycled paper.

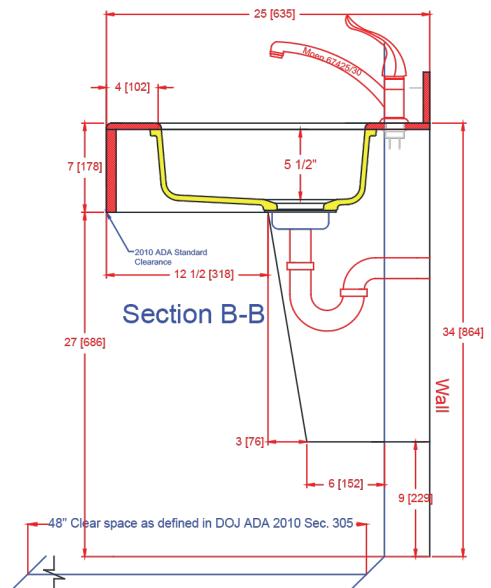
Gemstone sinks are proudly made in the USA and certified by:
Home Innovation Lab (NAHB): HUD UM Bulletin No. 73a & (B45.5/IAPMO Z124 Z124.6)
UL in the US and Canada: HUD UM Bulletin No. 73a & (B45.5/IAPMO Z124 Z124.6)



For router bit recommendations visit:
www.Gemstoness.com/tech



Section A-A



Section B-B

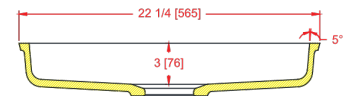
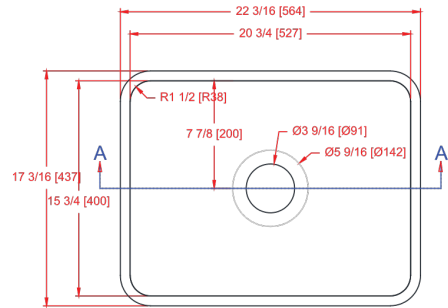
2116-US ADA Single Bowl Sink

I.D.: 15 3/4" x 23 5/8" (400 mm x 600 mm)
Depth: 5 1/2"* (140 mm)
*Depth does not include counter top thickness

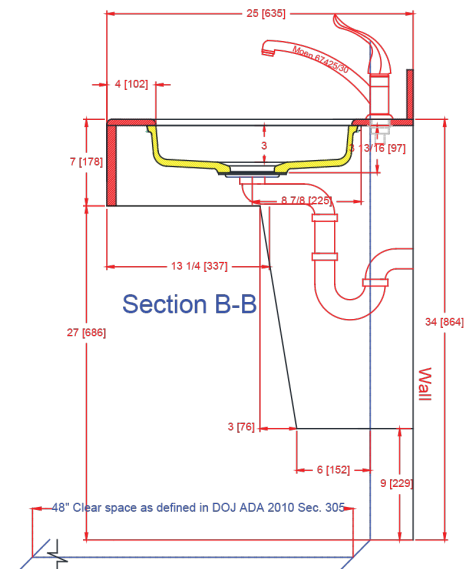


The Gemstone 2116-US Single Bowl Sink provides a seamless kitchen sink in any solid surface sheet material, acrylic, polyester or blended. This sink works well in elementary school laboratories, classrooms, schools, break rooms, or any application requiring a shallower sink. This sink works well in laboratories and clinical applications as well as residential applications. Solid surface has excellent chemical resistant properties.

Gemstone Sinks are compatible and warranted when used with all major solid surface sheet brands with the same sheet warranties.



Section A-A



Gemstone supports conservation and green building practices. Gemstone Packages all products in 100% recyclable packaging using boxes made primarily of recycled paper.



Gemstone sinks are proudly made in the USA and certified by:

Home Innovation Lab (NAHB); HUD UM Bulletin No. 73a & (B45.5/IAPMO Z124 Z124.6)

UL in the US and Canada: HUD UM Bulletin No. 73a & (B45.5/IAPMO Z124 Z124.6)



For router bit recommendations visit:
www.Gemstoness.com/tech

2015-ES Single Bowl Sink

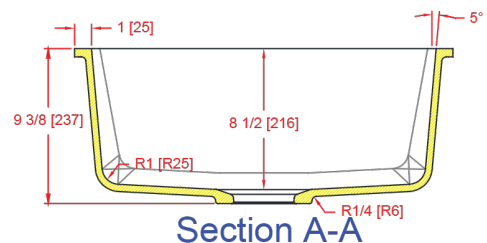
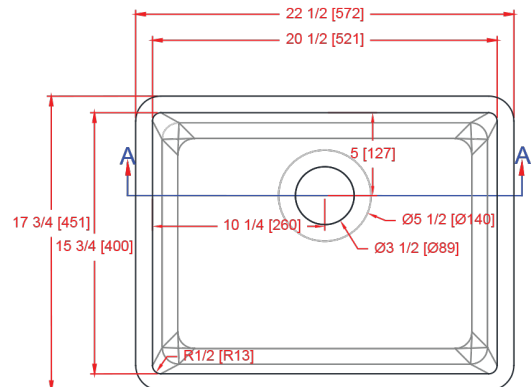
I.D.: 20 1/2" x 15 3/4" (521 mm x 400 mm)
Depth: 8 1/2"* (216 mm)
*Depth does not include counter top thickness




The Gemstone 2015-ES is the updated 2015-S model providing a more stylish contemporary look, with tighter radii in the corners and unrivaled performance. The 2015-ES Single Bowl Sink provides a seamless


kitchen/utility or laboratory sink in any solid surface sheet material, acrylic, polyester or blended. This sink fits well in a 30" cabinet and is ideal for a space saving kitchen.

Gemstone Sinks are compatible and warranted when used with all major solid surface sheet brands with the same sheet warranties.



Section B-B

 Gemstone supports conservation and green building practices. Gemstone Packages all products in 100% recyclable packaging using boxes made primarily of recycled paper.

 Gemstone sinks are proudly made in the USA and certified by:
Home Innovation Lab (NAHB): HUD UM Bulletin No. 73a & (B45.5/IAPMO Z124 Z124.6)
UL in the US and Canada: HUD UM Bulletin No. 73a & (B45.5/IAPMO Z124 Z124.6)



For router bit recommendations visit:
www.Gemstoness.com/tech

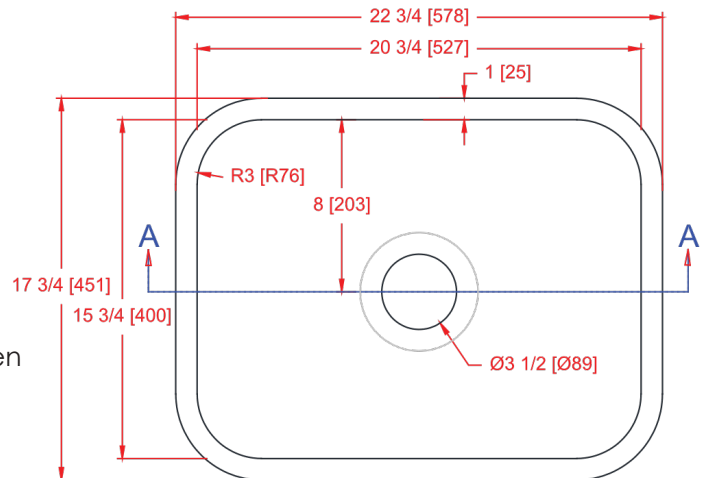
2318-S Single Bowl Sink

I.D.: 20 3/4" x 15 3/4" (527 mm x 400 mm)
Depth: 9"* (229 mm)
*Depth does not include counter top thickness



The Gemstone 2318-S Single Bowl Sink provides a seamless kitchen/utility or laboratory sink in any solid surface sheet material, acrylic, polyester or blended. This sink fits well in a 30" cabinet and is ideal for a space saving kitchen.

Gemstone Sinks are compatible and warranted when used with all major solid surface sheet brands with the same sheet warranties.



Gemstone supports conservation and green building practices. Gemstone Packages all products in 100% recyclable packaging using boxes made primarily of recycled paper.



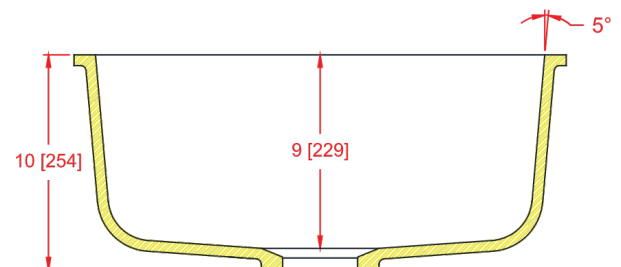
Gemstone sinks are proudly made in the USA and certified by:

Home Innovation Lab (NAHB): HUD UM Bulletin No. 73a & (B45.5/IAPMO Z124 Z124.6)

UL in the US and Canada: HUD UM Bulletin No. 73a & (B45.5/IAPMO Z124 Z124.6)



For router bit recommendations visit:
www.Gemstoness.com/tech



Section A-A

2416-ES Single Bowl Sink

I.D.: 23 5/8" x 15 3/4" (600 mm x 400 mm)
Depth: 11 3/4"* (298 mm)
*Depth does not include counter top thickness



The Gemstone 2416-ES is one of Gemstone's newest sink lines, the ES series. The ES series is a new line of sinks with tighter radii providing the sinks with a more up-to-date, sleeker look, with unrivaled performance. As well as providing

the deepest solid surface sink in the industry the 2416-ES provides a deep seamless kitchen, utility, or laboratory sink which will allow hand washing up to the elbows. This sink works well in laboratories and clinical applications as well as residential applications. Solid surface has excellent chemical resistant properties.

Gemstone Sinks are compatible and warranted when used with all major solid surface sheet brands with the same sheet warranties.



Gemstone supports conservation and green building practices. Gemstone Packages all products in 100% recyclable packaging using boxes made primarily of recycled paper.



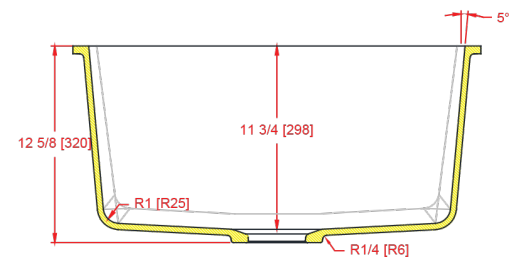
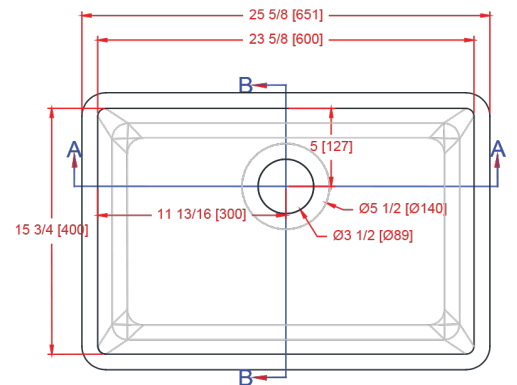
Gemstone sinks are proudly made in the USA and certified by:

Home Innovation Lab (NAHB); HUD UM Bulletin No. 73a & (B45.5/IAPMO Z124 Z124.6)

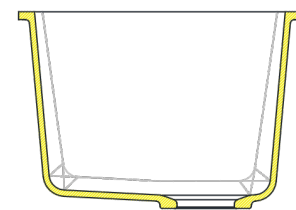
UL in the US and Canada; HUD UM Bulletin No. 73a & (B45.5/IAPMO Z124 Z124.6)



For router bit recommendations visit:
www.Gemstoness.com/tech



Section A-A



Section B-B

2615-S Single Bowl Sink

I.D.: 25 3/4" x 14 3/4" (654 mm x 375 mm)
 Depth: 7"* (178 mm)
 *Depth does not include counter top thickness



The reversible Gemstone 2615-S single bowl sink provides a seamless kitchen, RV or laboratory sink in any solid surface sheet material; acrylic, polyester or blended. The 2615-S can be positioned with the drain on the left or right and has an accessory recess. Accessories that can be used with this model could be a colander, cutting board, drying rack, or more, which can slide from one side to the other in the recessed area. This sink fits well in a 30" cabinet and is ideal for a space saving kitchen.



Gemstone Sinks are compatible and warranted when used with all major solid surface sheet brands with the same sheet warranties.



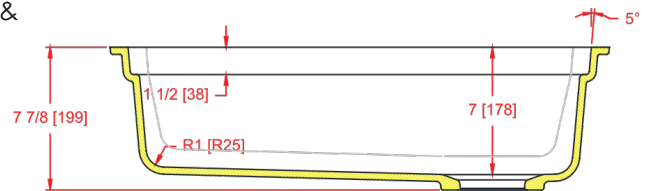
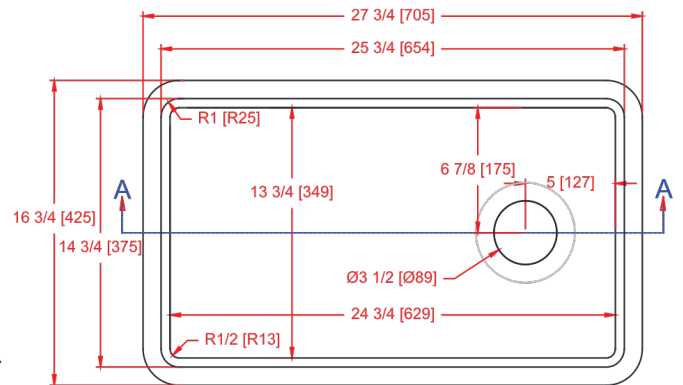
Gemstone supports conservation and green building practices. Gemstone Packages all products in 100% recyclable packaging using boxes made primarily of recycled paper.



Gemstone sinks are proudly made in the USA and certified by:

Home Innovation Lab (NAHB); HUD UM Bulletin No. 73a & (B45.5/IAPMO Z124 Z124.6)

UL in the US and Canada: HUD UM Bulletin No. 73a & (B45.5/IAPMO Z124 Z124.6)



Section A-A



For router bit recommendations visit:
www.Gemstoness.com/tech

2716-US Single Bowl Sink

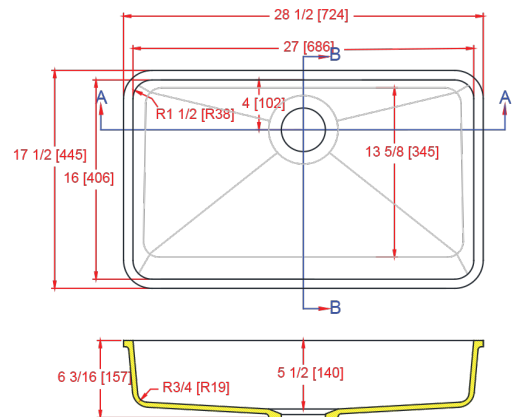
I.D.: 27" x 16" (686 mm x 406 mm)
 Depth: 5 1/2"* (140 mm)
 *Depth does not include counter top thickness



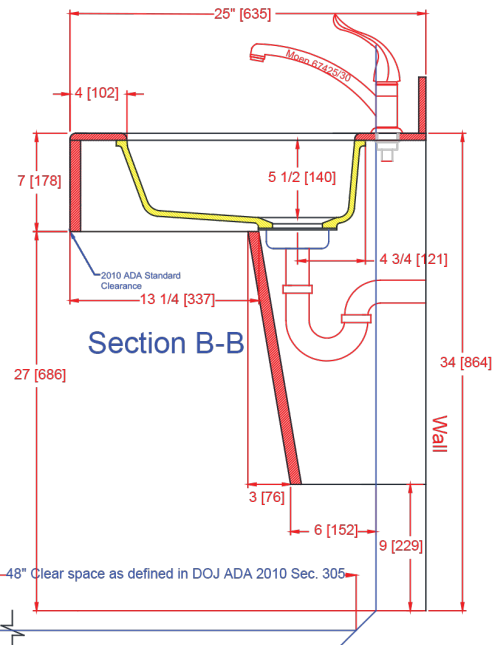
The Gemstone 2716-US Universal Design Single Bowl Sink provides another solution for kitchens or company break rooms that need a Universally Designed kitchen sink. Gemstone sinks provide unparalleled performance in any solid surface sheet material. The 2716-US sink fits well in a 30" cabinet and is ideal for a space saving kitchen needing a large single bowl sink. The offset drain to the back frees up cabinet space under the sink and provides appropriate knee clearance for ADA applications.

The 2716-US sink fits well in a 30" cabinet and is ideal for a space saving kitchen needing a large single bowl sink. The offset drain to the back frees up cabinet space under the sink and provides appropriate knee clearance for ADA applications.

Gemstone Sinks are compatible and warranted when used with all major solid surface sheet brands with the same sheet warranties.



Section A-A



Gemstone supports conservation and green building practices. Gemstone Packages all products in 100% recyclable packaging using boxes made primarily of recycled paper.

Gemstone sinks are proudly made in the USA and certified by:
Home Innovation Lab (NAHB); HUD UM Bulletin No. 73a & (B45.5/IAPMO Z124 Z124.6)
UL in the US and Canada: HUD UM Bulletin No. 73a & (B45.5/IAPMO Z124 Z124.6)



For router bit recommendations visit:
www.Gemstoness.com/tech

2718-S Single Bowl Sink

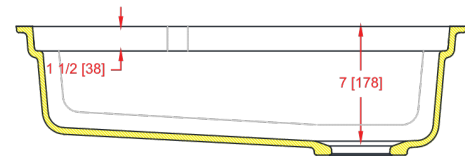
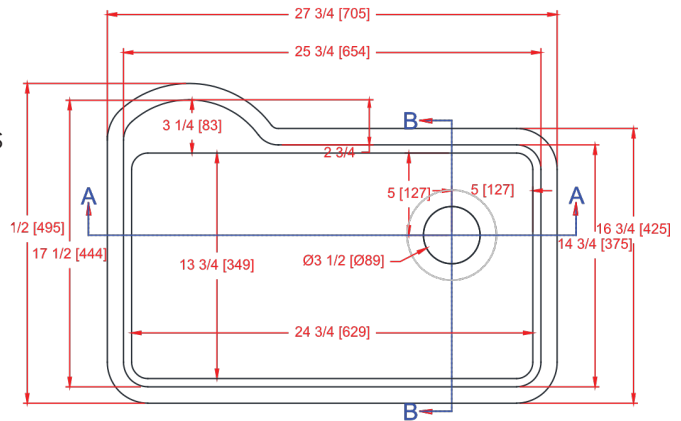
I.D.: 25 3/4" x 14 3/4" (654 mm x 375 mm)
 Depth: 7"* (178 mm)
 *Depth does not include counter top thickness



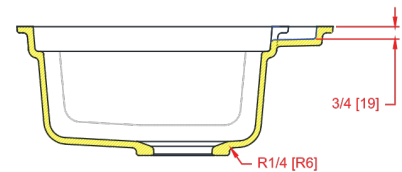
The Gemstone 2718-S Single Bowl Sink provides a seamless kitchen, RV or laboratory sink in any solid surface sheet material, acrylic, polyester or blended. The 2718-S offers an integral soap dish as well as an accessory recess.

Accessories that can be used with this model could be a colander, cutting board, drying rack, or more which can slide from one side to the other. This sink fits well in a 30" cabinet and is ideal for a space saving kitchen. The offset drain to the back frees up cabinet space under the sink.

Gemstone Sinks are compatible and warranted when used with all major solid surface sheet brands with the same sheet warranties.



Section A-A



Section B-B



Gemstone supports conservation and green building practices. Gemstone Packages all products in 100% recyclable packaging using boxes made primarily of recycled paper.



Gemstone sinks are proudly made in the USA and certified by:

Home Innovation Lab (NAHB): HUD UM Bulletin No. 73a & (B45.5/IAPMO Z124 Z124.6)

UL in the US and Canada: HUD UM Bulletin No. 73a & (B45.5/IAPMO Z124 Z124.6)



For router bit recommendations visit:
www.Gemstoness.com/tech

2818-S Single Bowl Sink

I.D.: 26" x 16" (660 mm x 406 mm)
Depth: 8 3/4"* (222 mm)
*Depth does not include counter top thickness





The Gemstone 2818-S Large Single Bowl Sink provides a seamless kitchen/utility or laboratory sink in any solid surface sheet material, acrylic, polyester or blended. This sink fits well in a 30"

cabinet and is ideal for a space saving kitchen with a large sink.

Gemstone Sinks are compatible and warranted when used with all major solid surface sheet brands with the same sheet warranties.



 Gemstone supports conservation and green building practices. Gemstone Packages all products in 100% recyclable packaging using boxes made primarily of recycled paper.

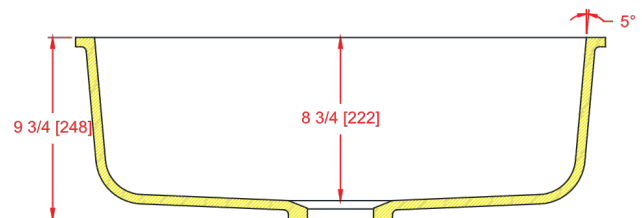
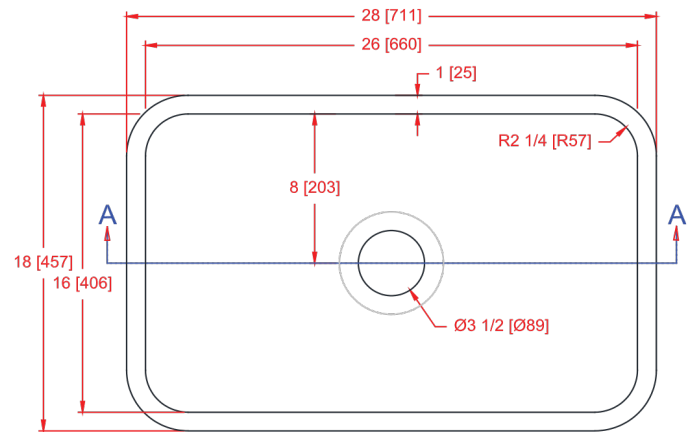
 Gemstone sinks are proudly made in the USA and certified by:

Home Innovation Lab (NAHB): HUD UM Bulletin No. 73a & (B45.5/IAPMO Z124 Z124.6)

UL in the US and Canada: HUD UM Bulletin No. 73a & (B45.5/IAPMO Z124 Z124.6)



For router bit recommendations visit:
www.Gemstoness.com/tech



Section A-A

3217-ES Single Bowl Sink

I.D.: 32" x 16 3/4" (813 mm x 425 mm)
Depth: 7 7/8"* (200 mm)
*Depth does not include counter top thickness



The Gemstone 3217-ES is Gemstone's largest single bowl residential kitchen sink. The 3217-ES is the newest of the ES series of Gemstone sinks. With a sleeker contemporary look, tighter radii, and a drain towards the back, this

sink can be coupled with other sinks in the ES line to make multiple sink combinations. The large 3217-ES is large enough to fit pans and cookie sheets of all sizes, or to replace many existing double bowl sink models in the market place. Gemstone sinks make great kitchen, utility, or laboratory sinks as solid surface has very good chemical resistance properties.

Gemstone Sinks are compatible and warranted when used with all major solid surface sheet brands with the same sheet warranties.



Gemstone supports conservation and green building practices. Gemstone Packages all products in 100% recyclable packaging using boxes made primarily of recycled paper.



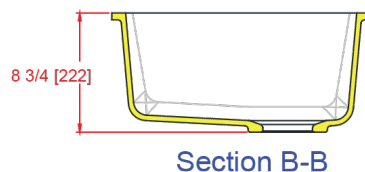
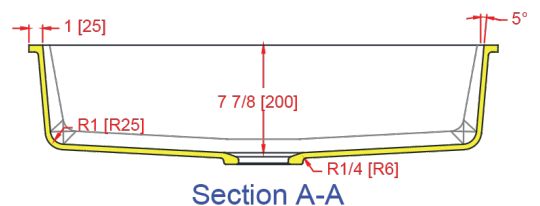
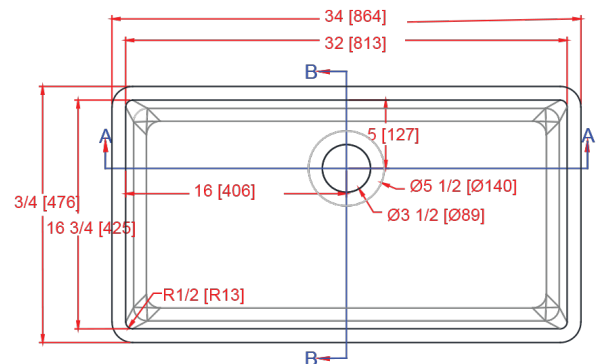
Gemstone sinks are proudly made in the USA and certified by:

Home Innovation Lab (NAHB); HUD UM Bulletin No. 73a & (B45.5/IAPMO Z124 Z124.6)

UL in the US and Canada: HUD UM Bulletin No. 73a & (B45.5/IAPMO Z124 Z124.6)



For router bit recommendations visit:
www.Gemstoness.com/tech



Universal Design & Standard Doubles



2916-UD
I.D.: 29 1/2" x 16" (749 x 406)
Depth 5 1/2" (140)



1729-D
I.D.: 29" x 16 11/16" (737 x 424)
Depth 9" (229)



2917-D
I.D.: 29" x 16 11/16" (737 x 424)
Depth 9" (229)

Standard Double Designs



1930-D
I.D.: 30" x 19" (762 x 483)
Depth 7" (L)-9" (R)* (178 L-229 R)



1630-D
I.D.: 30" x 16 1/2" (762 x 419)
Depth 8 1/4" (209)



3016-D
I.D.: 30" x 16 5/8" (762 x 419)
Depth 8 1/4" (210)

Double & Retro Double



3118-D
I.D.: 29" x 16" (737 x 406)
Depth 8 1/2" (216)



3218-D
I.D.: 29 1/8" x 16" (740 x 406)
Depth 8 1/8"-5 7/8" (206-149)



3320-D
I.D.: 33" x 19 3/4" (838 x 502)
Depth 7 7/8" (200)

Small Double Designs



1324-D
I.D.: 23 1/2" x 13 1/2" (597 x 343)
Depth 7 1/4" (184)



1723-D
I.D.: 23" x 17 1/2" (L)-14" (R)
(584 x 445L - 356R)
Depth 7 1/8" (181)



1523-D
I.D.: 22 3/8" x 15" (L) 12 7/8" (R)
(568 x 381L - 327R)
Depth 7 1/8" (181)

2916-UD Universal Design Kitchen Sink

I.D.: 29 1/2" x 16" (749 mm x 406 mm)
 Depth: 5 1/2"* (140 mm)
 *Depth does not include counter top thickness



The Gemstone 2916-UD Universal Design double equal bowl kitchen sink provides a revolutionary seamless kitchen sink in any solid surface sheet material, acrylic, polyester or blended. The Universal Design makes this sink a great

choice in any kitchen as well as ADA applicable. This sink fits well in a 36" cabinet and can be used in any home or office break room kitchen where ADA compliance or conversion may be required. The low divider in the sink adds to the sink's functionality allowing more room for pan handles and larger items. Now you can have a seamless ADA compatible double bowl kitchen sink option!

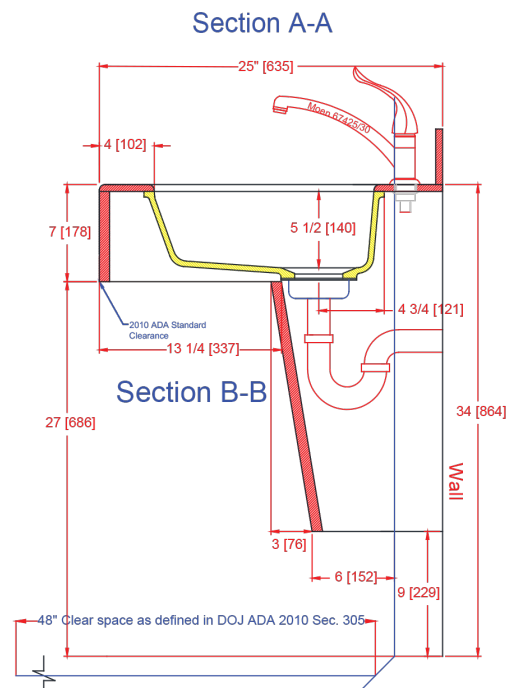
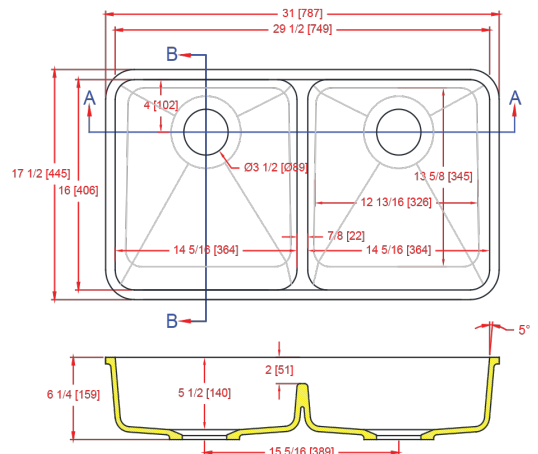
Gemstone Sinks are compatible and warranted when used with all major solid surface sheet brands with the same sheet warranties.

Gemstone supports conservation and green building practices. Gemstone Packages all products in 100% recyclable packaging using boxes made primarily of recycled paper.

Gemstone sinks are proudly made in the USA and certified by:
Home Innovation Lab (NAHB): HUD UM Bulletin No. 73a & (B45.5/IAPMO Z124 Z124.6)
UL in the US and Canada: HUD UM Bulletin No. 73a & (B45.5/IAPMO Z124 Z124.6)



For router bit recommendations visit:
www.Gemstoness.com/tech



1729-D Kitchen Sink


I.D.: 29" x 16 11/16" (737 mm x 424 mm)
Depth: 9"* (229 mm)
*Depth does not include counter top thickness




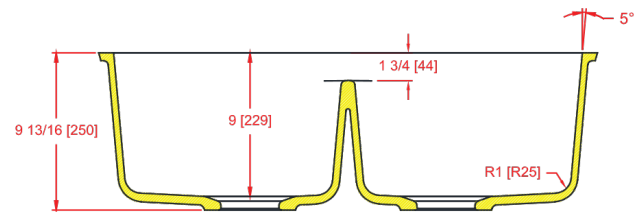
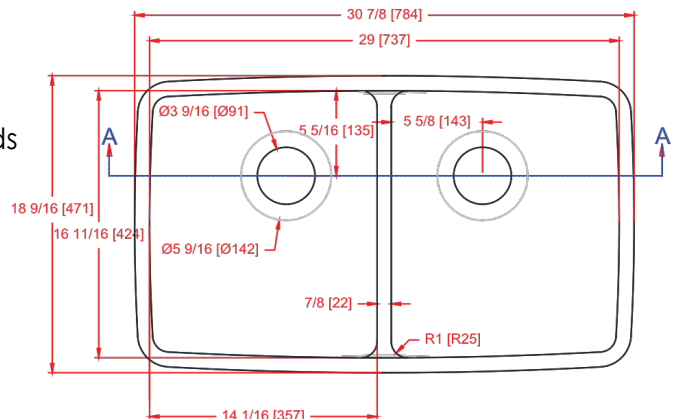
The Gemstone 1729-D is Gemstone's redesigned 3119-D model. The tighter radii, sleek curves, steeper side walls, and narrower sink divider offers nearly 22% more usable floor space at the bottom of the sink. The offset drains allow the sink to drain better when dishes are in the sink. The lowered divider bar offers an aesthetic improvement to the sink as well as easier routing and sanding for the fabricator. This redesigned European style double equal kitchen sink provides a seamless kitchen sink in any solid surface sheet material, acrylic, polyester or blended. This sink fits well in a 36" cabinet.



Gemstone Sinks are compatible and warranted when used with all major solid surface sheet brands with the same sheet warranties.

 Gemstone supports conservation and green building practices. Gemstone Packages all products in 100% recyclable packaging using boxes made primarily of recycled paper.

 Gemstone sinks are proudly made in the USA and certified by:
Home Innovation Lab (NAHB): HUD UM Bulletin No. 73a & (B45.5/IAPMO Z124 Z124.6)
UL in the US and Canada: HUD UM Bulletin No. 73a & (B45.5/IAPMO Z124 Z124.6)



Section A-A



For router bit recommendations visit:
www.Gemstoness.com/tech

2917-D Kitchen Sink

I.D.: 29" x 16 11/16" (737 mm x 424 mm)

Depth: 9"* (229 mm)

*Depth does not include counter top thickness




The Gemstone 2917-D, with tighter radii, sleek curves, steeper side walls, and narrower sink divider offers more usable floor space at the bottom of the sink than other models. This sink is

reversible so the small sink can be on the left or right. The lowered divider bar offers an aesthetic improvement to the sink as well as easier routing and sanding for the fabricator. This European style double equal kitchen sink provides a seamless kitchen sink in any solid surface sheet material, acrylic, polyester or blended. This sink fits well in a 36" cabinet.

Gemstone Sinks are compatible and warranted when used with all major solid surface sheet brands with the same sheet warranties.

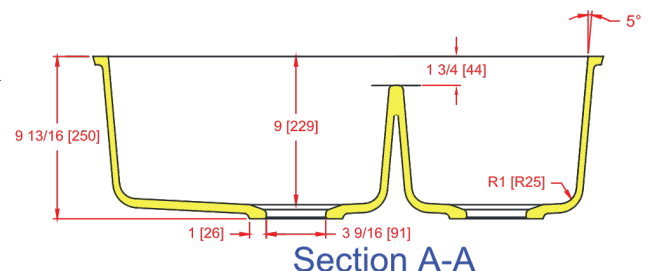
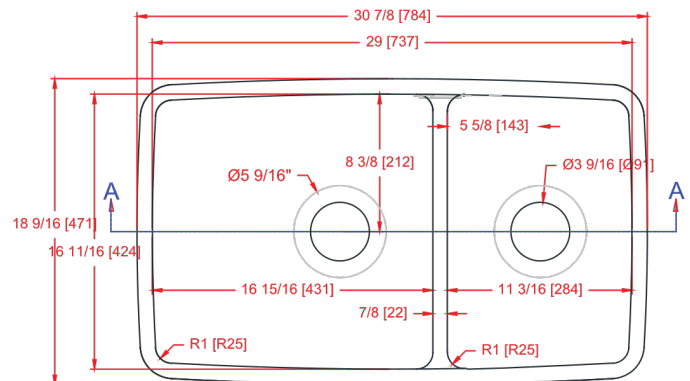


Gemstone supports conservation and green building practices. Gemstone Packages all products in 100% recyclable packaging using boxes made primarily of recycled paper.

 Gemstone sinks are proudly made in the USA and certified by:

Home Innovation Lab (NAHB): HUD UM Bulletin No. 73a & (B45.5/IAPMO Z124 Z124.6)

UL in the US and Canada: HUD UM Bulletin No. 73a & (B45.5/IAPMO Z124 Z124.6)



Home Innovation
LAB CERTIFIED™



For router bit recommendations visit:

www.Gemstoness.com/tech

1930-D Kitchen Sink

I.D.: 30" x 19" (762 mm x 483 mm)
Depth: (L) 7" (R) 9"* (178 mm) (229 mm)
*Depth does not include counter top thickness





The Gemstone 1930-DL Small/ Large kitchen sink provides a seamless kitchen sink in any solid surface sheet material, acrylic, polyester or blended. With the large bowl, even the largest pans and cookie sheets

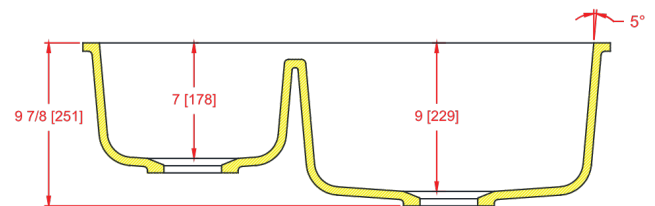
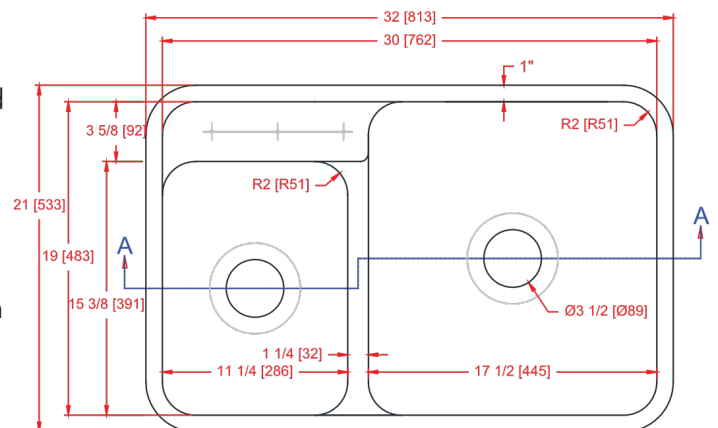
fit into it for washing with a practical smaller prep sink on the right and a faucet landing that helps contain water and debris in the sink vs. the countertop. Solid surface has excellent chemical resistant properties. This sink fits well in a 36" cabinet.



Gemstone Sinks are compatible and warranted when used with all major solid surface sheet brands with the same sheet warranties.

 Gemstone supports conservation and green building practices. Gemstone Packages all products in 100% recyclable packaging using boxes made primarily of recycled paper.

 Gemstone sinks are proudly made in the USA and certified by:
Home Innovation Lab (NAHB): HUD UM Bulletin No. 73a & (B45.5/IAPMO Z124 Z124.6)
UL in the US and Canada: HUD UM Bulletin No. 73a & (B45.5/IAPMO Z124 Z124.6)



Section A-A



For router bit recommendations visit:
www.Gemstoness.com/tech

1630-D Kitchen Sink

I.D.: 30" x 16 1/2" (762 mm x 419 mm)
Depth: 8 1/4"* (209 mm)
*Depth does not include counter top thickness



The Gemstone 1630-D is one of Gemstone's most popular designs over the years. True and tested, this double bowl model has been a consumer favorite with its simple equal double equal bowl design.

The 8 1/4" depth is a comfortable depth for users of the sink and the center drains are easy to install with a traditional look. The 1630-D provides a seamless kitchen sink in any solid surface sheet material, acrylic, polyester or blended. This sink fits well in a 36" cabinet.

Gemstone Sinks are compatible and warranted when used with all major solid surface sheet brands with the same sheet warranties.



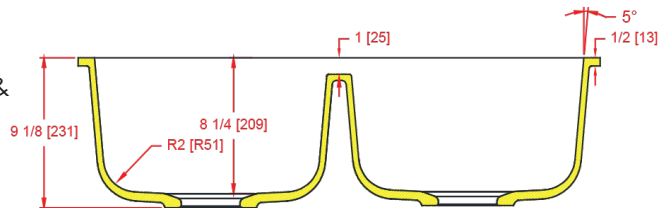
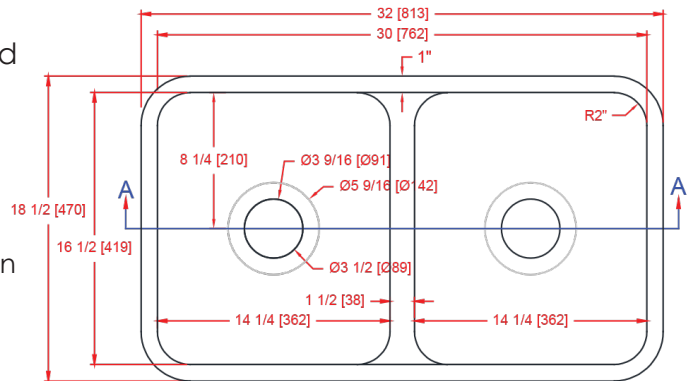
Gemstone supports conservation and green building practices. Gemstone Packages all products in 100% recyclable packaging using boxes made primarily of recycled paper.



Gemstone sinks are proudly made in the USA and certified by:

Home Innovation Lab (NAHB): HUD UM Bulletin No. 73a & (B45.5/IAPMO Z124 Z124.6)

UL in the US and Canada: HUD UM Bulletin No. 73a & (B45.5/IAPMO Z124 Z124.6)



Section A-A



For router bit recommendations visit:
www.Gemstoness.com/tech

3016-D Kitchen Sink

I.D.: 30" x 16 5/8" (762 mm x 419 mm)
Depth: 8 1/4"* (210 mm)
*Depth does not include counter top thickness



The Gemstone 3016-D has been a popular large/small bowl combination sink over the years. This 60/40 design is reversible allowing the small bowl to be on either side of the large bowl giving versatility and customization to the sink user. The 8 1/4" depth is a comfortable depth for users of the sink and the center drains are easy to install with a traditional look. The 3016-D provides a seamless kitchen sink in any solid surface sheet material, acrylic, polyester or blended. This sink fits well in a 36" cabinet

Gemstone Sinks are compatible and warranted when used with all major solid surface sheet brands with the same sheet warranties.



Gemstone supports conservation and green building practices. Gemstone Packages all products in 100% recyclable packaging using boxes made primarily of recycled paper.



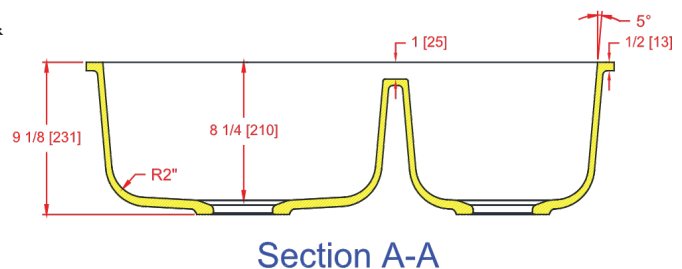
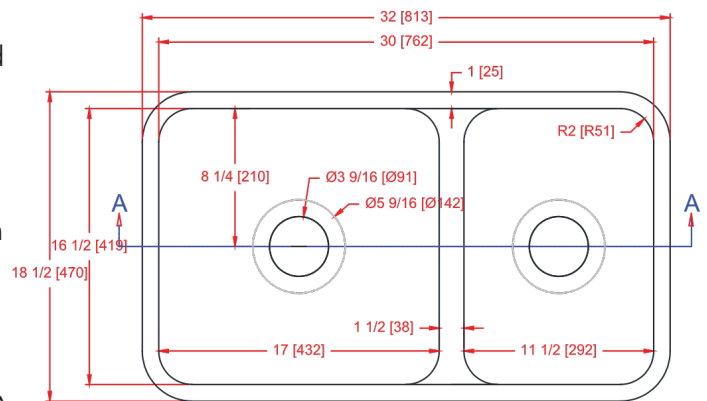
Gemstone sinks are proudly made in the USA and certified by:

Home Innovation Lab (NAHB): HUD UM Bulletin No. 73a & (B45.5/IAPMO Z124 Z124.6)

UL in the US and Canada: HUD UM Bulletin No. 73a & (B45.5/IAPMO Z124 Z124.6)



For router bit recommendations visit:
www.Gemstoness.com/tech



3118-D Kitchen Sink

I.D.: 29" x 16" (737 mm x 406 mm)
Depth: 8 1/2"* (216 mm)
*Depth does not include counter top thickness



The Gemstone 3118-D is one of Gemstone's most popular designs over the years. True and tested, this double bowl model has been a consumer favorite with its simple equal double equal bowl design. The center drains are easy to install with a traditional look. The 3118-D provides a seamless kitchen sink in any solid surface sheet material, acrylic, polyester or blended. This sink fits well in a 36" cabinet.

Gemstone Sinks are compatible and warranted when used with all major solid surface sheet brands with the same sheet warranties.



Gemstone supports conservation and green building practices. Gemstone Packages all products in 100% recyclable packaging using boxes made primarily of recycled paper.



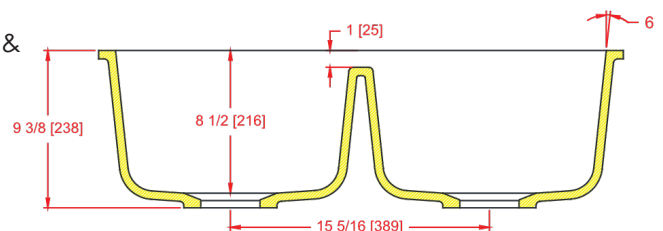
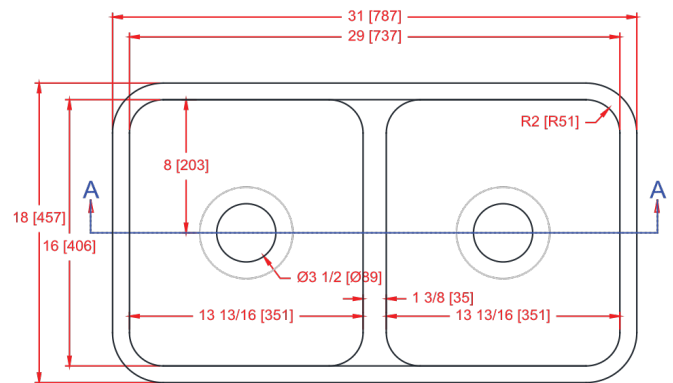
Gemstone sinks are proudly made in the USA and certified by:

Home Innovation Lab (NAHB): HUD UM Bulletin No. 73a & (B45.5/IAPMO Z124 Z124.6)

UL in the US and Canada: HUD UM Bulletin No. 73a & (B45.5/IAPMO Z124 Z124.6)



For router bit recommendations visit:
www.Gemstoness.com/tech



Section A-A

3218-D Kitchen Sink

I.D.: 29 1/8" x 16" (740 mm x 406 mm)
Depth: 8 1/8 - 5 7/8"* (206 mm - 149 mm)
*Depth does not include counter top thickness



The Gemstone 3218-D has been a popular large/small bowl combination sink over the years. This 60/40 design is reversible allowing the small bowl to be on either side of the large bowl giving versatility and customization to the sink user. The shallower prep bowl is ideal for use with a garbage disposal. The center drains are easy to install with a traditional look. The 3218-D provides a seamless kitchen sink in any solid surface sheet material, acrylic, polyester or blended. This sink fits well in a 36" cabinet.



Gemstone Sinks are compatible and warranted when used with all major solid surface sheet brands with the same sheet warranties.



Gemstone supports conservation and green building practices. Gemstone Packages all products in 100% recyclable packaging using boxes made primarily of recycled paper.



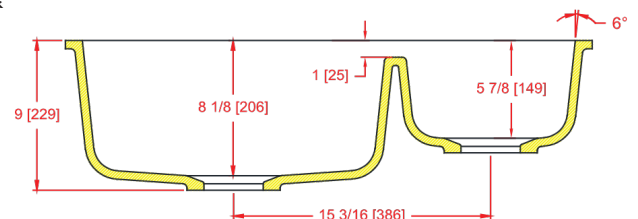
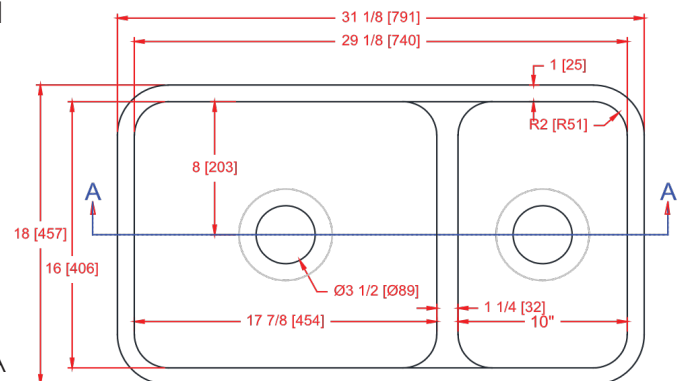
Gemstone sinks are proudly made in the USA and certified by:

Home Innovation Lab (NAHB): HUD UM Bulletin No. 73a & (B45.5/IAPMO Z124 Z124.6)

UL in the US and Canada: HUD UM Bulletin No. 73a & (B45.5/IAPMO Z124 Z124.6)



For router bit recommendations visit:
www.Gemstoness.com/tech



Section A-A

1324-D Double Bowl Kitchen Sink

I.D.: 23 1/2" x 13 1/2" (597 mm x 343 mm)
Depth: 7 1/4"* (184 mm)
*Depth does not include counter top thickness



The Gemstone 1324-D reversible Large/Small Double Bowl Kitchen Sink which provides a functional seamless kitchen sink for any small kitchen in any solid surface sheet material, acrylic, polyester or blended. This sink fits well in a limited places or in any situation where a small double bowl kitchen sink is required. This sink is commonly used by RV manufactures and Yacht builders.



Gemstone Sinks are compatible and warranted when used with all major solid surface sheet brands with the same sheet warranties.



Gemstone supports conservation and green building practices. Gemstone Packages all products in 100% recyclable packaging using boxes made primarily of recycled paper.



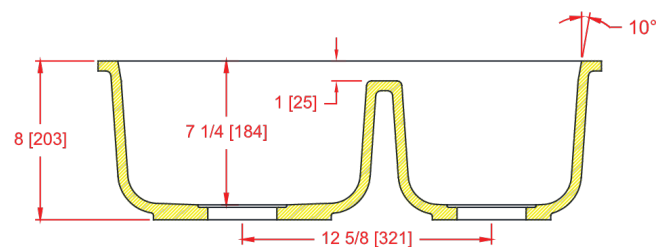
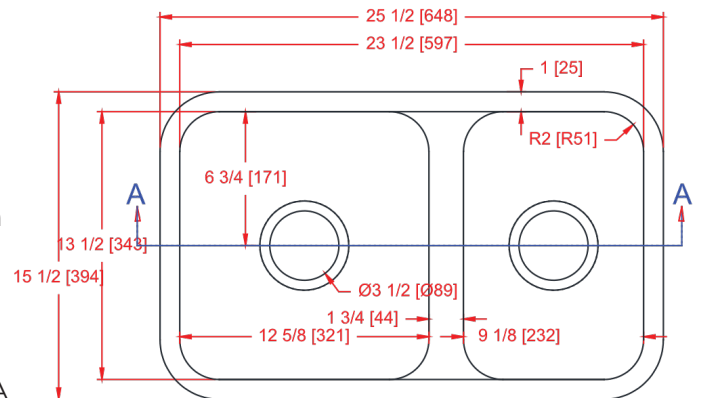
Gemstone sinks are proudly made in the USA and certified by:

Home Innovation Lab (NAHB): HUD UM Bulletin No. 73a & (B45.5/IAPMO Z124 Z124.6)

UL in the US and Canada: HUD UM Bulletin No. 73a & (B45.5/IAPMO Z124 Z124.6)



For router bit recommendations visit:
www.Gemstoness.com/tech



Section A-A

1723-D Double Bowl Kitchen Sink

I.D.: 23" x 17 1/2" (L) & 14" (R) (584 mm x 445 mm (L) & 356 mm (R))
Depth: 7 1/8"* (181 mm)
*Depth does not include counter top thickness



The Gemstone 1723-D Small Double Bowl Kitchen Sink provides a functional seamless kitchen sink for any small kitchen in any solid surface sheet material, acrylic, polyester or blended. This sink

fits well in a limited places or in any situation where a small, yet elegant, double bowl kitchen sink is required. This sink is commonly used by RV manufactures and Yacht builders.



Gemstone Sinks are compatible and warranted when used with all major solid surface sheet brands with the same sheet warranties.



Gemstone supports conservation and green building practices. Gemstone Packages all products in 100% recyclable packaging using boxes made primarily of recycled paper.



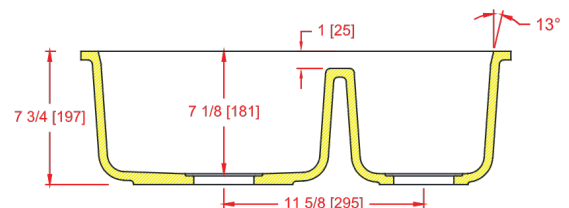
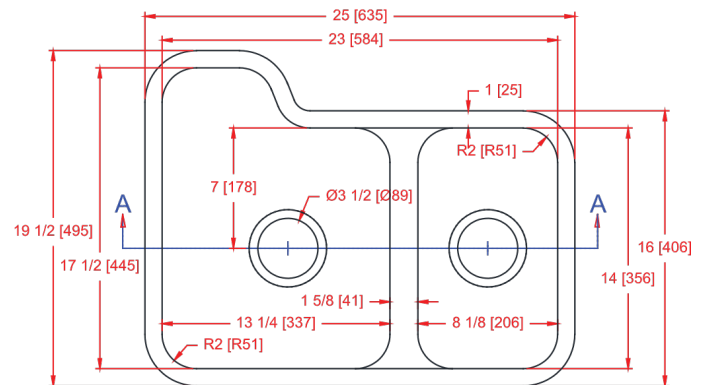
Gemstone sinks are proudly made in the USA and certified by:

Home Innovation Lab (NAHB): HUD UM Bulletin No. 73a & (B45.5/IAPMO Z124 Z124.6)

UL in the US and Canada: HUD UM Bulletin No. 73a & (B45.5/IAPMO Z124 Z124.6)



For router bit recommendations visit:
www.Gemstoness.com/tech



Section A-A

1523-D Double Bowl Kitchen Sink

I.D.: 22 3/8" x 15" (L) & 12 7/8" (R) (568 mm x 381 mm (L) & 327 mm (R))
Depth: 7 1/8"* (181 mm)
*Depth does not include counter top thickness





The Gemstone 1523-D Small Double Bowl Kitchen Sink provides a beautiful seamless kitchen sink for any small kitchen in any solid surface sheet material, acrylic, polyester

or blended. This sink fits well in a tight places or in any situation where a small, yet elegant double bowl kitchen sink is required. This sink is commonly used by RV manufactures and yacht builders.



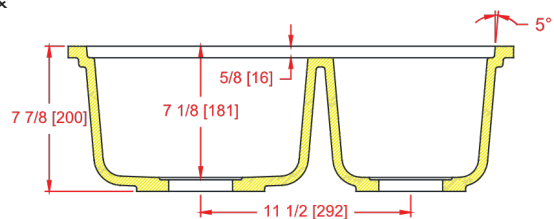
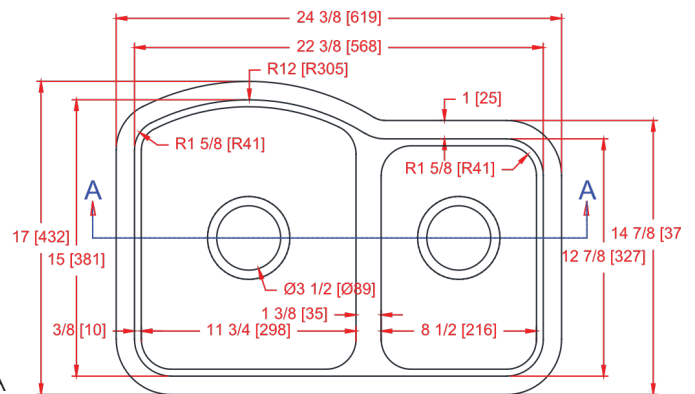
Gemstone Sinks are compatible and warranted when used with all major solid surface sheet brands with the same sheet warranties.

 Gemstone supports conservation and green building practices. Gemstone Packages all products in 100% recyclable packaging using boxes made primarily of recycled paper.

 Gemstone sinks are proudly made in the USA and certified by:

Home Innovation Lab (NAHB): HUD UM Bulletin No. 73a & (B45.5/IAPMO Z124 Z124.6)

UL in the US and Canada: HUD UM Bulletin No. 73a & (B45.5/IAPMO Z124 Z124.6)



Section A-A



For router bit recommendations visit:
www.Gemstoness.com/tech

3320-D Kitchen Sink

I.D.: 33" x 19 3/4" (838 mm x 502 mm)
 Depth: 7 7/8" (200 mm)
 *Depth does not include counter top thickness



The Gemstone 3320-D is the largest double equal bowl on the solid surface market today. The cutout for this sink will encompass all known double bowl sinks formerly on the market. This sink is designed

with this in mind for the replacement of old sinks in solid surface countertops providing a new contemporary look. The faucet is positioned on the faucet deck which also acts as a shelf for sponges, soap, etc. The ledge around the sink is provided to support strainers or cutting boards (not included).

Gemstone Sinks are compatible and warranted when used with all major solid surface sheet brands with the same sheet warranties.



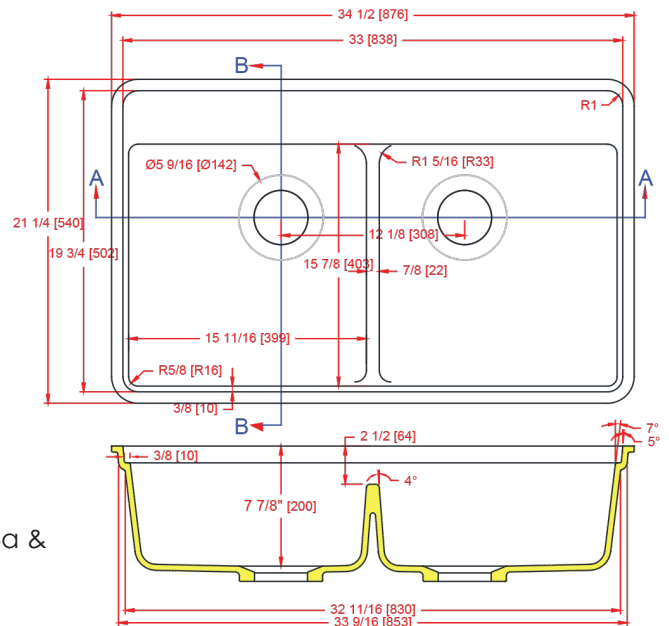
Gemstone supports conservation and green building practices. Gemstone Packages all products in 100% recyclable packaging using boxes made primarily of recycled paper.



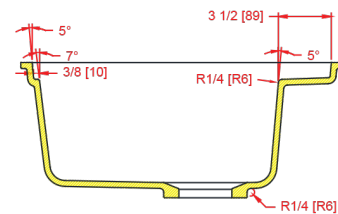
Gemstone sinks are proudly made in the USA and certified by:

Home Innovation Lab (NAHB): HUD UM Bulletin No. 73a & (B45.5/IAPMO Z124 Z124.6)

UL in the US and Canada: HUD UM Bulletin No. 73a & (B45.5/IAPMO Z124 Z124.6)



Section A-A



Section B-B



For router bit recommendations visit:
www.Gemstoness.com/tech

Baby Bath & Dental Sink



2213-V (VO)
I.D.: 22 1/2" x 12 1/2" (572 x 318)
Depth 6 1/8"* (156)
(Specify if Overflow is required)



1311-S
I.D.: 12 3/8" X 10 3/8" (314 x 264)
Depth 5 1/4"* (133)
(2" Drain)

Farm Sink Designs



The FS3019-S can be top mounted, or under mounted on any type of countertop surface. The bottom of the sink allows it to be easily supported for easy installation. The front apron can be trimmed, allowing it to be custom sized to fit any standard drawer front.

FS3019-S
I.D.: 27 3/4" x 16 1/2" (705 x 419)
Depth: 8 3/4"* (222)

Special RV Vanity Drain Designs



RV vanity drain styles are available for all vanity models. Please specify which model and call out the RV drain. The RV drain is a special drain that does not have a pop up ability and has a short thread while maintaining the standard vanity drain diameter.

RV1410-V
I.D.: 14 1/4" x 10 5/16" (362 x 262)
Depth 5"* (127)
(No Overflow-Special Drain)

2213-VO Baby Bath

I.D.: 22 1/2" x 12 1/2" (572mm x 318mm)
Depth: 6 1/8"* (156mm)
*Depth does not include counter top thickness



The Gemstone 2213-VO Baby Bath is the perfect integral solid surface solution for bathing babies. With the contoured back and baby bottom hugging design, this bath is the first bath truly

designed with the baby's comfort in mind. The contoured bottom is designed to help keep the baby in place while being bathed. The warmth and smoothness of the solid surface is ideal for the application. The solid surface is sanitary, easy to clean, non-porous, and stain resistant. Also available without an overflow.



Gemstone Sinks are compatible and warranted when used with all major solid surface sheet brands with the same sheet warranties.



Gemstone supports conservation and green building practices. Gemstone Packages all products in 100% recyclable packaging using boxes made primarily of recycled paper.



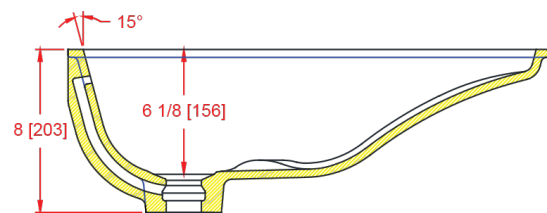
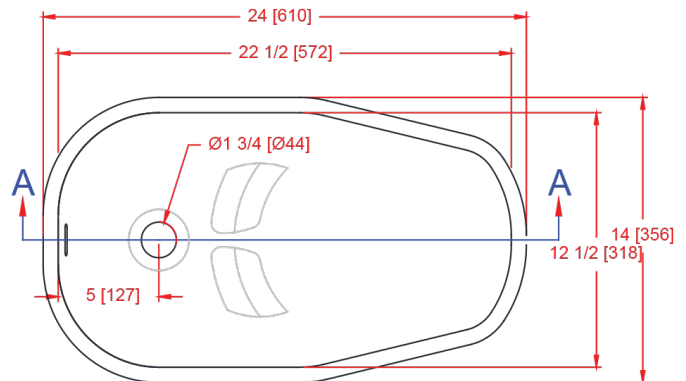
Gemstone sinks are proudly made in the USA and certified by:

Home Innovation Lab (NAHB): HUD UM Bulletin No. 73a & (B45.5/IAPMO Z124 Z124.6)

UL in the US and Canada: HUD UM Bulletin No. 73a & (B45.5/IAPMO Z124 Z124.6)



For router bit recommendations visit:
www.Gemstoness.com/tech



1311-S Dental Sink

I.D.: 12 3/8" x 10 3/8" (314mm x 264mm)
Depth: 5 1/4"* (133mm)
*Depth does not include counter top thickness



The Gemstone 1311-S Single Bowl Dental Sink provides a seamless application in any solid surface sheet material, acrylic, polyester or blended. The seamless laboratory sink is important in medical/dental

clinics where infection control is important, while providing an upscale look at an affordable price. The Gemstone 1311 will perform exceptionally well and has excellent chemical resistant properties. This sink has a 2" diameter drain designed for 2" basket strainer. The 1311-S also makes a good bar sink.

Gemstone Sinks are compatible and warranted when used with all major solid surface sheet brands with the same sheet warranties.



Gemstone supports conservation and green building practices. Gemstone Packages all products in 100% recyclable packaging using boxes made primarily of recycled paper.



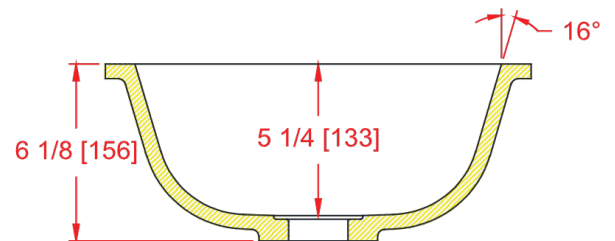
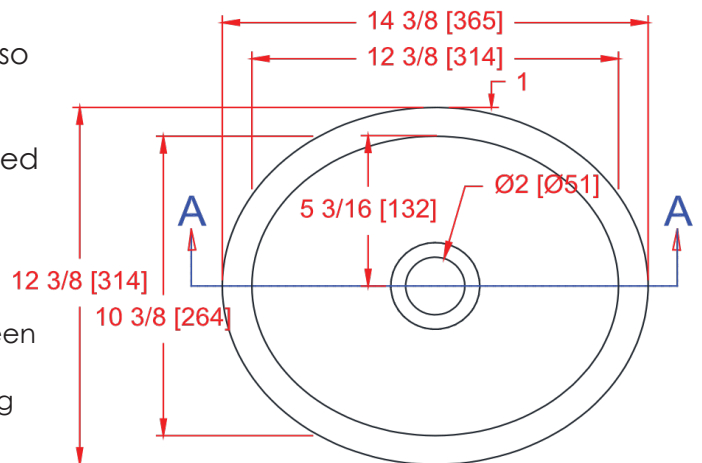
Gemstone sinks are proudly made in the USA and certified by:

Home Innovation Lab (NAHB): HUD UM Bulletin No. 73a & (B45.5/IAPMO Z124 Z124.6)

UL in the US and Canada: HUD UM Bulletin No. 73a & (B45.5/IAPMO Z124 Z124.6)



For router bit recommendations visit:
www.Gemstoness.com/tech



Section A-A

FS3019-S Single Bowl Farm Sink

I.D.: 27 3/4" x 16 1/2" (705mm x 419mm)
Depth: 8 3/4"* (222mm)
*Depth does not include counter top thickness



The Gemstone FS3019-S Farm sink is a large, 30" single bowl farm sink designed for today's designer kitchens and is Gemstone's answer to a versatile farm sink allowing it to be installed into most standard 30 &

36" cabinets without having to buy special custom made cabinets. The FS3019-S can be top mounted, or under mounted on any type of countertop surface. The bottom of the sink allows it to be easily supported for easy installation. The front apron can be trimmed, allowing it to be custom sized to fit any standard drawer front. For installation help, visit www.gemstonesinks.com



Gemstone Sinks are compatible and warranted when used with all major solid surface sheet brands with the same sheet warranties.



Gemstone supports conservation and green building practices. Gemstone Packages all products in 100% recyclable packaging using boxes made primarily of recycled paper.



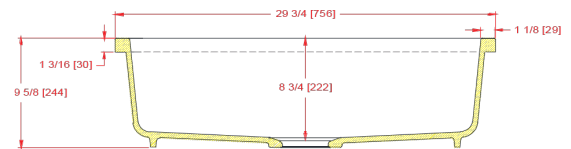
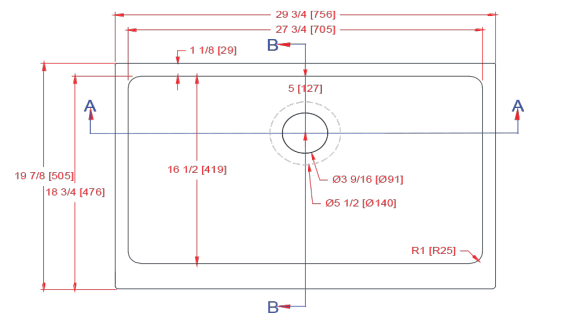
Gemstone sinks are proudly made in the USA and certified by:

Home Innovation Lab (NAHB): HUD UM Bulletin No. 73a & (B45.5/IAPMO Z124 Z124.6)

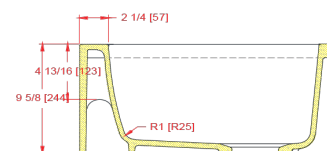
UL in the US and Canada: HUD UM Bulletin No. 73a & (B45.5/IAPMO Z124 Z124.6)



For router bit recommendations visit:
www.Gemstoness.com/tech



Section A-A



Section B-B

RV1410-V Vanity Sink

I.D.: 14 1/4" x 10 5/16" (362mm x 262mm)
 Depth: 5" (127mm)
 *Depth does not include counter top thickness



The Gemstone RV1410-V lavatory bowl is the perfect bowl for tight places. This bowl is used in RV's, boats, small residential and commercial bathrooms where space, aesthetics, and performance are a premium. The RV1410-V does not have an overflow and has a short drain throat requiring a non-standard drain fitting.

Gemstone Sinks are compatible and warranted when used with all major solid surface sheet brands with the same sheet warranties.



Gemstone supports conservation and green building practices. Gemstone Packages all products in 100% recyclable packaging using boxes made primarily of recycled paper.



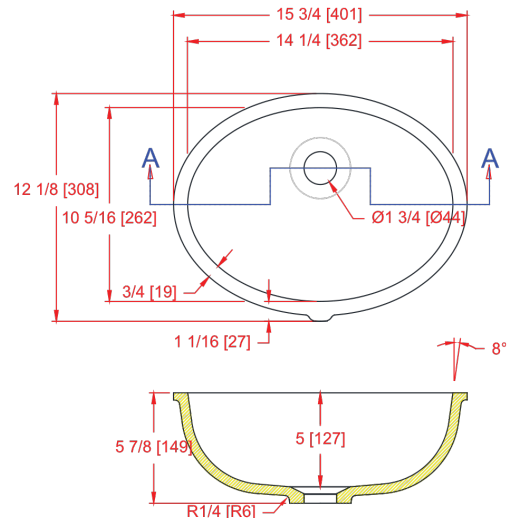
Gemstone sinks are proudly made in the USA and certified by:

Home Innovation Lab (NAHB): HUD UM Bulletin No. 73a & (B45.5/IAPMO Z124 Z124.6)

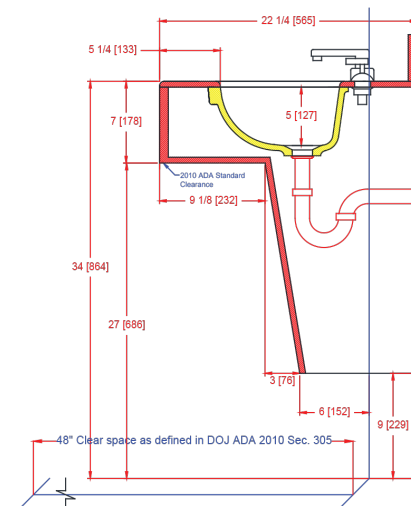
UL in the US and Canada: HUD UM Bulletin No. 73a & (B45.5/IAPMO Z124 Z124.6)



For router bit recommendations visit:
www.Gemstoness.com/tech



Section A-A



Low Standard
Threshold (LST)



N3636LST

OD: 36" x 36" (914 mm x 914 mm)
Threshold Height: 2 1/2" (64 mm)
Rough Opening: 36 1/4" x 36 1/4"
(921 mm x 921 mm)

3636LST

OD: 36" x 36" (914 mm x 914 mm)
Threshold Height: 2 1/2" (64 mm)
Rough Opening: 36 1/4" x 36 1/4"
(921 mm x 921 mm)

4836LST

OD: 48" x 36" (1219 mm x 914 mm)
Threshold Height: 2 1/2" (64 mm)
Rough Opening: 48 1/4" x 36 1/4"
(1225 mm x 921 mm)

6032LST-L

OD: 60" x 32" (1524 mm x 813 mm)
Threshold Height: 2 1/2" (63.5 mm)
Rough Opening: 60 1/4" x 36 1/4"
(1530 mm x 820mm)

6032LST-R

OD: 60" x 32" (1524 mm x 813 mm)
Threshold Height: 2 1/2" (63.5 mm)
Rough Opening: 60 1/4" x 36 1/4"
(1530 mm x 820mm)

ADA Trench
Drains



6237TD

OD: 62 3/8" x 36 3/4" (1584 mm x 933 mm)
Threshold Height: 1 9/16" (39 mm)
Rough Opening: 62 35/8" x 36 7/8"
(1591 mm x 937 mm)

3838ETR

OD: 38 1/2" x 36 3/4" (978 mm x 933 mm)
Threshold Height: 0" with 1 1/8" Recess (29mm)
Rough Opening: 38 3/4" x 36 5/8"
(985 mm x 930mm)

6237ETR

OD: 62 1/2" x 36 3/4" (1588 mm x 933 mm)
Threshold Height: 4 1/4" (108 mm)
Rough Opening: 62 3/4" x 36 7/8"
(1594 mm x 937mm)

ADA Roll-in
Pans



3838ECR

OD: 38 1/2" x 38 1/2" (978 mm x 978 mm)
Threshold Height: 0" with 1 1/8" Recess (29mm)
Rough Opening: 38 3/4" x 38 5/8"
(985 mm x 921 mm)

6237ECR

OD: 62 1/2" x 36 3/4" (1588 mm x 933 mm)
Threshold Height: 0" with 1 1/8" Recess (29mm)
Rough Opening: 62 3/4" x 36 7/8"
(1594 mm x 937mm)

6036ECX

OD: 60" x 36" (1524 mm x 914 mm)
Threshold Height: 4 1/4" (108 mm)
Rough Opening: 60 1/4" x 36 1/4"
(1530 mm x 819mm)

Standard
Threshold



3660ECS

OD: 36" x 60" (1524 mm x 914 mm)
Threshold Height: 4 1/4" (108 mm)
Rough Opening: 60 1/4" x 36 1/4"
(1530 mm x 819mm)

6036ECS

OD: 60" x 36" (1524 mm x 914 mm)
Threshold Height: 4 1/4" (108 mm)
Rough Opening: 60 1/4" x 36 1/4"
(1530 mm x 819mm)

3636ECS

OD: 36" x 36" (914 mm x 914 mm)
Threshold Height: 4 1/4" (108 mm)
Rough Opening: 36 1/4" x 36 1/4"
(921 mm x 921mm)

6237ECS

OD: 62 1/2" x 36 3/4" (1588 mm x 933 mm)
Threshold Height: 4 1/4" (108 mm)
Rough Opening: 62 3/4" x 36 7/8"
(1594 mm x 937 mm)

Low Standard
Threshold (LST)



4836LST-R

OD: 48" x 36" (1219 mm x 914 mm)
Threshold Height: 2 1/2" (64 mm)
Rough Opening: 48 1/4" x 36 1/4"
(1225 mm x 921 mm)

4836LST-L

OD: 48" x 36" (1219 mm x 914 mm)
Threshold Height: 2 1/2" (64 mm)
Rough Opening: 48 1/4" x 36 1/4"
(1225 mm x 921 mm)

Shower
Caddies

Coming Soon!

36" x 36" Low Standard Threshold

Neo Angle

OD: 36" x 36" (914 mm x 914 mm)
 Threshold Height: 2 1/2" (64 mm)
 Rough Opening: 36 1/4" x 36 1/4" (921 mm x 921 mm)
 Shower Pan Weight: 60 lbs. (27kg.)

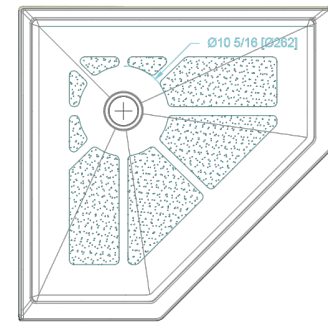
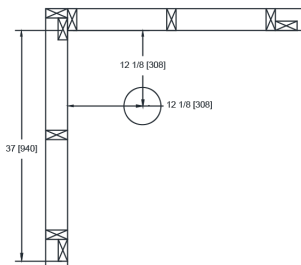
The Gemstone N3636LST 2 1/2" threshold allows for a low clearance threshold while allowing excellent drainage in a Neo Angle configuration. The option to add an optional factory applied patented membrane system to the shower pan is perfect for eliminating the risk of leakage at the most vulnerable point between the threshold of the shower pan and the flooring that adjoins, allowing the pan to be tied into a tile or flooring system. The texture meets and exceeds the F462 COF testing while being very easy to clean and the 1" water dams allow any wall system to be securely added. The grid system on the bottom of the pan has designed locations where elastomeric adhesion can be used to secure the pan to the substrate which is an advantage over other brands.

Gemstone shower pans carry a 10 year factory warranty when installed in accordance to the Gemstone installation instructions

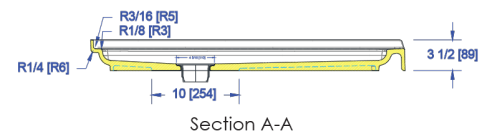
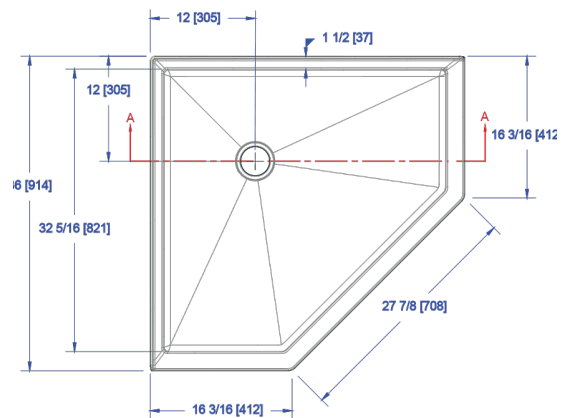
Drain Layout

Center of Drain is 12 1/8 (308 mm) from back wall by 32 1/8" (308mm) from left or right stud wall.
 A 6" core is recommended for drain clearance*

*Check all building and fire codes prior to installation

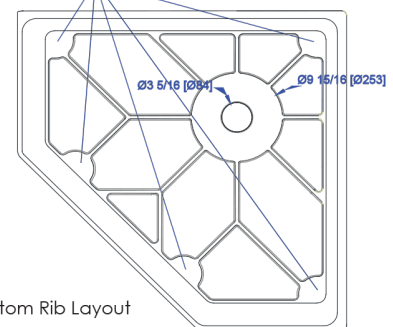


Texture Pattern



Section A-A

Adhesive Locators
 On Corners &
 Center Locations



Bottom Rib Layout



Certified by:
Home Innovation Lab
 (NAHB):ANSI Z124.2



Gemstone Shower Pans are proudly made in the USA

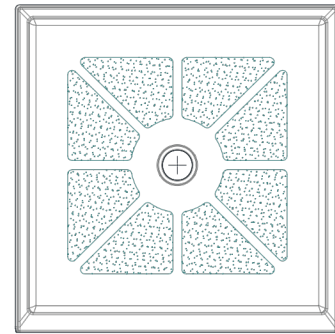
36" x 36" Low Standard Threshold

Center Drain

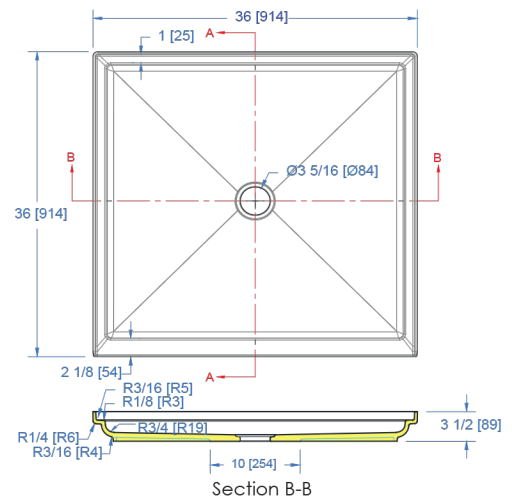
OD: 36" x 36" (914 mm x 914 mm)
 Threshold Height: 2 1/2" (64 mm)
 Rough Opening: 36 1/4" x 36 1/4" (921 mm x 921 mm)
 Shower Pan Weight: 108 lbs. (50kg.) 17 3/4 [451]24

The Gemstone 3636LST 2 1/2" threshold allows for a low clearance threshold while allowing excellent drainage. The option to add an optional factory applied patented membrane system to the shower pan is perfect for eliminating the risk of leakage at the most vulnerable point between the threshold of the shower pan and the flooring that adjoins, allowing the pan to be tied into a tile or flooring system. The texture meets and exceeds the F462 COF testing while being very easy to clean and the 1" water dams allow any wall system to be securely added. The grid system on the bottom of the pan has designed locations where elastomeric adhesion can be used to secure the pan to the substrate which is an advantage over other brands.

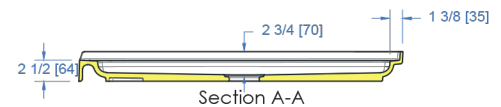
Gemstone shower pans carry a 10 year factory warranty when installed in accordance to the Gemstone installation instructions.



Texture Pattern



Section B-B

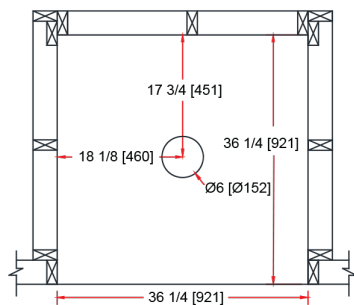


Section A-A

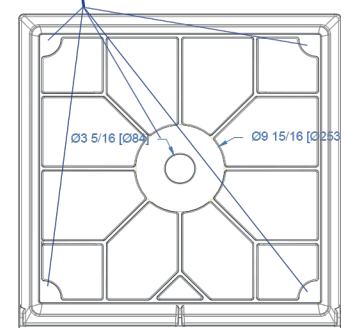
Drain Layout

Center of Drain is 17 3/4 (451mm) from back wall by 36 1/4" (921mm) from left or right stud wall.
 A 6" core is recommended for drain clearance*

*Check all building and fire codes prior to installation



Adhesive Locators
 On Corners &
 Center Locations



Bottom Rib Layout



Certified by:
Home Innovation Lab
 (NAHB):ANSI Z124.2



Gemstone Shower Pans are
 proudly made in the USA

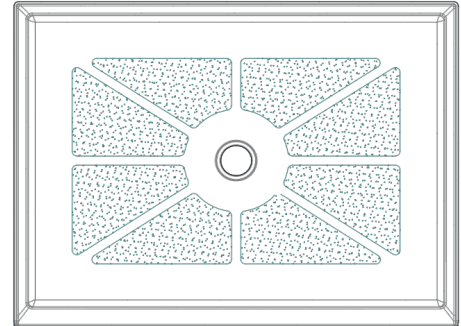
48" x 36" Low Standard Threshold

Center Drain

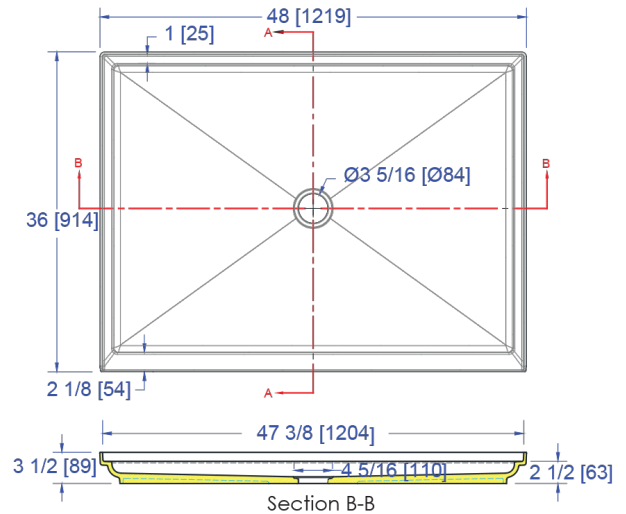
OD: 48" x 36" (1219 mm x 914 mm)
 Threshold Height: 2 1/2" (64 mm)
 Rough Opening: 48 1/4" x 36 1/4" (1225 mm x 921 mm)
 Shower Pan Weight: 108 lbs. (50kg.)

The Gemstone 4836LST 2 1/2" threshold allows for a low clearance threshold while allowing excellent drainage. The option to add an optional factory applied patented membrane system to the shower pan is perfect for eliminating the risk of leakage at the most vulnerable point between the threshold of the shower pan and the flooring that adjoins, allowing the pan to be tied into a tile or flooring system. The texture meets and exceeds the F462 COF testing while being very easy to clean and the 1" water dams allow any wall system to be securely added. The grid system on the bottom of the pan has designed locations where elastomeric adhesion can be used to secure the pan to the substrate which is an advantage over other brands.

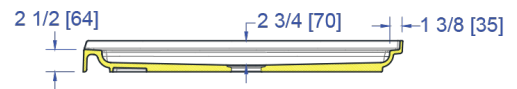
Gemstone shower pans carry a 10 year factory warranty when installed in accordance to the Gemstone installation instructions.



Texture Pattern

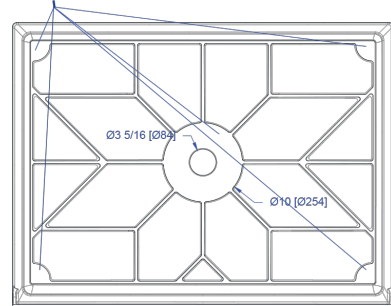


Section B-B



Section A-A

Adhesive Locators
 On Corners &
 Center Locations

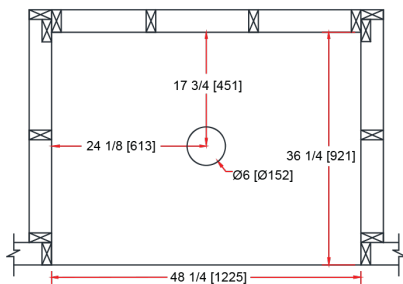


Bottom Rib Layout

Drain Layout

Center of Drain is 17 3/4 (451mm) from back wall by 24 1/8" (613mm) from left or right stud wall.
 A 6" core is recommended for drain clearance*

*Check all building and fire codes prior to installation



Certified by:
Home Innovation Lab
 (NAHB):ANSI Z124.2



Gemstone Shower Pans are proudly made in the USA

60" x 32" LST-L Shower Pan

Left Drain

OD: 60" x 32" (1524 mm x 813 mm)
 Threshold Height: 2 1/2" (63.5 mm)
 Rough Opening: 60 1/4" x 36 1/4" (1530 mm x 820mm)
 Shower Pan Weight: 90lbs. (40.82 kg.)

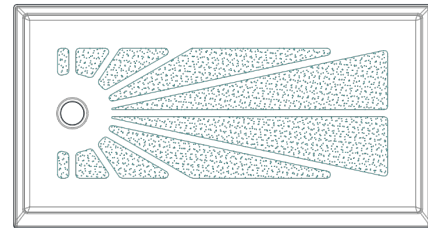
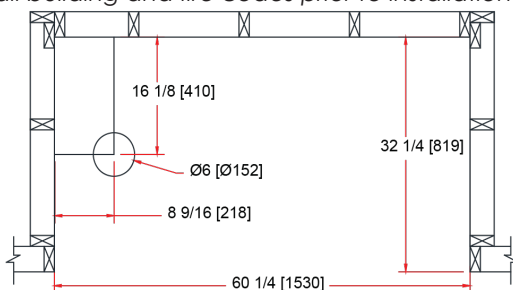
The Gemstone 6032LST-L, 2 1/2" low clearance threshold is designed as a bathtub replacement shower pan with a left drain (Right is also available). The option to add an optional factory applied patented membrane system to the shower pan is perfect for eliminating the risk of leakage at the most vulnerable point between the threshold of the shower pan and the flooring that adjoins, allowing the pan to be tied into a tile or flooring system. The non-slip texture meets and exceeds the F462 COF testing while being very easy to clean and the 1" water dams allow any wall system to be securely added. The grid system on the bottom of the pan has designed locations where elastomeric adhesion can be used to secure the pan to the substrate which is an advantage over other brands.

Gemstone shower pans carry a 10 year factory warranty when installed in accordance to the Gemstone installation instructions.

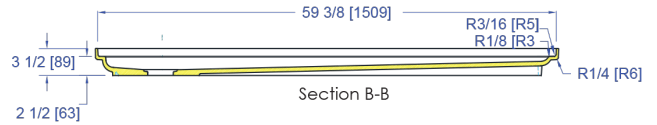
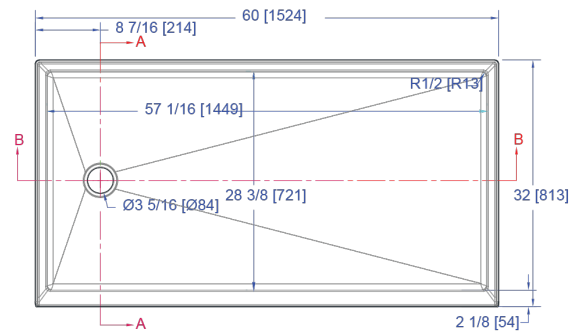
Drain Layout

Center of Drain is 16 1/8 x 8 9/16" from left stud wall.
 A 6" core is recommended for drain clearance*

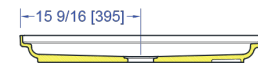
*Check all building and fire codes prior to installation



Top View Showing Texture

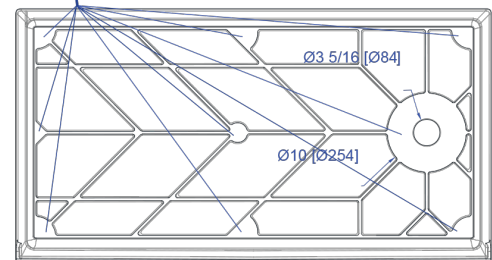


Section B-B



Section A-A

Adhesive Locators
 On Corners &
 Center Locations



Bottom Rib Layout



Certified by:
Home Innovation Lab
 (NAHB):ANSI Z124.2



Gemstone Shower Pans are
 proudly made in the USA

60" x 32" LST-R Shower Pan

Right Drain

OD: 60" x 32" (1524 mm x 813 mm)
Threshold Height: 2 1/2" (63.5 mm)
Rough Opening: 60 1/4" x 36 1/4" (1530 mm x 820mm)
Shower Pan Weight: 90lbs. (40.82 kg.)

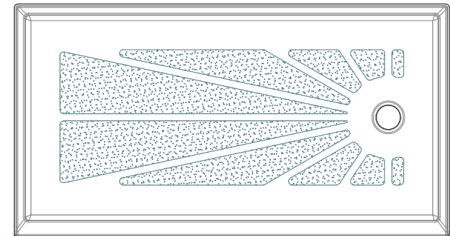
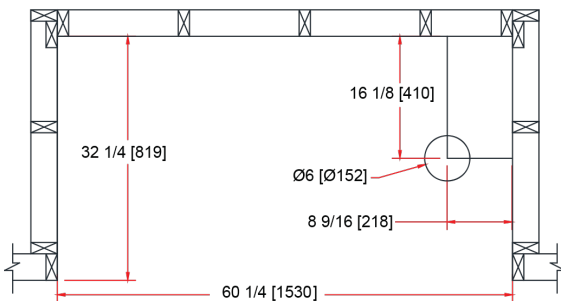
The Gemstone 6032LST-R, 2 1/2" low clearance threshold is designed as a bathtub replacement shower pan with a right drain (Left is also available). The option to add an optional factory applied patented membrane system to the shower pan is perfect for eliminating the risk of leakage at the most vulnerable point between the threshold of the shower pan and the flooring that adjoins, allowing the pan to be tied into a tile or flooring system. The non-slip texture meets and exceeds the F462 COF testing while being very easy to clean and the 1" water dams allow any wall system to be securely added. The grid system on the bottom of the pan has designed locations where elastomeric adhesion can be used to secure the pan to the substrate which is an advantage over other brands.

Gemstone shower pans carry a 10 year factory product warranty when installed in accordance to the Gemstone installation instructions.

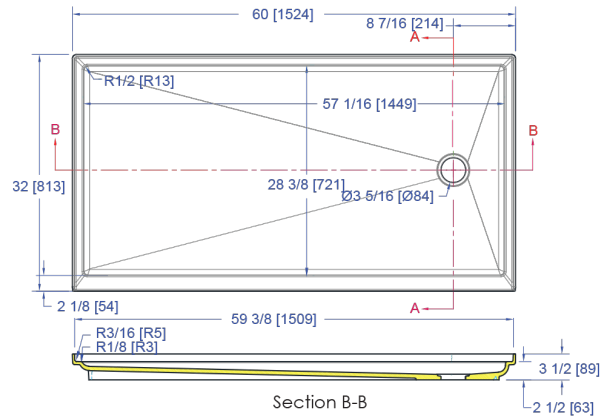
Drain Layout

Center of Drain is 16 1/8 x 8 9/16" from Right stud wall
A 6" core is recommended for drain clearance*

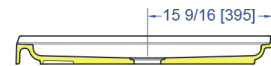
*Check all building and fire codes prior to installation



Top View Showing Texture

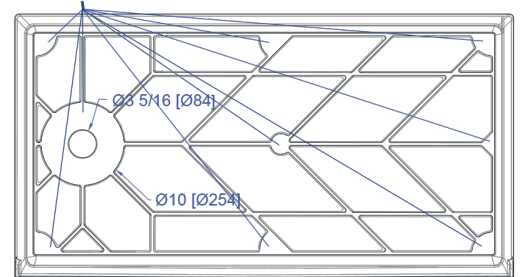


Section B-B



Section A-A

Adhesive Locators
On Corners &
Center Locations



Bottom Rib Layout



Certified by:
Home Innovation Lab
(NAHB):ANSI Z124.2



Gemstone Shower Pans are proudly made in the USA

2040 Industrial Pkwy Elkhart, IN 46516 • 574-294-8899 or 877-233-7893

sales@gemstiness.com • www.gemstiness.com

GSTECH210720

62" x 37" Trench Drain ADA

Center Front Trench Drain

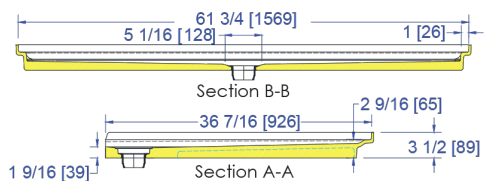
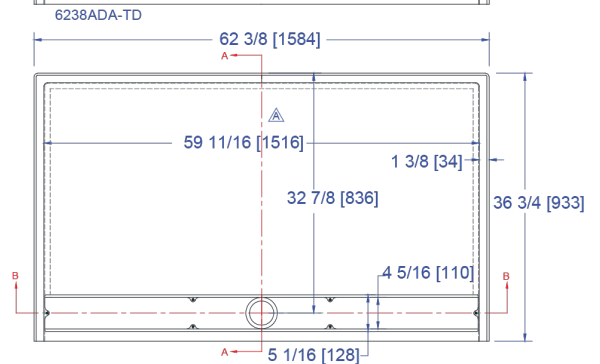
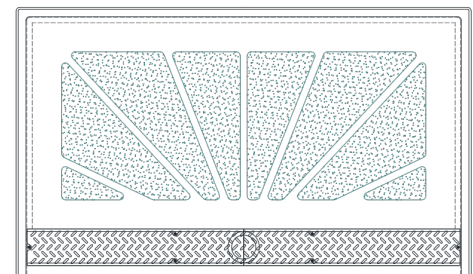
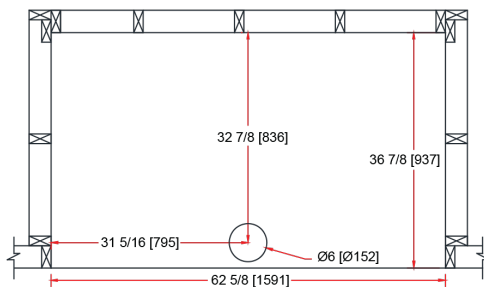
OD: 62 3/8" x 36 3/4" (1584 mm x 933 mm)
 Threshold Height: 1 9/16" (39 mm)
 Rough Opening: 62 5/8" x 36 7/8" (1591 mm x 937 mm)
 Shower Pan Weight: 108 lbs. (50kg.)

The Gemstone 6237TD roll in trench drain pan is the perfect answer for ADA applications where wheel chair access is required. With a 12 gauge stainless steel cover that can be removed, full cleaning can be achieved as well as excellent water evacuation and drainage from the shower floor. The overall height of the pan is 3 1/2" and with a 1 9/16 overall front threshold, only a slight recess is required for a perfect entry. With a slight drawback on the front of the threshold and a slope back to the pan from the inside of the room, the trench can recapture any water that may be sprayed to the outside. The optional factory applied patented membrane system to the shower pan is perfect for eliminating the risk of leakage at the most vulnerable point between the threshold of the shower pan and the flooring that adjoins, allowing the pan to be tied into a tile or other flooring system. The texture meets and exceeds the F462 COF testing while being very easy to clean and the 1" water dams allow any wall system to be securely added. The grid system on the bottom of the pan has designed locations where elastomeric adhesion can be used to secure the pan to the substrate which is an advantage over other brands.

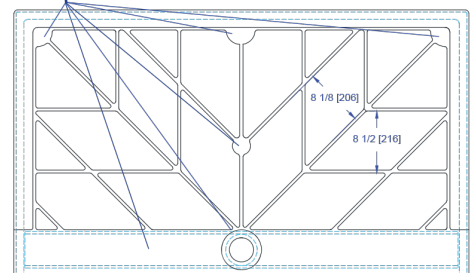
Drain Layout

Center of Drain is 32 7/8 (836mm) from back wall by 31 5/16" (795mm) from left or right stud wall.
 A 6" core is recommended for drain clearance*

*Check all building and fire codes prior to installation



Adhesive Locators
 On Corners &
 Center Locations



Bottom Grid



Certified by:
Home Innovation Lab
 (NAHB):ANSI Z124.2



Gemstone Shower Pans are proudly made in the USA

2040 Industrial Pkwy Elkhart, IN 46516 • 574-294-8899 or 877-233-7893

sales@gemstiness.com • www.gemstiness.com

GSTECH210720

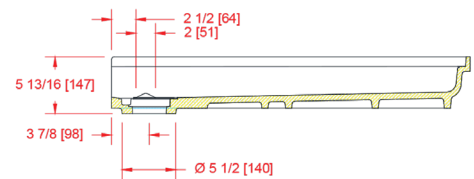
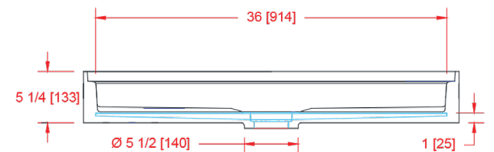
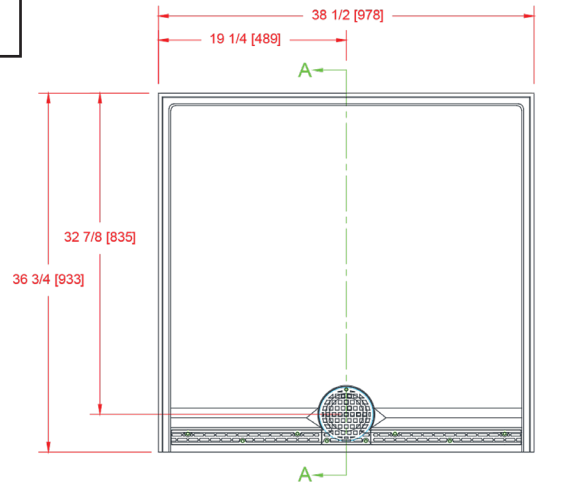
38 1/2" x 38 1/2" Trench Drain Pan

Center Front Trench Drain

OD: 38 1/2" x 36 3/4 (978 mm x 933 mm)
 Threshold Height: 0" (0 mm) with 1 1/8" Recess (29mm)
 Rough Opening: 38 3/4 x 36 5/8" (985 mm x 930mm)
 Shower Pan Weight: 82lbs. (37.2kg.)

The Gemstone 3838ETR trench drain roll-in pan is suitable for ADA transfer pan configuration. The drain feature at the front of the pan maximizes water retention, while complying with ADA elevation change requirements for a roll-in pan. In addition, with correct slope back to the pan from the bathroom floor, water can re-enter the pan reducing the opportunity for fugitive water acting as a floor drain for the rest of the bathroom. The option to add an optional factory applied patented membrane system to the shower pan is perfect for eliminating the risk of leakage at the most vulnerable point between the threshold of the shower pan and the flooring that adjoins, allowing the pan to be tied into a tile or flooring system. Gemstone shower pans meet and exceed the F462 COF testing while being very easy to clean and the 1" water dams allow any wall system to be securely added. The grid system on the bottom of the pan is built in for maximum structure and integrity. The 3838ETR is perfect for commercial applications for maximum durability.

Gemstone shower pans carry a 10 year factory warranty when installed in accordance to the Gemstone installation instructions.

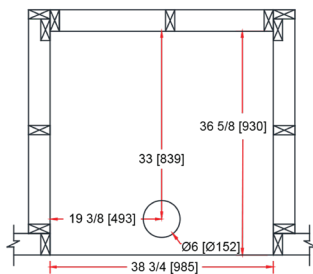


SECTION A-A

Drain Layout

Center of Drain is 33" [839mm] from back stud wall by
 19 3/8" [493mm] from Left stud wall.
 A 6" core is recommended for drain clearance*

*Check all building and fire codes prior to installation



Certified by:
Home Innovation Lab
 (NAHB):ANSI Z124.2



Gemstone Shower Pans are proudly made in the USA

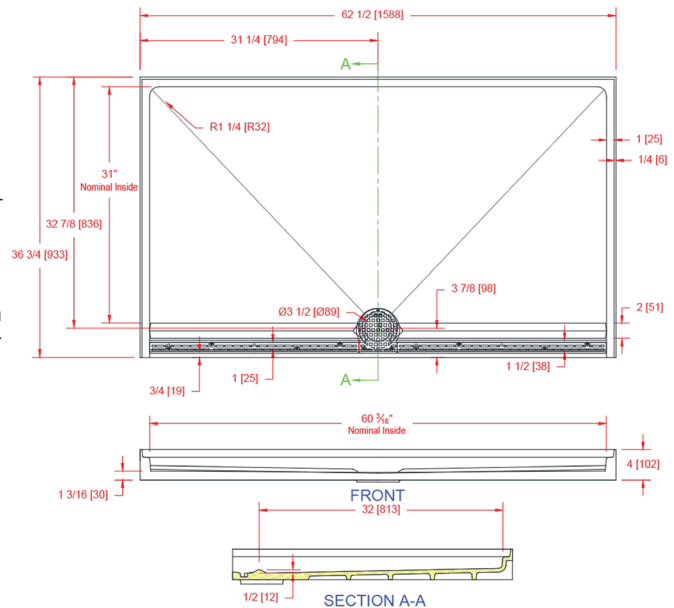
62" x 37" Trench Drain ADA

Center Front Trench Drain

OD: 62 1/2" x 36 3/4" (1588 mm x 933 mm)
 Threshold Height: 1 3/16" (30 mm)
 Rough Opening: 62 3/4" x 36 7/8" (1594 mm x 937 mm)
 Shower Pan Weight: 130 lbs. (59kg.)

The Gemstone 6237ETR trench drain roll-in pan is suitable for ADA transfer pan configuration. The drain feature at the front of the pan maximizes water retention, while complying with ADA elevation change requirements for a roll-in pan. In addition, with correct slope back to the pan from the bathroom floor, water can re-enter the pan reducing the opportunity for fugitive water acting as a floor drain for the rest of the bathroom. The option to add an optional factory applied patented membrane system to the shower pan is perfect for eliminating the risk of leakage at the most vulnerable point between the threshold of the shower pan and the flooring that adjoins, allowing the pan to be tied into a tile or flooring system. Gemstone shower pans meet and exceed the F462 COF testing while being very easy to clean and the 1" water dams allow any wall system to be securely added. The grid system on the bottom of the pan is built in for maximum structure and integrity. The 6237ETR is perfect for commercial applications for maximum durability.

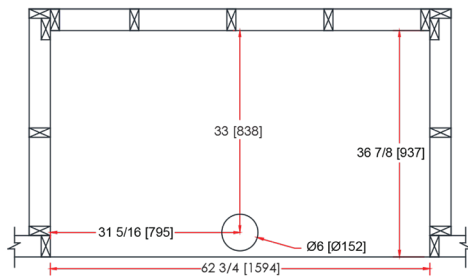
Gemstone shower pans carry a 10 year factory warranty when installed in accordance to the Gemstone installation instructions.



Drain Layout

Center of Drain is 33 (838mm) from back wall by 31 5/16" (795mm) from left or right stud wall.
 A 6" core is recommended for drain clearance*

*Check all building and fire codes prior to installation



Certified by:
Home Innovation Lab
 (NAHB):ANSI Z124.2



Gemstone Shower Pans are proudly made in the USA

2040 Industrial Pkwy Elkhart, IN 46516 • 574-294-8899 or 877-233-7893

sales@gemstiness.com • www.gemstiness.com

GSTECH210720

38 1/2" x 38 1/2" Roll-in Transfer Pan

Center Roll-in Drain

OD: 38 1/2" x 38 1/2" (978 mm x 978 mm)
Threshold Height: 0" (0 mm) with 1 1/8" Recess (29mm)
Rough Opening: 38 3/4 x 38 5/8" (985 mm x 921mm)
Shower Pan Weight: 82lbs. (37.2kg.)

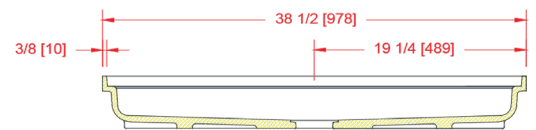
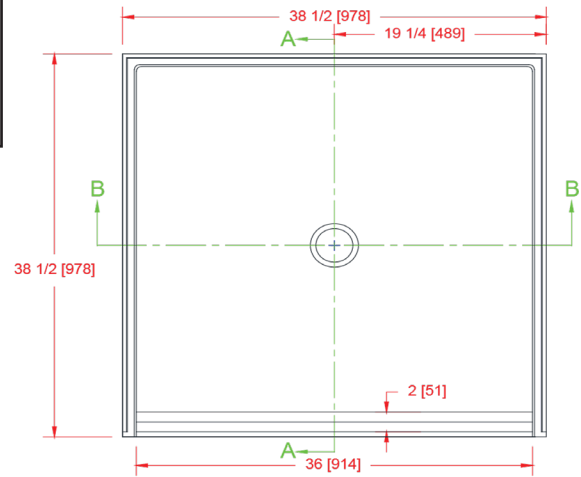
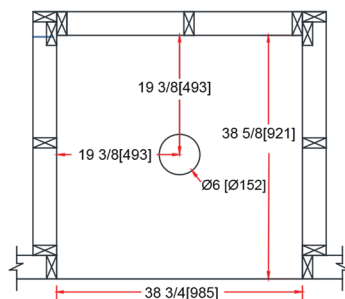
The Gemstone 3838ECR transfer pan is suitable for a center drain ADA configuration. Feature at the front of the pan maximizes water retention, while complying with ADA elevation change requirements for a roll-in pan. The option to add an optional factory applied patented membrane system to the shower pan is perfect for eliminating the risk of leakage at the most vulnerable point between the threshold of the shower pan and the flooring that adjoins, allowing the pan to be tied into a tile or flooring system. Gemstone shower pans meet and exceed the F462 COF testing while being very easy to clean and the 1" water dams allow any wall system to be securely added. The grid system on the bottom of the pan is built in for maximum structure and integrity. The 3838ECR is perfect for commercial applications for maximum durability.

Gemstone shower pans carry a 10 year factory warranty when installed in accordance to the Gemstone installation instructions.

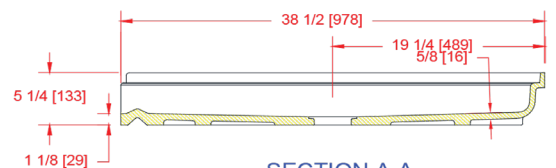
Drain Layout

Center of Drain is 19 3/8" [493mm] from back stud wall
by 19 3/8" [493mm] from Left stud wall.
A 6" core is recommended for drain clearance*

*Check all building and fire codes prior to installation



SECTION B-B



SECTION A-A



Certified by:
Home Innovation Lab
(NAHB):ANSI Z124.2



Gemstone Shower Pans are proudly made in the USA

2040 Industrial Pkwy Elkhart, IN 46516 • 574-294-8899 or 877-233-7893

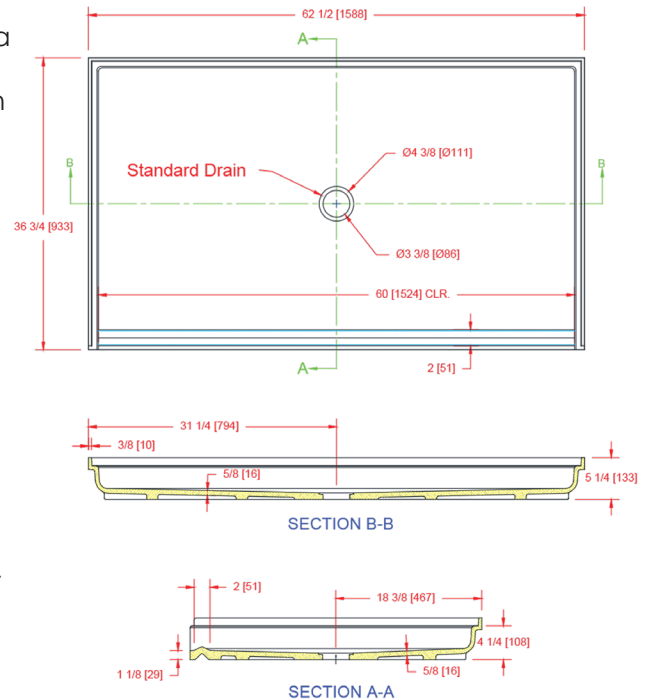
sales@gemstoness.com • www.gemstoness.com

62 1/2" x 36 3/4" Roll-in Shower Pan

Center Roll-in Drain

OD: 62 1/2" x 36 3/4" (1588 mm x 933 mm)
 Threshold Height: 0" (0 mm) with 1 1/8" Recess (29mm)
 Rough Opening: 62 3/4" x 36 7/8" (1594 mm x 937mm)
 Shower Pan Weight: 137lbs. (62.2kg)

The Gemstone 6237ECR roll-in shower pan is suitable for a center drain ADA configuration. Feature at the front of the pan maximizes water retention, while complying with ADA elevation change requirements for a roll-in pan. The option to add an optional factory applied patented membrane system to the shower pan is perfect for eliminating the risk of leakage at the most vulnerable point between the threshold of the shower pan and the flooring that adjoins, allowing the pan to be tied into a tile or flooring system. Gemstone shower pans meet and exceed the F462 COF testing while being very easy to clean and the 1" water dams allow any wall system to be securely added. The grid system on the bottom of the pan is built in for maximum structure and integrity. The 6237ECR is perfect for commercial applications for maximum durability.

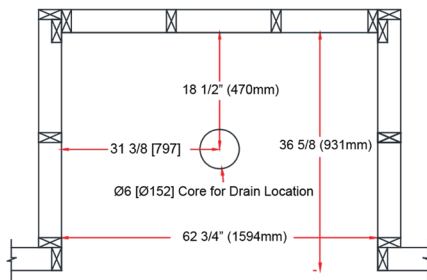


Gemstone shower pans carry a 10 year factory warranty when installed in accordance to the Gemstone installation instructions.

Drain Layout

Center of Drain is 18 1/2" [470mm] from back stud wall by 31 3/8" [797mm] from Left stud wall.
 A 6" core is recommended for drain clearance*

*Check all building and fire codes prior to installation



Certified by:
Home Innovation Lab
 (NAHB):ANSI Z124.2



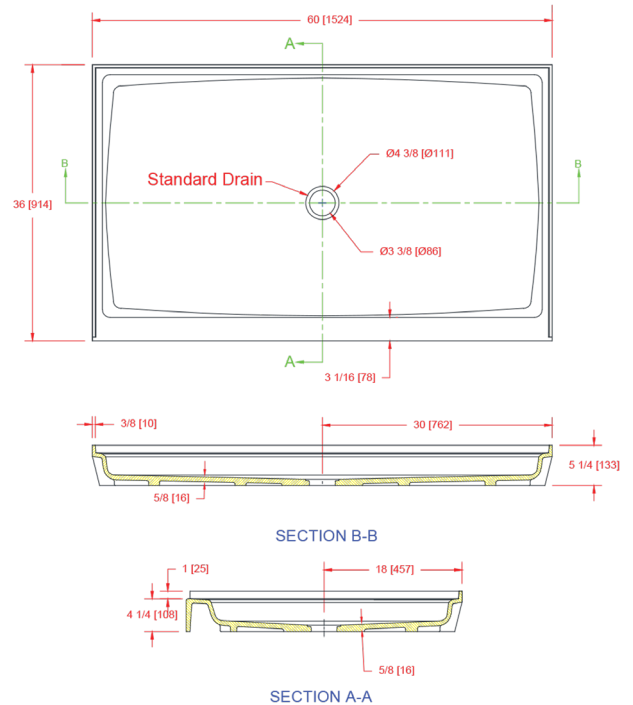
Gemstone Shower Pans are proudly made in the USA

60" x 36" Standard Threshold Pan

OD: 60" x 36" (1524 mm x 914 mm)
Threshold Height: 4 1/4" (108 mm)
Rough Opening: 60 1/4" x 36 1/4" (1530 mm x 819mm)
Shower Pan Weight: 137lbs. (62.2kg)

The Gemstone 6036ECX is a standard threshold shower pan with a center drain. The option to add an optional factory applied patented membrane system to the shower pan is perfect for eliminating the risk of leakage at the most vulnerable point between the threshold of the shower pan and the flooring that adjoins, allowing the pan to be tied into a tile or flooring system. Gemstone shower pans meet and exceed the F462 COF testing while being very easy to clean and the 1" water dams allow any wall system to be securely added. The grid system on the bottom of the pan is built in for maximum structure and integrity. The 6036ECS is perfect for commercial applications for maximum durability.

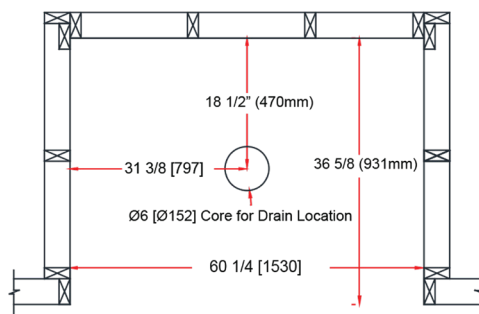
Gemstone shower pans carry a 10 year factory warranty when installed in accordance to the Gemstone installation instructions.



Drain Layout

Center of Drain is 18 1/2" [470mm] from back stud wall by 30 1/8" [765mm] from Left stud wall.
A 6" core is recommended for drain clearance*

*Check all building and fire codes prior to installation



Certified by:
Home Innovation Lab
(NAHB):ANSI Z124.2



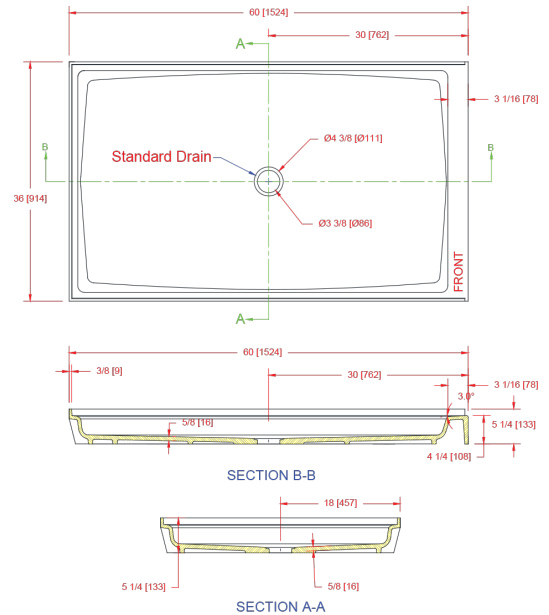
Gemstone Shower Pans are proudly made in the USA

36" x 60" Standard Threshold Pan

OD: 36" x 60" (914 mm x 1524 mm)
 Threshold Height: 4 1/4" (108 mm)
 Rough Opening: 60 1/4" x 36 1/4" (1530 mm x 819mm)
 Shower Pan Weight: 137lbs. (62.2kg)

The Gemstone 6036ECS is a standard threshold shower pan with a center drain. The option to add an optional factory applied patented membrane system to the shower pan is perfect for eliminating the risk of leakage at the most vulnerable point between the threshold of the shower pan and the flooring that adjoins, allowing the pan to be tied into a tile or flooring system. Gemstone shower pans meet and exceed the F462 COF testing while being very easy to clean and the 1" water dams allow any wall system to be securely added. The grid system on the bottom of the pan is built in for maximum structure and integrity. The 6036ECS is perfect for commercial applications for maximum durability.

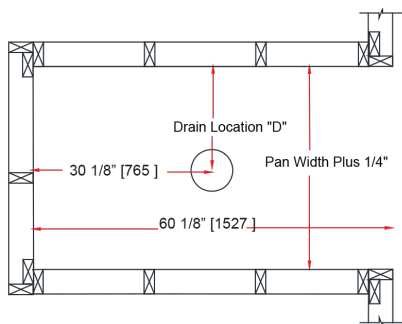
Gemstone shower pans carry a 10 year factory warranty when installed in accordance to the Gemstone installation instructions.



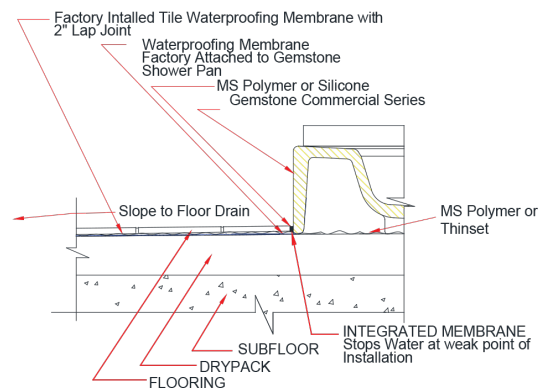
Drain Layout

Center of Drain is 18 1/2" [470mm] from back stud wall by 31 3/8" [797mm] from Left stud wall.
 A 6" core is recommended for drain clearance*

*Check all building and fire codes prior to installation



Optional Tile Integration System



Certified by:
Home Innovation Lab
 (NAHB):ANSI Z124.2



Gemstone Shower Pans are proudly made in the USA

2040 Industrial Pkwy Elkhart, IN 46516 • 574-294-8899 or 877-233-7893

sales@gemstiness.com • www.gemstiness.com

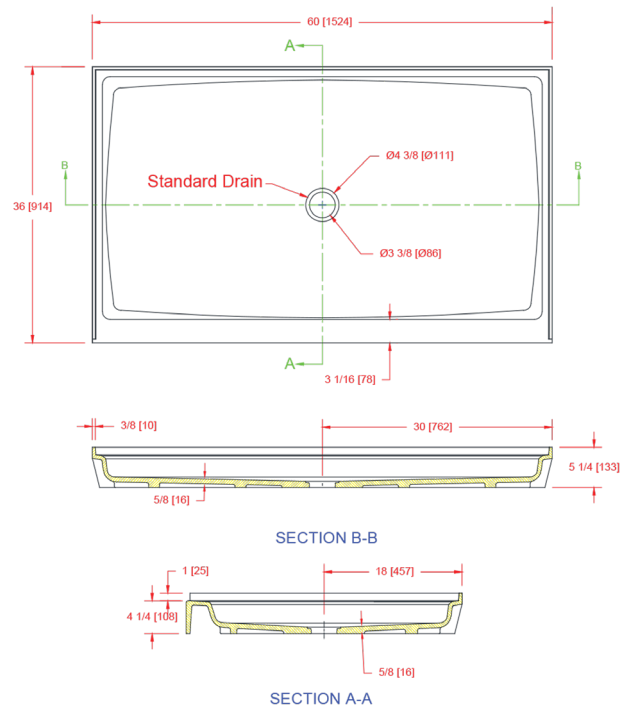
GSTECH210720

60" x 36" Standard Threshold Pan

OD: 60" x 36" (1524 mm x 914 mm)
 Threshold Height: 4 1/4" (108 mm)
 Rough Opening: 60 1/4" x 36 1/4" (1530 mm x 819mm)
 Shower Pan Weight: 137lbs. (62.2kg)

The Gemstone 6036ECS is a standard threshold shower pan with a center drain. The option to add an optional factory applied patented membrane system to the shower pan is perfect for eliminating the risk of leakage at the most vulnerable point between the threshold of the shower pan and the flooring that adjoins, allowing the pan to be tied into a tile or flooring system. Gemstone shower pans meet and exceed the F462 COF testing while being very easy to clean and the 1" water dams allow any wall system to be securely added. The grid system on the bottom of the pan is built in for maximum structure and integrity. The 6036ECS is perfect for commercial applications for maximum durability.

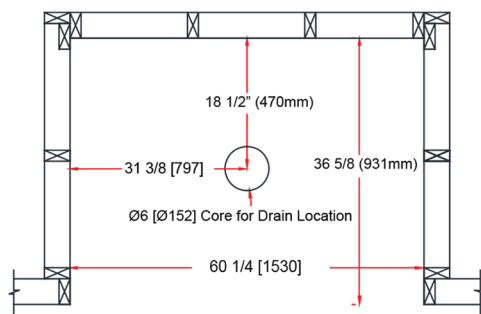
Gemstone shower pans carry a 10 year factory warranty when installed in accordance to the Gemstone installation instructions.



Drain Layout

Center of Drain is 18 1/2" [470mm] from back stud wall by 30 1/8" [765mm] from Left stud wall.
 A 6" core is recommended for drain clearance*

*Check all building and fire codes prior to installation



Certified by:
Home Innovation Lab
 (NAHB):ANSI Z124.2



Gemstone Shower Pans are proudly made in the USA

36" x 36" Shower Pan

OD: 36" x 36 (914 mm x 914 mm)
 Threshold Height: 4 1/4" (108 mm)
 Rough Opening: 36 1/4" x 36 1/4" (921 mm x 921 mm)
 Shower Pan Weight: 82lbs. (37.2kg.)

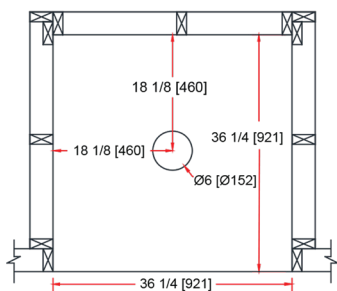
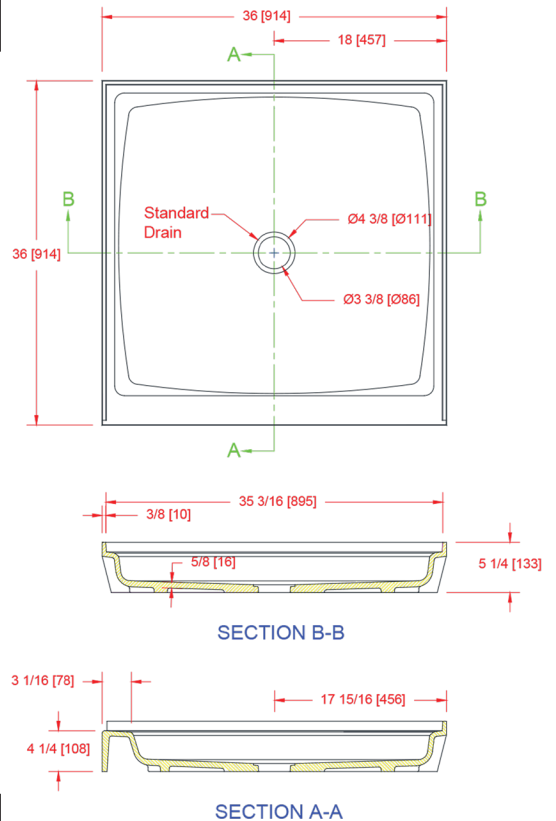
The Gemstone 3636ECS with a 4 1/4" threshold allows for a full threshold and maximum water retention. The option to add an optional factory applied patented membrane system to the shower pan is perfect for eliminating the risk of leakage at the most vulnerable point between the threshold of the shower pan and the flooring that adjoins, allowing the pan to be tied into a tile or flooring system. Gemstone shower pans meet and exceed the F462 COF testing while being very easy to clean and the 1" water dams allow any wall system to be securely added. The grid system on the bottom of the pan is built in for maximum structure and integrity. The 3636ECS is perfect for commercial applications for maximum durability.

Gemstone shower pans carry a 10 year factory warranty when installed in accordance to the Gemstone installation instructions.

Drain Layout

Center of Drain is 18 1/8" from back stud wall by 18 1/8" from Right and Left stud wall.
 A 6" core is recommended for drain clearance*

*Check all building and fire codes prior to installation



Certified by:
Home Innovation Lab
 (NAHB):ANSI Z124.2



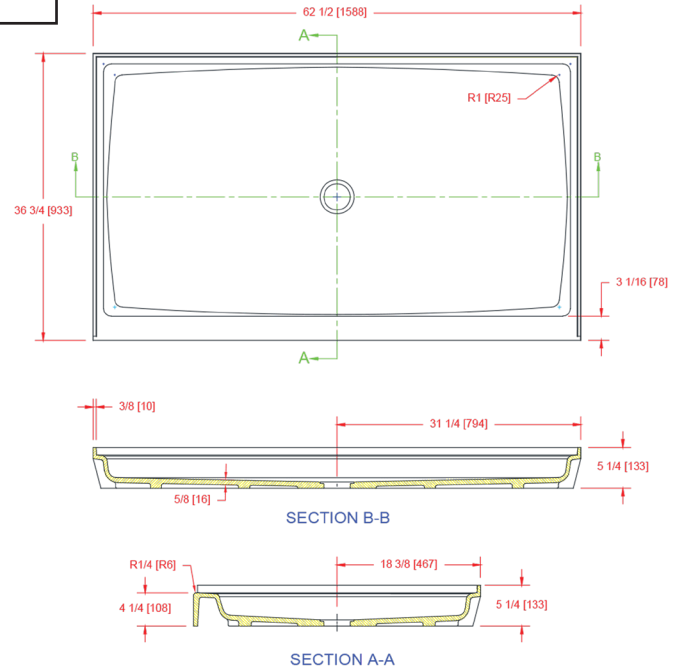
Gemstone Shower Pans are proudly made in the USA

62 1/2" x 36 3/4" Standard Threshold Pan

OD: 62 1/2" x 36 3/4" (1588 mm x 933 mm)
Threshold Height: 4 1/4" (108 mm)
Rough Opening: 62 3/4" x 36 7/8" (1594 mm x 937 mm)
Shower Pan Weight: 137lbs. (62.2kg)

The Gemstone 6237ECS is a standard threshold shower center drain shower pan. The 6237ECS has the same rough opening configuration as the 6237ECR. The option to add an optional factory applied patented membrane system to the shower pan is perfect for eliminating the risk of leakage at the most vulnerable point between the threshold of the shower pan and the flooring that adjoins, allowing the pan to be tied into a tile or flooring system. Gemstone shower pans meet and exceed the F462 COF testing while being very easy to clean and the 1" water dams allow any wall system to be securely added. The grid system on the bottom of the pan is built in for maximum structure and integrity. The 6237ECS is perfect for commercial applications for maximum durability.

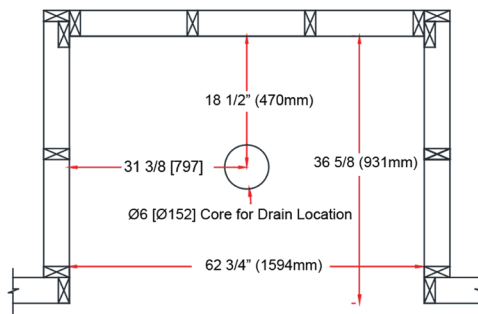
Gemstone shower pans carry a 10 year factory warranty when installed in accordance to the Gemstone installation instructions.



Drain Layout

Center of Drain is 18 1/2" [470mm] from back stud wall by 31 3/8" [797mm] from Left stud wall.
A 6" core is recommended for drain clearance*

*Check all building and fire codes prior to installation



Certified by:
Home Innovation Lab
(NAHB):ANSI Z124.2



Gemstone Shower Pans are proudly made in the USA

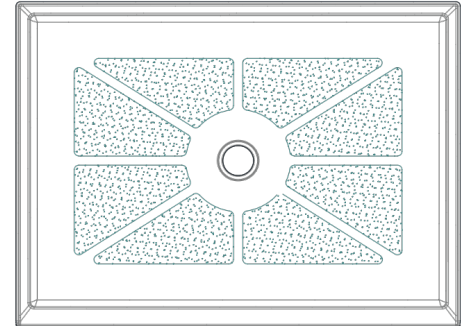
48" x 36" Low Standard Threshold

Right Drain

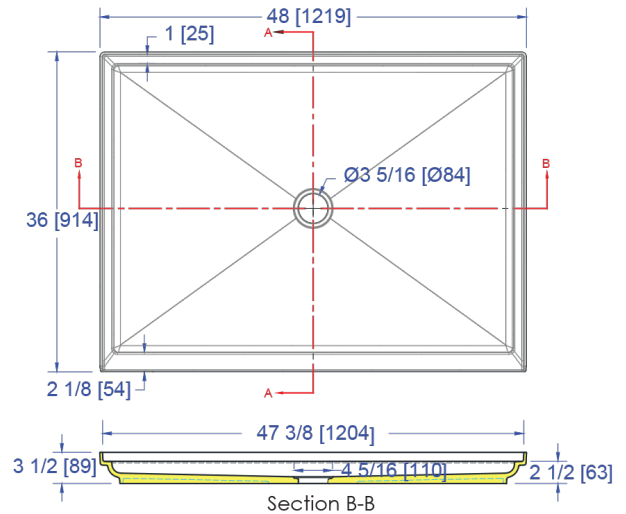
OD: 48" x 36" (1219 mm x 914 mm)
 Threshold Height: 2 1/2" (64 mm)
 Rough Opening: 48 1/4" x 36 1/4" (1225 mm x 921 mm)
 Shower Pan Weight: 108 lbs. (50kg.)

The Gemstone 4836LST 2 1/2" threshold allows for a low clearance threshold while allowing excellent drainage. The option to add an optional factory applied patented membrane system to the shower pan is perfect for eliminating the risk of leakage at the most vulnerable point between the threshold of the shower pan and the flooring that adjoins, allowing the pan to be tied into a tile or flooring system. The texture meets and exceeds the F462 COF testing while being very easy to clean and the 1" water dams allow any wall system to be securely added. The grid system on the bottom of the pan has designed locations where elastomeric adhesion can be used to secure the pan to the substrate which is an advantage over other brands.

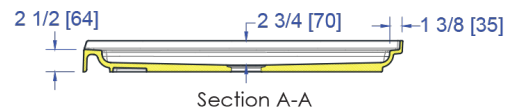
Gemstone shower pans carry a 10 year factory warranty when installed in accordance to the Gemstone installation instructions.



Texture Pattern

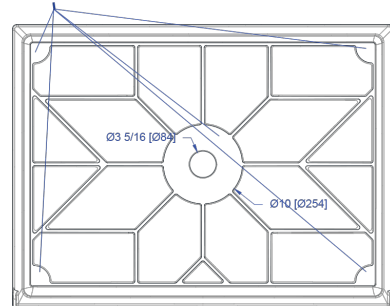


Section B-B



Section A-A

Adhesive Locators
 On Corners &
 Center Locations

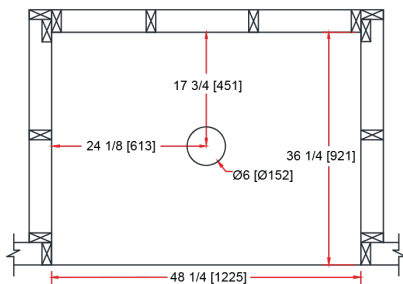


Bottom Rib Layout

Drain Layout

Center of Drain is 17 3/4 (451mm) from back wall by 24 1/8" (613mm) from left or right stud wall.
 A 6" core is recommended for drain clearance*

*Check all building and fire codes prior to installation



Certified by:
Home Innovation Lab
 (NAHB):ANSI Z124.2



Gemstone Shower Pans are
 proudly made in the USA

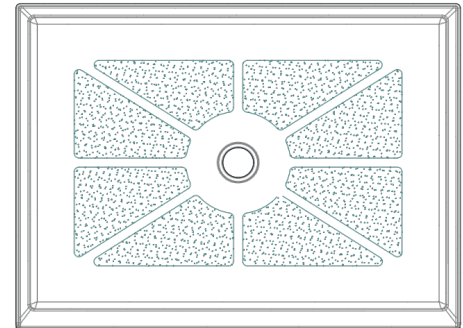
48" x 36" Low Standard Threshold

Left Drain

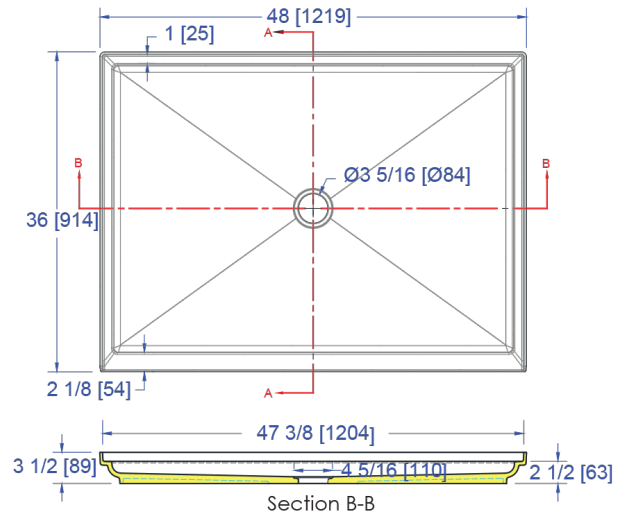
OD: 48" x 36" (1219 mm x 914 mm)
 Threshold Height: 2 1/2" (64 mm)
 Rough Opening: 48 1/4" x 36 1/4" (1225 mm x 921 mm)
 Shower Pan Weight: 108 lbs. (50kg.)

The Gemstone 4836LST 2 1/2" threshold allows for a low clearance threshold while allowing excellent drainage. The option to add an optional factory applied patented membrane system to the shower pan is perfect for eliminating the risk of leakage at the most vulnerable point between the threshold of the shower pan and the flooring that adjoins, allowing the pan to be tied into a tile or flooring system. The texture meets and exceeds the F462 COF testing while being very easy to clean and the 1" water dams allow any wall system to be securely added. The grid system on the bottom of the pan has designed locations where elastomeric adhesion can be used to secure the pan to the substrate which is an advantage over other brands.

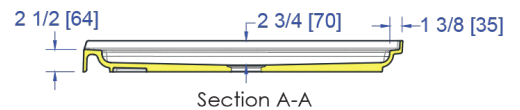
Gemstone shower pans carry a 10 year factory warranty when installed in accordance to the Gemstone installation instructions.



Texture Pattern

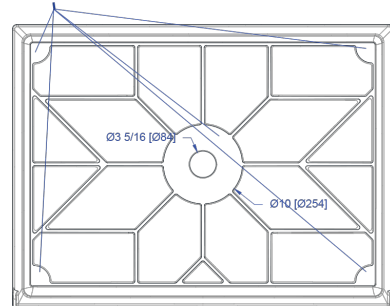


Section B-B



Section A-A

Adhesive Locators
 On Corners &
 Center Locations

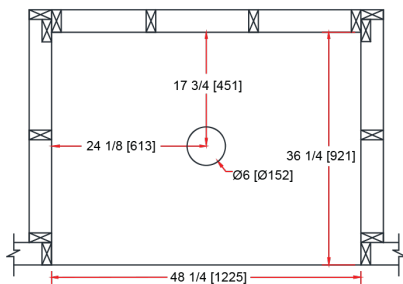


Bottom Rib Layout

Drain Layout

Center of Drain is 17 3/4 (451mm) from back wall by 24 1/8" (613mm) from left or right stud wall.
 A 6" core is recommended for drain clearance*

*Check all building and fire codes prior to installation



Certified by:
Home Innovation Lab
 (NAHB):ANSI Z124.2



Gemstone Shower Pans are
 proudly made in the USA

Router Bit Recommendations

VANITY	Gemstone Part No.		RouterBitsNow.com		Velepec	Amana	Whiteside
	Sink Draft	1/8" Radius	1/2" Radius	Bit Draft			
1014 - (V/VO)	11°	RBN-826-15125	820-1115	15°	Bearing	Bearing	Bearing
1114 - (R/VI)	4°	RBN-826-10125	820-1110	10°	BR-995A10	BR-995A10	BR-995A10
OCT12151215 - (V/VO)	4°	RBN-826-10125	820-1110	10°	BR-995A10	BR-995A10	BR-995A10
1313/1616 - (V/VO)	4°	RBN-826-10125	820-1110	10°	BR-995A10	BR-995A10	BR-995A10
C1316 - V	4°	RBN-826-10125	820-1110	10°	BR-995A10	BR-995A10	BR-995A10
1410 - (V/VO/RV)	8°	RBN-826-15125	820-1115	15°	BR-995A15	BR-995A15	BR-995A15
1414 - UVG	4°	RBN-826-10125	820-1110	10°	BR-995A10	BR-995A10	BR-995A10
1416 - V	4°	RBN-826-10125	820-1110	10°	BR-995A10	BR-995A10	BR-995A10
1512 - (V/VO)	13°	RBN-826-20125	820-1120	20°	BR-995A20	BR-995A20	BR-995A20
1513 - (V/VO)	4°	RBN-826-10125	820-1110	10°	BR-995A10	BR-995A10	BR-995A10
1514 - (V/VO/R/VOR)	4°	RBN-826-10125	820-1110	10°	BR-995A10	BR-995A10	BR-995A10
1518 - V	4°	RBN-826-10125	820-1110	10°	BR-995A10	BR-995A10	BR-995A10
1612 - (V/VO)	12°	RBN-826-15125	820-1115	15°	BR-995A15	BR-995A15	BR-995A15
1613 - (UV/JUV/HVO)	10°	RBN-826-10125	820-1110	10°	BR-995A10	BR-995A10	BR-995A10
1613 - VSO	7°	RBN-826-10125	820-1110	10°	BR-995A10	BR-995A10	BR-995A10
1711 - (UV/JUV)	5°	RBN-826-10125	820-1110	10°	BR-995A10	BR-995A10	BR-995A10
1712/1217 - (V/VO)	5°	RBN-826-10125	820-1110	10°	BR-995A10	BR-995A10	BR-995A10
1812 - (UV/JUV/HVO)	4°	RBN-826-10125	820-1110	10°	BR-995A10	BR-995A10	BR-995A10
1814 - (V/VO/EV/EVO)	5°	RBN-826-10125	820-1110	10°	BR-995A10	BR-995A10	BR-995A10
1914 - (V/VO)	10°	RBN-826-15125	820-1115	15°	BR-995A15	BR-995A15	BR-995A15
2112 - (V/VO)	10°	RBN-826-15125	820-1115	15°	BR-995A15	BR-995A15	BR-995A15
SINGLES							
1012 - ES	6°	RBN-826-10125	820-1110	10°	BR-995A10	BR-995A10	BR-995A10
1016 - S	6°	RBN-826-10125	820-1110	10°	BR-995A10	BR-995A10	BR-995A10
1318 - S	5°	RBN-826-10125	820-1110	10°	BR-995A10	BR-995A10	BR-995A10
1411 - ES	5°	RBN-826-10125	820-1110	10°	BR-995A10	BR-995A10	BR-995A10
1507 - ES	5°	RBN-826-10125	820-1110	10°	BR-995A10	BR-995A10	BR-995A10
1515 - ES	5°	RBN-826-10125	820-1110	10°	BR-995A10	BR-995A10	BR-995A10
1815 - S	5°	RBN-826-10125	820-1110	10°	BR-995A10	BR-995A10	BR-995A10
1824 - ES	5°	RBN-826-10125	820-1110	10°	BR-995A10	BR-995A10	BR-995A10
1517 - S	5°	RBN-826-10125	820-1110	10°	BR-995A10	BR-995A10	BR-995A10
N1616 - S	5°	RBN-826-10125	820-1110	10°	BR-995A10	BR-995A10	BR-995A10
1616 - (S/ES/UES)	5°	RBN-826-10125	820-1110	10°	BR-995A10	BR-995A10	BR-995A10
1626 - UES	5°	RBN-826-10125	820-1110	10°	BR-995A10	BR-995A10	BR-995A10
2116 - US	5°	RBN-826-10125	820-1110	10°	BR-995A10	BR-995A10	BR-995A10
2015 - S	5°	RBN-826-10125	820-1110	10°	BR-995A10	BR-995A10	BR-995A10
2318 - S	5°	RBN-826-10125	820-1110	10°	BR-995A10	BR-995A10	BR-995A10
2416 - ES	5°	RBN-826-10125	820-1110	10°	BR-995A10	BR-995A10	BR-995A10
2615 - S	5°	RBN-826-10125	820-1110	10°	BR-995A10	BR-995A10	BR-995A10
2716 - US ADA	5°	RBN-826-10125	820-1110	10°	BR-995A10	BR-995A10	BR-995A10
2718 - S	5°	RBN-826-10125	820-1110	10°	BR-995A10	BR-995A10	BR-995A10
2818 - S	5°	RBN-826-10125	820-1110	10°	BR-995A10	BR-995A10	BR-995A10
3217 - ES	5°	RBN-826-10125	820-1110	10°	BR-995A10	BR-995A10	BR-995A10
DOUBLES							
2916 - US ADA	5°	RBN-826-10125	820-1110	10°	BR-995A10	BR-995A10	BR-995A10
1729/2917 - D	5°	RBN-826-10125	820-1110	10°	BR-995A10	BR-995A10	BR-995A10
1930 - DL	5°	RBN-826-10125	820-1110	10°	BR-995A10	BR-995A10	BR-995A10
1630/3016 - D	5°	RBN-826-15125	820-1110	10°	BR-995A10	BR-995A10	BR-995A10
3118 - D	6°	RBN-826-10125	820-1110	10°	BR-995A10	BR-995A10	BR-995A10
3218 - D	6°	RBN-826-10125	820-1110	10°	BR-995A10	BR-995A10	BR-995A10
1324 - D	10°	RBN-826-15125	820-1115	15°	BR-995A15	BR-995A15	BR-995A15
1723 - D	13°	RBN-826-20125	820-1120	20°	BR-995A20	BR-995A20	BR-995A20
1523 - D	5°	RBN-826-10125	820-1110	10°	BR-995A10	BR-995A10	BR-995A10
SPECIALTY							
2213 - (V/VO)	15°	RBN-826-20125	820-1120	20°	BR-995A20	BR-995A20	BR-995A20
1311 - S	16°	RBN-826-20125	820-1120	20°	BR-995A20	BR-995A20	BR-995A20

This chart is provided as a reference only. While this reference is provided in the interest of the fabricator, it is not guaranteed and the author(s) bears no responsibility for the final outcome. It is recommended that each bit be checked and qualified prior to any production. If an error or better recommendation is found, please contact jsmith@gemstoness.com. Thank you very much.

2040 Industrial Pkwy Elkhart, IN 46516 • 574-294-8899 or 877-233-7893

sales@gemstoness.com • www.gemstoness.com

SECTION 06651

SOLID SURFACE FABRICATIONS

Insert the following for Gemstone in to the appropriate sections:

1.3 DEFINITION

A. Solid surface is defined as nonporous, homogeneous material maintaining the same composition throughout the part with a composition of acrylic and or acrylic modified polymer, aluminum trihydrate filler and pigment.

1.4 SUBMITTALS

E. LEED submittals:

1. Credits MR 5.1—Regional Material
 - a. Product data indicating that materials are regionally manufactured and within 500 miles of the project site.

2.1 MANUFACTURERS

A. Manufacturers:

1. Subject to compliance with requirements, provide products by one of the following for surfacing materials:
 - a. (insert Sheet manufacture's name)

2. Subject to compliance with requirements, provide products by one of the following for solid surface sinks:
 - a. Gemstone (basis of design) (877)-233-7893

2.2 MATERIALS

B. Solid Surface Sinks

1. Solid surface integral vanity bowls shall have a smooth poly-lined overflow (not corrugated) minimizing the entrapment of bacteria.

 2. Overflows shall be integral or factory applied
- Or**
1. Solid surface integral vanity bowls shall not have an overflow tube.

GEMSTONE, a modern solid surfacing material manufactured by Gemstone provides a choice of solid and patterned sinks and bowls to give a rich luxurious feeling to kitchens, wet bars, vanity tops, and many other applications. GEMSTONE solid surface sinks and bowls are manufactured with the color and pattern running throughout its thickness. This feature allows you to repair minor damages to maintain a like new appearance indefinitely.

While GEMSTONE Solid Surface is extremely tough and durable, like any fine material it can be damaged if abused or mistreated. Reviewing these care and cleaning instructions can assist you in understanding how easy it is to care for GEMSTONE Solid Surface products and how you can prevent more severe damage that may require professional repairs.

Normal Cleaning: GEMSTONE Solid Surface sinks and bowls are non-porous so they can be easily wiped clean with a damp cloth or sponge and mild detergents, such as 409® or Fantastic®, or general purpose cleaners. If you have a factory matte finish, abrasive cleaners may also be used. Periodically, it may also be helpful to go over the entire surface with an abrasive cleaner such as Bar Keepers Friend® or a wet blue Scotch Brite®* pad to maintain a uniform appearance. For tougher stains, a green Scotch Brite pad can be used.

Spills and Stains: While most everyday spills can be removed with the cleaning techniques mentioned, some troublesome spills and stains such as food/hair dye, tea and fruit drinks may require more aggressive cleaning. These items can be removed with a solution of 50/50 bleach and water allowed to sit for 15 minutes, drained, and flushed with water. Follow with a general cleaner and flush with water. On factory matte finish, if you prefer, you can scrub with an abrasive cleanser.

Some Simple Precautions: **DO NOT** place hot pans directly from the burner or the oven into the GEMSTONE Solid Surface sink or bowl. Even though GEMSTONE Solid Surface can withstand sustained temperatures up to 225°F., prolonged or extreme heat could cause yellowing and/or cracking. **To prevent cracking due to extreme temperature differences, frozen foods should be placed on a mat or rack and not directly on the bottom of the sink to thaw.**

DO NOT use your sink for cutting or chopping items. Although minor cuts and scratches can be repaired, deep cuts will require the services of a professional, which is an extra expense.

DO NOT expose to extreme temperature fluctuations. **Boiling water should be drained into the sink with lukewarm water running.** Rapid changes in water temperature may cause cracking, this includes thawing frozen items.

Strong acids such as those found in drain cleaners, toilet bowl and oven cleaners should be used cautiously around GEMSTONE Solid Surfaces. If these items are accidentally spilled, wipe them up at once, flush with clear lukewarm water and wipe with a clean sponge.

Repairing Scratches: GEMSTONE solid surface sinks and bowls are usually supplied with a matte finish (unless specified otherwise) which is equivalent to sanding with 320 grit sandpaper or buffing with a wet #7448 Scotch Brite* pad. For removing superficial scratches use a wet Scotch Brite* scouring pad, available in most supermarkets, until the scratches are removed. Clean thoroughly with soap and water. Note: Deep scratches can be removed by first carefully sanding lightly with 120 grit sandpaper followed by 220- 320 grit sandpaper. Then use a wet #7448 Scotch Brite* pad to restore the finish. (available from industrial supply houses) Gloss Finish (not recommended) For any damage, contact your fabricator/installer to repair.

*Registered trademark of 3M Corp.

GEMSTONE Solid Surface Sink Warranty

The **GEMSTONE Residential Transferable Limited Warranty** provides the homeowner assurance of standards and quality. GEMSTONE warrants to the original end-use purchaser that GEMSTONE will, at its option, repair or replace any GEMSTONE Solid Surface sink, reimburse the purchaser for the reasonable cost of repair or replacement, or refund the original purchase price if such product develops visible defects or otherwise fails due to GEMSTONE's manufacturing defects within (10) ten years after date of initial installation provided the sinks is installed in accordance to generally accepted fabrication techniques in solid surface or soft seamed to other hard surface materials. This is a manufactured product only warranty and does not cover products manufactured by other suppliers or manufacturers, nor does it cover fabrication, installation, or repair of GEMSTONE by an individual or company not recognized as qualified by GEMSTONE. For services under this warranty, you must notify GEMSTONE in writing, providing your name and address, a description of the products involved and the nature of the defect or failure, three pictures of the product, 1. Close-up picture of the issue, 2. Picture of the overall installation, 3. Picture of the production marks under the sink, and a copy of an acceptable proof of the date of initial installation. Repair or replacement shall include reasonable labor charges needed to repair or replace the defective product, but not the removal, repair, or replacement of fixtures, hardware or decorative treatments (such as floor, wall and ceiling treatments). Excessive travel expenses for repair to remote locations are not covered under this warranty and will be the responsibility of the homeowner. This residential warranty is transferable within the 10-year period only when the new owner submits to GEMSTONE (at the address below) proof of the original date of installation. Warranty transfer entitles the new owner to coverage for the remainder of the 10-year warranty period. GEMSTONE solid surface products must be handled, stored, installed, maintained, and used in accordance with instructions included with the product and / or provided by GEMSTONE. Copies of the Care, Cleaning and Maintenance Tips available from www.gemstoness.com/technical/warranty. This warranty does not include labor incurred for the disconnection, reconnection, removal or installation of plumbing, electric or cabinetry to necessitate access to the defective product.

The **GEMSTONE Commercial Limited Warranty** warrants that your GEMSTONE sinks will be free of material and manufacturing defects for a period of ten (10) years from the date of installation. This is a product only warranty and does not cover fabrication or installation and is not-transferable and is conditioned upon submission of proof of date of purchase. GEMSTONE sinks must be installed in accordance to traditionally accepted solid surface fabrication methods or soft seamed to other hard surfaces such as quartz or granite. GEMSTONE or its agent, may, elect to repair the defective product. It is understood that GEMSTONE has no obligation whatsoever to perform such a repair, but may, at its option do so. In such a case, Except for the repair obligation, GEMSTONE is not responsible for punitive damages, incidental repairs or liability for any other loss, damage or expense, arising out of or in connection with GEMSTONE or its installation.

This Warranty does not cover:

1. Product not paid in full.
2. Minor conditions such as stains, scratches, water spots and burns, which due to the unique properties of GEMSTONE Solid Surface products may be corrected by scouring with an abrasive cleanser or by other techniques specified in the cleaning and care instruction
3. Failure or dissatisfaction with the appearance of joints or seams or any adhesive caulk or other accessory items.
4. Dissatisfaction with your color selection after or during installation.
6. Discoloration or blushing of material due to improper care and / or cleaning methods.
7. Failure due to any non-compliance with GEMSTONE's Care, Cleaning and Maintenance Tips guide.
8. Failures from, but are not limited to, failure due to exposure to chemical abuse (e.g., harsh solvents and cleansers), thermal abuse (e.g., excessive heat from appliances, extremes of temperature), physical abuse (e.g., impact by kitchen utensils, dropping of heavy objects on countertops or in the sink, standing on countertops) "Excessive heat" means exposure to such a degree of heat that cracks, white marks or rings appear on or in the product. "Physical abuse" includes, but is not limited to, damage caused by acts of vandalism, failures caused by settling of cabinets or substructure, flexing of substructure, cabinets or countertop. Any failure due to acts of nature. "Acts of nature" include but are not limited to, exposure to the outdoors, effects of weather and fire.
9. Use or purposes other than normal interior use in the United States or Canada.
10. Any products moved from their original place of installation
11. Damage due to improper installation of the product, or any plumbing, drains, hardware or other attachments.
12. This warranty does not cover any damage to GEMSTONE products caused by or arising from improperly installed, used or maintained appliances (including garbage disposals, over 3/4 H.P., or any disposal so installed as to create excessive vibration, or installation of an instant hot water producing / dispensing appliance in GEMSTONE sinks or bowls.) which are installed in GEMSTONE or stored or placed on GEMSTONE.
13. This warranty covers only professionally installed products. Products purchased in retail outlets "in carton" for consumer installation should be returned to the retailer from whom you purchased the product.

To obtain service under this warranty, contact GEMSTONE by writing or calling to the address or numbers listed below. Please include your name, address, a phone number where you may be contacted during the day, a description of the problem. We will respond to all inquiries within 30 days of our receipt of your request. During the complete 10-year warranty period, GEMSTONE'S obligation as to replacement or repair shall be limited to replacement or repair with colors and style(s) of product that are available at the time of replacement or repair.

GEMSTONE'S OBLIGATION UNDER THIS WARRANTY IS LIMITED TO THE REMEDIES SPECIFIED IN THE FIRST SECTION OF THIS WARRANTY. NO IMPLIED OR EXPRESS WARRANTY IS OF MERCHANTABILITY OR FITNESS OR A PARTICULAR USE OR ANY OTHER WARRANTY EXCEPT THOSE SPECIFICALLY STATED IN THIS WARRANTY OR REQUIRED BY THE LAW GRANTED. EXCEPT FOR THE REMEDIES DESCRIBED IN THIS WARRANTY, GEMSTONE HAS NO LIABILITY FOR ANY LOSS OR ANY DAMAGES, ARISING OUT OF THE USE OR INABILITY TO USE GEMSTONE SOLID SURFACE PRODUCTS. THIS WARRANTY GIVES YOU SPECIFIC LEGAL RIGHTS. YOU MAY ALSO HAVE OTHER RIGHTS, WHICH WILL VARY FROM STATE TO STATE OR IN CANADA, FROM PROVINCE TO PROVINCE. FEDERAL LAW DOES NOT PERMIT THE DISCLAIMER OR MODIFICATION OF IMPLIED WARRANTIES ARISING UNDER APPLICABLE STATE LAW FOR CONSUMER PRODUCTS. HOWEVER, ANY OF SUCH IMPLIED WARRANTIES SHALL EXPIRE AT THE EARLIER OF THE EXPIRATION OF THE PERIOD OF THE IMPLIED WARRANTY REQUIRED UNDER STATE LAW. SOME STATES DO NOT ALLOW LIMITATIONS ON HOW LONG AN IMPLIED WARRANTY LASTS OR THE EXCLUSION OR LIMITATIONS OR THE LIMITATION OR INCIDENTAL OR CONSEQUENTIAL DAMAGES, SO THE ABOVE LIMITATIONS AND EXCLUSIONS MAY NOT APPLY TO YOU.

2040 Industrial Pkwy Elkhart, IN 46516 • 574-294-8899 or 877-233-7893

sales@gemstoness.com • www.gemstoness.com

GS TECH210720